

VERSO HI-POE

HI-POE SIDE OPENING POLYCARBONATE HOUSING

REVISION 1027



MAIN FEATURES

- HiPoE to power heater & network camera
- Integrated HiPoE splitter 24W, 12Vdc
- Standard cable Cat.5e
- Compatible with IEEE 802.3at/PoE Plus
- Entirely constructed from technopolymer (polycarbonate)
- Gigabit ready
- Weatherproof standard IP66/IP67 (with cable glands or with optional sealing rings)
- Version with reinforced cooling system
- Very good resistance to impacts (IK10)

DESCRIPTION

The VERSO Hi-PoE camera housing assures an easy plug and play mounting, system reliability, economical service and installation for the IP and Megapixel cameras, thanks to the benefits of High Power PoE (Power over Ethernet). This technology allows to feed the 12Vdc cameras as well as the heater directly from the Ethernet cable. No need to add external power sources or bring additional power cables into the enclosure.

If the network does not have Hi-PoE, you can add it by using the 1 channel Power Injector (accessory available as an option). In addition the system is compatible with the standard IEEE 802.3at/PoE Plus.

A special M20 cable gland allows a fast Ethernet connection/disconnection without cutting the RJ45 plug.

The VERSO Hi-PoE housing guarantees a total protection against all environmental conditions. Thanks to the side opening, the accessibility to the camera, lens and all its connections is made far easier.

Entirely constructed from the most resistant technopolymer, VERSO Hi-PoE provides a high impact resistance and weather protection from external agents and UV rays.

Its weatherproof feature is ensured by the neoprene-rubber gasket and the 3 cable glands.

VERSO Hi-PoE offers the possibility of various mounting options: wall or ceiling brackets (standard or full cable management) or P&T heads.

A specific version with a very efficient cooling system is available for installations with high environmental temperature.



VERSO HI-POE



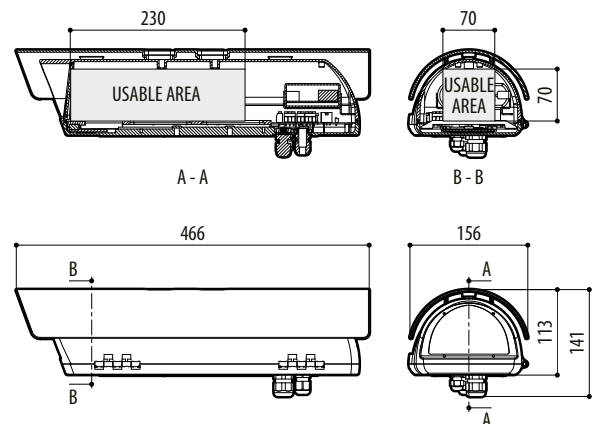
MOD. 616



POWER INJECTION



SPLITTER



VERSO HI-POE

mm 1:10

VERSO HI-POE

AVAILABLE MODELS			
Code	Sunshield	Heater	Blower with double air exchange filter
HPV42K2A600	•	•	
HPV42K2A616	•	•	•

TECHNICAL DATA

GENERAL

Entirely constructed from technopolymer (polycarbonate), RAL9002 colour
 Sunshield in ABS
 Stainless steel external screws
 Supplied with instruction manual, desiccant bag, accessories for camera and lens mounting

MECHANICAL

3 cable glands 1xM12 – 1xM16 – 1xM20
 Polycarbonate window (WxH): 105x64mm (4.1x2.5in)
 Internal usable area (WxH): 70x70mm (2.7x2.7in)
 Internal usable length with and without accessories: 230mm (9.0in)

ELECTRICAL

Available power for camera: 10W, 12Vdc
 Heater Ton 15°C±3°C (59°F±5°F) Toff 22°C±3°C (71°F±5°F)
 Blower with thermostat Ton 35°C±3°C (95°F±5°F) Toff 20°C±3°C (71°F±5°F) for version with double filter
 PoE IN: 10/100/1000Base-T
 Data OUT: 10/100/1000Base-T
 DC OUT: 12Vdc, external pole GND
 Compatible with the Power Injector (ref. OHEPOWINJ)

- 1 channel PoE supply PoE - LAN 10/100/1000Base-T
- IN AC 90/264Vac, 1A
- Operating temperature: 0°C/+40°C (32°F/104°F)

 Compatible also with the standard IEEE 802.3at/PoE Plus

ENVIRONMENT

Indoor / Outdoor
 Operating temperature: -20°C / +50°C (-4°F / +122°F)
 Very good resistance to the following chemical agents: basics, alcohols, gasses, hydrocarbon
 Good resistance: organic and inorganic acids, oils

Low resistance: solvents

CERTIFICATIONS

CE EN61000-6-3, EN60950-1, EN50130-4
 IP66/IP67 EN60529 with cable glands
 IP66/IP67 EN60529 with special gaskets and bracket with internal cable channel
 IP55 EN60529 with bracket with internal cable channel
 IP44 EN60529 with cooling blower and double air filter
 V1 fire-self extinguish compliance UL94
 Impact resistance IK10 EN62262

ACCESSORIES

OHPVS42A000 Sunshield
 OHEPOWINJ 1 ch. Hi-PoE Power Injector
 OWBIP3 Sealing rings kit (1xM12 – 1xM16 – 1xM20) to allow IP66/ IP67 protection for WBOVA2 and WCM4A2 brackets
 OHEGBB Weatherproof junction box IP55
 OSUPPIR Bracket for mounting 1 IR50/IRBD infrared illuminator

BRACKETS AND ADAPTORS

WBJA Wall bracket with ball joint
 WBOVA2 Wall bracket with internal cable channel
 WBOV3A2 Wall bracket with internal cable channel, support plate and integrated junction box
 WCM3A Ceiling bracket with ball joint
 WCM5A Ceiling bracket with ball joint
 WCM4A2 Ceiling bracket with internal cable channel
 WFWCA Column mount with ball joint

RELATED PRODUCTS

PTH300 Pan&Tilt series
 PTH900 Pan&Tilt series

SPARE PARTS

DOTHPV01 Cable glands, gaskets and screws kit
 OHPV42CS04 Complete upper body
 OBKFIL Replacement filter kit for double filter housing

PACKAGE							
Code	Unit weight		Package weight		Package dimensions (WxHxL)		Master carton unit
	kg	lb	kg	lb	cm	in	
HPV42K2A600	1.6	3.5	1.9	4.2	16.5x15.5x49.0	6.5x6.1x19.3	10