

MAIN FEATURES

Indoor / Outdoor

Entirely constructed from technopolymer (polycarbonate)

Side opening, easy camera servicing

Weatherproof standard IP66/IP67

Vandal-proof protection (IK10 impact resistance)

Different mounting options: standard bracket or cable management bracket or P&T

DESCRIPTION

Innovative housing designed to simplify installation and servicing, the VERSO ensures total protection against all environmental conditions. Thanks to the side opening, the accessibility to the camera, lens and all its connections is made far easier. This housing can accommodate a variety of cameras and lenses.

Entirely constructed from technopolymer, VERSO guarantees high impact resistance, weather protection from external agents and UV rays. The weatherproof feature is ensured by the neoprene-rubber gasket and by the three cable glands.

VERSO offers the possibility of various mounting options: wall or ceiling brackets (feedthrough and non-feedthrough) or Pan & Tilt head. A specific version with a very efficient cooling system is available for installation with IP cameras and for high environmental temperature.

A wide range of accessories, supplied factory installed or as a simple kit, is available: sunshield, heater kit, blower, camera power supply, heater fan-assistant or alarm tamper switch.



VERSO



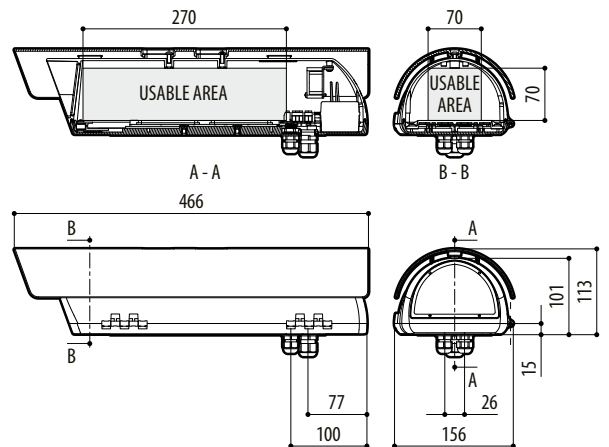
VERSO + CAMERA



MOD. 016-017

AVAILABLE MODELS

Code	Sunshield	Heater 115/230Vac	Heater 12Vdc/24Vac	Fan assisted heater 24Vac	12Vdc blower with double air exchange filter	24Vac blower with double air exchange filter	Max consumption
HPV42D0A000							
HPV42K0A000	•						
HPV42K0A016	•					•	4W
HPV42K0A017	•				•		4W
HPV42K1A000	•	•					40W
HPV42K2A000	•		•				20W
HPV42K2A015	•			•			24W
HPV42K2A016	•		•			•	24W
HPV42K2A017	•		•		•		24W



VERSO

mm 1:10

TECHNICAL DATA

GENERAL

Entirely constructed from technopolymer (polycarbonate)
 Sunshield in ABS
 RAL9002 Colour
 Stainless steel external screws
 Supplied with instruction manual, desiccant bag, accessories for camera and lens mounting

MECHANICAL

3xM16 cable glands
 Polycarbonate window (WxH): 105x64mm (4.1x2.5in)
 Internal usable area (WxH): 70x70mm (2.7x2.7in)
 Internal usable length with and without accessories: 270mm (10.6in)

ELECTRICAL

Heater Ton 15°C±3°C (59°F±5°F) Toff 22°C±3°C (71°F±5°F)
 • IN 12Vdc/24Vac, consumption 20W max
 • IN 115/230Vac, consumption 40W max

Heater fan assistant, continuous duty
 • IN 12Vdc, consumption 4W max
 • IN 24Vac, consumption 4W max
 • IN 100-240Vac, consumption 4W max, with wide range power supply IN 100-240Vac/12Vdc

Blower with thermostat air filter, Ton 35°C±3°C (95°F±5°F) Toff 20°C±3°C (71°F±5°F) with wide range power supply IN 100-240Vac - OUT 12Vdc, out 1A
 • IN 110-240Vac, consumption 4W max

Blower with thermostat Ton 35°C±3°C (95°F±5°F) Toff 20°C±3°C (71°F±5°F) for version with double filter
 • IN 12Vdc, consumption 4W max
 • IN 24Vac, consumption 4W max

Camera power supply
 • IN 100-240Vac - OUT 12Vdc, 50/60 Hz, 1A
 • IN 230Vac - OUT 24Vac, 50/60Hz, 400mA

ENVIRONMENT

Indoor / Outdoor
 Operating temperature with heater: -20°C / +60°C (-4°F / +140°F)
 Very good resistance to the following chemical agents: basics, alcohols, gasses, hydrocarbon
 Good resistance: organic and inorganic acids, oils
 Low resistance: solvents

CERTIFICATIONS

CE EN61000-6-3, EN60950-1, EN50130-4
 IP66/IP67 EN60529 with cable glands
 IP66/IP67 EN60529 with special gaskets and bracket with internal cable channel
 IP55 EN60529 with bracket with internal cable channel
 IP44 EN60529 with cooling blower and double filter
 V1 fire-self extinguish compliance UL94
 Impact resistance IK10 EN62262

ACCESSORIES

OHPVS42A000	Sunshield
OHEH26	Heater 115/230Vac
OHEH27	Heater 12Vdc/24Vac
OHPVV1	Heater fan assisted, continuous duty IN 12Vdc
OHPVV2	Heater fan assisted, continuous duty IN 24Vac
OHPVV3	Heater fan assisted, continuous duty IN 100-240Vac
OHPVCF3	Blower with thermostat air filter IN 110/240Vac
OHEPS19B	Wide range camera power supply IN 100-240Vac - OUT 12Vdc, 1A
OHEPS20	Camera power supply IN 230Vac - OUT 24Vac, 400mA
OHEGBPS1B	Wide range camera power supply IN 100-240Vac - OUT 12Vdc in weatherproof box, 1A
OHEGBPS2B	Camera power supply IN 230Vac - OUT 24Vac in weatherproof box, 400mA
OHPVTA1	Tamper switch on board with tamper proof screws and key
OWBIP2	Kit special gaskets (3xM16) to allow protection IP66/ IP67 for WBOVA2 and WCM4A2 brackets
OHEGBB	Weatherproof junction box, IP55
OSUPPIR	Bracket for mounting 1 IR50/IRBD infrared illuminator

BRACKETS AND ADAPTORS

WBJA	Wall bracket with ball joint
WBOVA2	Wall bracket with internal cable channel
WBOV3A2	Wall bracket with internal cable channel, support plate and integrated junction box
WCM3A	Ceiling bracket with ball joint
WCM5A	Ceiling bracket with ball joint
WCM4A2	Ceiling bracket with internal cable channel
WFWCA	Column mount with ball joint

RELATED PRODUCTS

PTH300	Pan&Tilt series
PTH900	Pan&Tilt series

SPARE PARTS

DOTHPV01	Cable glands, gaskets and screws kit
OHPV42CS04	Complete upper body
OBKFIL	Replacement filter kit for double filter housings

PACKAGE

Code	Unit weight		Package weight		Package dimensions (WxHxL)		Master carton unit
	kg	lb	kg	lb	cm	in	
HPV42K	1.5	3.3	1.8	3.9	16.5x15.5x49.0	6.5x6.1x19.3	10