

VERSO COMPACT

COMPACT MODEL

REVISION 1027



MAIN FEATURES

Indoor / Outdoor

Entirely constructed from technopolymer (polycarbonate)

Side opening, easy camera servicing

Weatherproof standard IP66/IP67

Vandal-proof protection (IK10 impact resistance)

Different mounting options: standard bracket or cable management bracket or P&T

DESCRIPTION

Innovative housing, designed to simplify installation and servicing, VERSO COMPACT ensures total protection against all environmental conditions for standard cameras and small compact zoom lenses. Thanks to the side opening, the accessibility to the camera, lens, and all its connections is made far easier. Entirely constructed from technopolymer, VERSO COMPACT guarantees high impact resistance, high weather protection from external agents and UV rays.

The weatherproof feature is ensured by the neoprene-rubber gasket and by the three cable glands.

VERSO COMPACT offers various mountings modes: wall, top mount, standard or cable management bracket or Pan & Tilt head.

A wide range of accessories is available: sunshield, heater kit, camera power supply and heater-fan assistant. The accessories are supplied factory installed or as a simple upgrade kit.



VERSO COMPACT



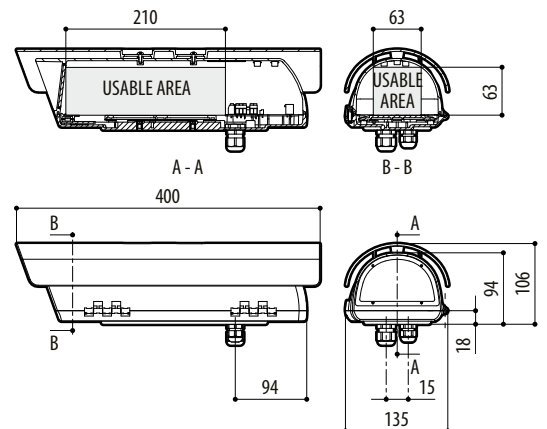
VERSO COMPACT + CAMERA



VERSO COMPACT + WB0VA2



VERSO COMPACT + WBJA



VERSO COMPACT

mm 1:10

VERSO COMPACT

AVAILABLE MODELS					
Code	Sunshield	Heater 115/230Vac	Heater 12Vdc/24Vac	Fan assisted heater 24Vac	Max consumption
HPV36D0A000B					
HPV36K0A000B	•				
HPV36K1A000B	•	•			40W
HPV36K2A000B	•		•		20W
HPV36K2A015B	•			•	24W

TECHNICAL DATA

GENERAL

Entirely constructed from technopolymer (polycarbonate)

Sunshield in ABS

RAL9002 Colour

Stainless steel external screws

Supplied with instruction manual, desiccant bag, accessories for camera and lens mounting

MECHANICAL

2xM16 cable glands

Polycarbonate window (WxH): 98x55mm (3.9x2.2in)

Internal usable area (WxH): 63x63mm (2.5x2.5in)

Internal usable length with and without accessories: 210mm (8.3in)

ELECTRICAL

Heater Ton 15°C±3°C (59°F±5°F) Toff 22°C±3°C (71°F±5°F)

- IN 12Vdc/24Vac, consumption 20W max
- IN 115/230Vac, consumption 40W max

Heater fan assistant, continuous duty

- IN 12Vdc, consumption 4W max
- IN 24Vac, consumption 4W max
- IN 100-240Vac, consumption 4W max, with wide range power supply IN 100-240Vac/12Vdc

Camera power supply

- IN 100-240Vac - OUT 12Vdc, 50/60 Hz, 1A
- IN 230Vac - OUT 24Vac, 50 Hz, 400mA

ENVIRONMENT

Indoor / Outdoor

Operating temperature with heater: -20°C / +60°C (-4°F / +140°F)

Very good resistance to the following chemical agents: basics, alcohols, gasses, hydrocarbon

Good resistance: organic and inorganic acids, oils

Low resistance: solvents

CERTIFICATIONS

CE EN61000-6-3, EN60950-1, EN50130-4

IP66/IP67 EN60529 with cable glands

IP66/IP67 EN60529 with special gaskets and bracket with internal cable channel

IP55 EN60529 with bracket with internal cable channel

V1 fire-self extinguish compliance UL94

Impact resistance IK10 EN62262

ACCESSORIES

OHPVS36A000B Sunshield

OHEH26 Heater 115/230Vac

OHEH27 Heater 12Vdc/24Vac

OHPVV1 Heater fan assistant, continuous duty, IN 12Vdc

OHPVV2 Heater fan assistant, continuous duty, IN 24Vac

OHPVV3 Heater fan assistant, continuous duty, IN 100/240Vac

OHEPS19B Wide range camera power supply IN 100-240Vac - OUT 12Vdc, 1A

OHEPS20 Camera power supply IN 230Vac - OUT 24Vac, 400mA

OWBIP2 Kit special gaskets (3xM16) to allow protection IP66/IP67 for WBOVA2 and WCM4A2 brackets

OHEGGB Weatherproof junction box, IP55

OSUPPIR Bracket for mounting 1 IR50/IRBD infrared illuminator

BRACKETS AND ADAPTORS

WBJA Wall bracket with ball joint

WBMA Wall bracket with ball joint

WBOVA2 Wall bracket with internal cable channel

WBOV3A2 Wall bracket with internal cable channel, support plate and integrated junction box

WCM3A Ceiling bracket with ball joint

WCM5A Ceiling bracket with ball joint

WCM4A2 Ceiling bracket with internal cable channel

WFWCA Column mount with ball joint

RELATED PRODUCTS

PTH300 Pan&Tilt series

SPARE PARTS

DOTHPV02 Cable glands, gaskets and screws kit

OHPV36CS04 Complete upper body

PACKAGE							
Code	Unit weight		Package weight		Package dimensions (WxHxL)		Master carton unit
	kg	lb	kg	lb	cm	in	
HPV36K	1.1	2.4	1.4	3.1	15.15x14x43	6.1x5.5x16.9	10