

ULISSE MAXI

POSITIONING UNIT WITH XL-SIZED HOUSING

REVISION 0945



MAIN FEATURES

An integrated large-sized housing, P&T head and telemetry receiver

Adjustable counter-weights system for optimum balancing

Optical encoders for absolute positioning, high accuracy 0.02°

Continuous rotation

Variable speed: 0.1°-20°/s Pan and Tilt

IP66

Configuration through OSD (On Screen Display)

Multiprotocol

DESCRIPTION

The ULISSE MAXI has been specifically designed to fit some of the largest zoom lenses in the market. This positioning system integrates a large-sized housing, a high performance P&T head and telemetry receiver. The unit guarantees an optimal camera position in outdoor installations.

The rotation on the horizontal axis is continuous with a variable speed up to 20°/s while the amplitude on the vertical axis varies from +45° to -20° with a max speed of 20°/s. The ULISSE MAXI controls the functions of autopan and patrol with a tracking accuracy of 0.02° for preset positions upon recall. Patrol sequences can also be varied with different speed settings in order to customize a perfect patrol pattern.

The ULISSE MAXI also uses sensors on both Pan and Tilt axis for exact positioning in any condition. The unit is equipped with a thermostatically controlled heater. The built-in wiper does not interfere with the viewing range of the camera.

In addition to the OSD set-up, the system is equipped with an RS232 interface allowing the possibility to update to the latest firmware version

The positioning system is controlled through a RS485/RS422. The telemetry signal can be transmitted in an active way for chain configuration of several units together. Multiple communication protocols are embedded.

The ULISSE MAXI range offers a version with a built-in video compression module to allow IP control of all the PTZ functions and full integration into a network system.

The positioning unit can be used in several kinds of external installations, such as: harbour control, urban settings, stadiums, industries, prisons or military applications, and perimeter surveillance.



UPT1SLWA000



TESTED LENSES

	Models	Zoom
BOSCH	LTC3293/50	20X
FUJINON	C22x17B-S41	22X
COMPUTAR	H30Z1015 Series	-
TOKINA	TM50Z1040N	50X
ERNITEC	Q10Z25SPNA	25X
ERNITEC	Q30Z25SPNA	25X
PENTAX	H18Z	18X
PENTAX	H20Z	20X

TECHNICAL DATA

GENERAL

Built in aluminium and ABS
 Epoxy polyester powder painting, RAL9002 colour
 Top mount (OTT)
 Transmission through toothed belt
 Electronic limit switches
 Plug installation thanks to connector and easy replacement on-site
 Zero backlash
 Max weight camera+lens 4,5kg (9.9lb)
 Optical encoders for absolute positioning

MECHANICAL

3 cable glands M16
 Horizontal continuous rotation
 Vertical rotation +45° to -20°
 Variable pan speed: from 0.1° up to 20°/s
 Variable tilt speed: from 0.1° up to 20°/s
 Internal usable area: see drawings
 Glass window (WxH): 112x95mm (4.4x3.7in)
 Preset accuracy: 0.02°

ELECTRICAL/VIDEO

Input voltage:
 • 230Vac, 50/60Hz, 100W
 • 24Vac, 50/60Hz, 100W
 Absorbed current:
 • 230Vac, 0.4°
 • 24Vac, 4°
 Dimensions of input cables: AWG 16 (24Vac) -18 (120/230Vac)
 Dimensions of signal cables: AWG 20-26
 Alarm input: 10-35Vdc
 Clean contacts: max 50Vdc or 30Vac @ 1A
 Video line: coaxial cable (1Vpp, 750hm)
 Housing standard heater 24Vac, 20W max
 Housing wiper: 24Vac, 50/60Hz, 7W consumption max
 Camera power supply: 12Vdc, 800mA
 Lens power supply: 6-15Vdc, max 200mA
 Only polarity inversion lenses
 Autopan, Preset, Patrol
 250 max preset selectable (VIDEOTECH Macro Protocol)
 20 characters string for Area and Preset titling

COMMUNICATIONS

Configuration through OSD
 RS232 interface for PC control set-up and firmware upgrade
 Two RS485 ports for daisy chain configuration
 Addressable through dip-switch up 255 units

PROTOCOLS

AMERICAN DYNAMICS
 MACRO
 PELCO D
 VISTA

AMERICAN DYNAMICS, PELCO and VISTA are registered trademarks.

ULISSE may be interfaced with equipment not manufactured by VIDEOTECH. It is possible that the interface protocols have changed or are in a different configuration from earlier tested units. VIDEOTECH recommends a bench test prior to installation. VIDEOTECH will not be liable for any installation costs or lost revenues in the event a compatibility problem will occur.

ENVIRONMENT

Indoor / Outdoor
 Operating temperature with heater: -10°C / +60°C (+14°F / +140°F)
 Improved surge immunity: up to 2KV line to line, up to 4KV line to earth (Class 4), to achieve a better protection from lightning

CERTIFICATIONS

CE EN60950-1, EN61000-6-3 and EN50130-4
 FCC part 15, Class B
 IP66 EN60529

ACCESSORIES

UPTJBUL Junction weatherproof box for cables connexion (according UL norm)
 UPTWAS01C Tank 23l (6gal) with pump, 230Vac
 UPTWAS02C Tank 23l (6gal) with pump, 24Vac
 UPTWASA01C Tank 23l (6gal) with pump, high delivery up to 30m(98ft), 230Vac

BRACKETS AND ADAPTORS

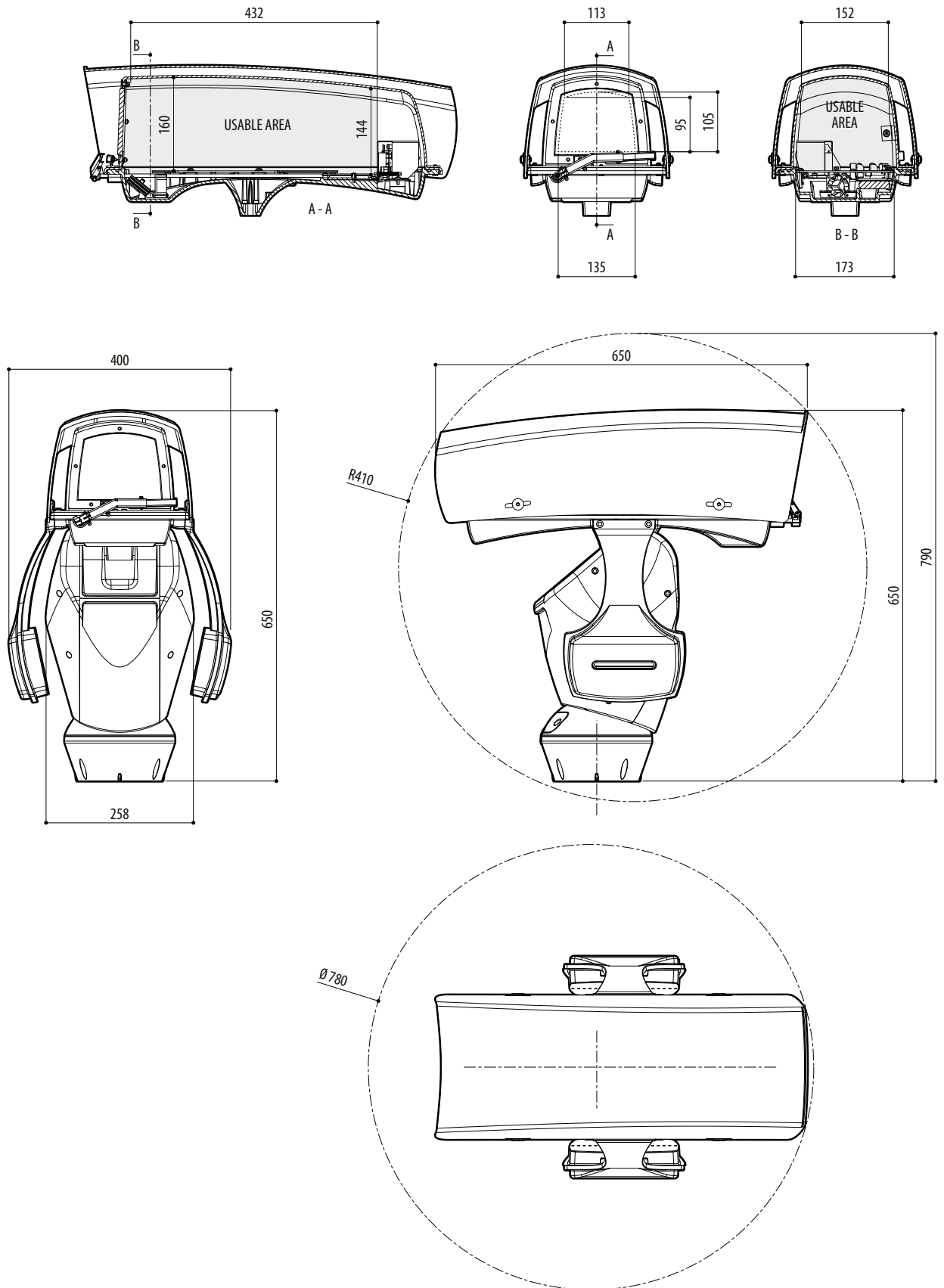
UPTWBA Wall bracket with internal cable channel
 UPTWBTA Parapet bracket with internal cable channel
 WCWGC Corner adapter for UPTWBA

RELATED PRODUCTS

ALBERT Unit for the intelligent digital video content analysis
 SM42B-SM82B Matrix 4/8 inputs and 2 outputs
 SM84B-SM164B Matrix 8/16 inputs and 4 outputs
 SM328B Matrix 32 inputs and 8 outputs
 DCJ Keyboard to control matrix, multiplexers and telemetry equipped with three axis joystick
 DCT Touch screen keyboard to control matrix, multiplexers, DVRs and telemetry equipped with three axis joystick

PACKAGE

Code	Unit weight		Package weight		Package dimensions (WxHxL)		Master carton unit
	kg	lb	kg	lb	cm	in	
UPT1SLWA00C	30.0	66.1	38.0	83.8	76.0x41.0x67.0	30.0x16.0x26.4	-



ULISSE MAXI