

# ULISSE IP

## INTEGRATED CAMERA POSITIONING SYSTEM IP BASED

REVISION 1115



### MAIN FEATURES

IP based, total control from network

Dual MPEG-4 stream

25fps, Full D1

Video SW Management in bundle

Integrated WEB server

Compatible with major video management SW available in the market

Supported by Milestone Xprotect® Suite

### DESCRIPTION

The ULISSE IP is the first industry's high-performance IP-based positioning system specifically designed for outdoor installations. This positioning unit integrates a video streaming module, to allow the IP control of all the PTZ functions. All video and telemetry analog signals are converted and sent through the network and is controlled easily through a bundled software package.

The ULISSE IP is compatible with major video management SW available in the market. It is also controllable/configurable by WEB browser.

The system offers the highest video compression rate via MPEG-4 technology for live video. The max frame rate is 25fsp with max picture resolution Full D1. The recording is made directly on the PC hard disk.

It is possible to connect a joy-stick to the PC peripheral port for PTZ control.

This integrated unit has the advantage of an IP controlled system with the high performance and the perfect positioning needed for a surveillance application.

It is equipped with thermostatically controlled heater and sunshield assuring an optimal operating temperature.

The positioning unit can be used in several kinds of installations, such as: coast and border patrol, harbour control, urban settings, highway and traffic monitoring, stadiums, industries, prisons or military applications, and perimeter surveillance.



ULISSE IP

→ FOR ALL AVAILABLE VERSIONS: CHART □ 167

## TECHNICAL DATA

### GENERAL

Compression MPEG-4

Connection Ethernet port LAN 10/100T

Picture resolution:

- Full D1 (720x576)
- VGA (640x480)
- CIF (352x288)
- QCIF (176x144)

Image frame rate max 25fps at Full D1

Web Server

Built in aluminium and ABS

Epoxy polyester powder painting, RAL9002 colour

Electronic limit switches

Plug installation thanks to connector and easy replacement on-site

Zero backlash

Surge immunity: up to 2KV line to line, up to 4KV line to earth (Class 4)

### CERTIFICATIONS

CE EN60950-1, EN61000-6-3 and EN50130-4

FCC part 15, Class B

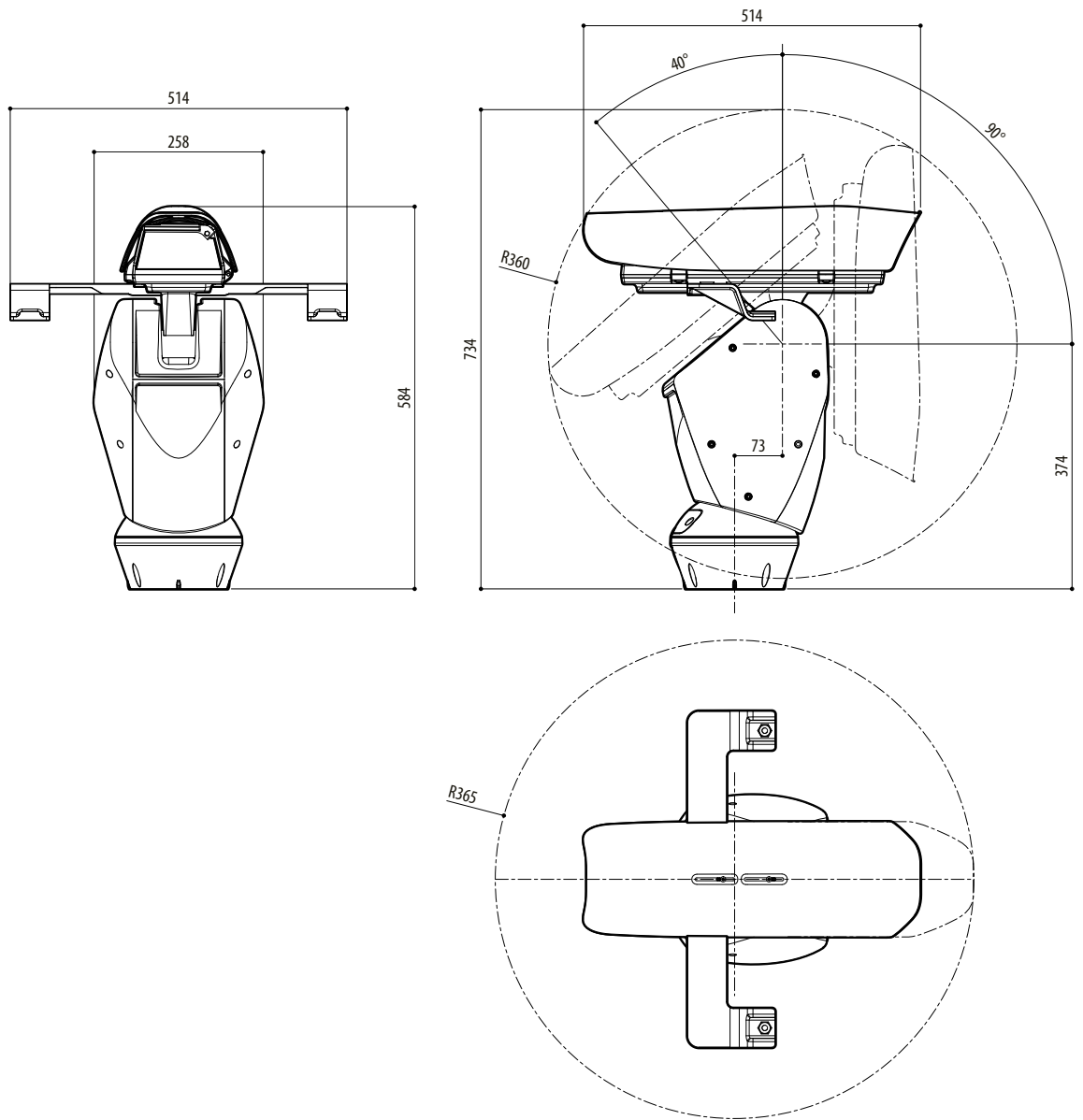
IP66 EN60529

NEMA 4X

*The specifications "Mechanical", "Electrical", "Accessories", "Related Products", "Environment" change according to the ULISSE version. Please refer to the data sheet relating to this version.*

### PACKAGE

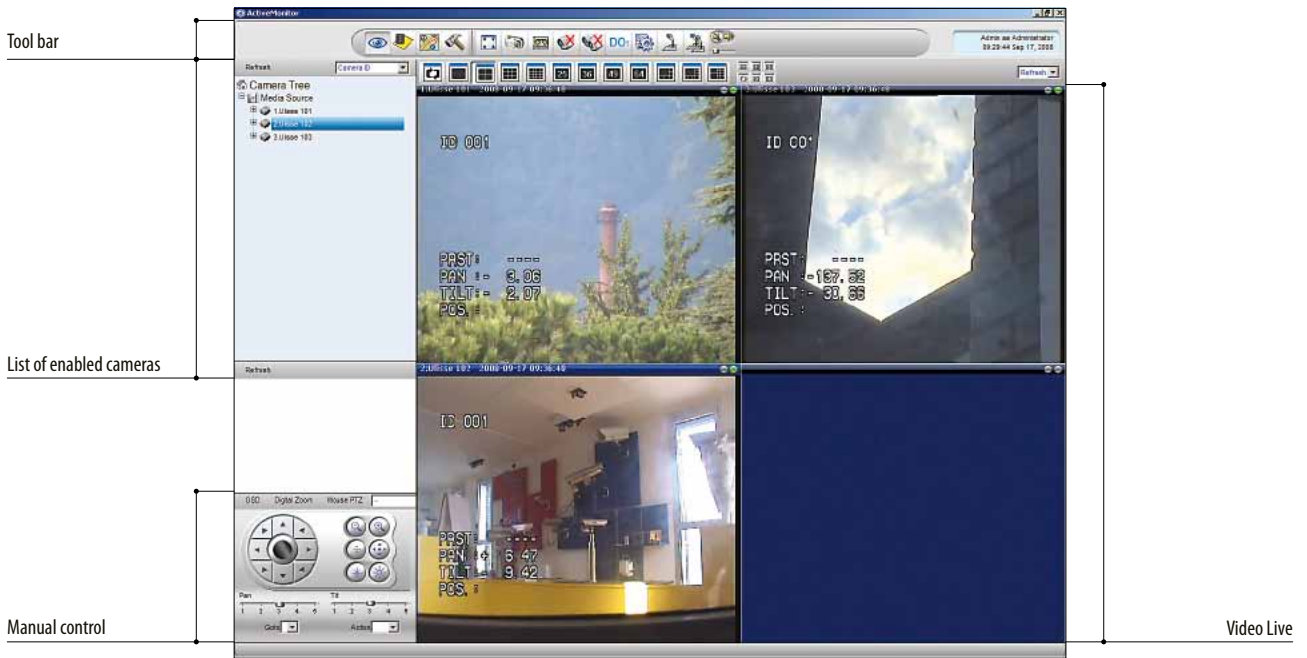
Code	Unit weight		Package weight		Package dimensions (WxHxL)		Master carton
	kg	lb	kg	lb	cm	in	unit
UPT1SVSAX00E	16.3	35.9	19.5	43.0	66.0x33.0x57.0	26.0x13.0x22.5	-
UPT1SVWAX00E	16.8	37.0	20.0	44.1	66.0x33.0x57.0	26.0x13.0x22.5	-
UPT1SVRAX00E	16.8	37.0	20.0	44.1	66.0x33.0x57.0	26.0x13.0x22.5	-
UPT1SVTAX00E	17.3	38.1	20.5	45.2	66.0x33.0x57.0	26.0x13.0x22.5	-
UPT1PVSAX00E	16.3	35.9	19.5	43.0	66.0x33.0x57.0	26.0x13.0x22.5	-
UPT1PVWAX00E	16.8	37.0	20.0	44.1	66.0x33.0x57.0	26.0x13.0x22.5	-
UPT1PVRAX00E	16.8	37.0	17.3	38.1	66.0x33.0x57.0	26.0x13.0x22.5	-
UPT1PVTAX00E	17.3	38.1	20.5	45.2	66.0x33.0x57.0	26.0x13.0x22.5	-



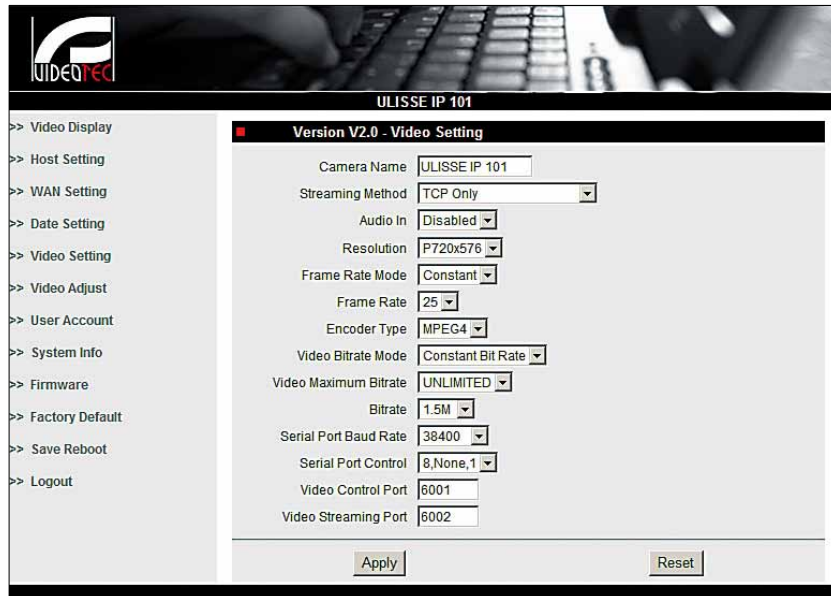
ULISSE IP

mm 1:10

SOFTWARE AND SETUP



SCREEN EXAMPLE OF CONTROL SOFTWARE



SCREEN EXAMPLE OF BROWSER CONFIGURATION