

ULISSE COMPACT

COMPACT POSITIONING UNIT WITH BUILT-IN CAMERA

REVISION 1104



MAIN FEATURES

Compact unit with integrated Day/Night camera, P&T head and telemetry receiver

Variable speed: 0.1°-200°/s Pan and 0.1°-200°/s Tilt

Pan rotation: continuous; Tilt rotation -90°/+90°

36x, 28x, 18x or 10x optical zoom capability

Dynamic video masking of different areas

Day/night (Auto ICR: automatic removal of IR filter)

RS485/ RS422 serial interface for control from PC

Remote firmware upgrade

Versions with built-in wiper

Versions with built-in infrared LED illuminator

DESCRIPTION

ULISSE COMPACT integrates a high-performance Pan-and-Tilt telemetry receiver and a Day/Night camera. ULISSE COMPACT offers continuous, high-speed rotation, positioning precision, superior image quality, utmost sturdiness and simplified system configuration.

Speed reaches 200°/s in continuous horizontal rotation, with vertical range between -90° to +90°. ULISSE COMPACT manages the preset, auto-pan and patrol functions with an accuracy of 0.05°. Furthermore the unit performs a continuous control of its position to verify the correct positioning of the camera at any time; this is a very useful function in case of difficult environmental conditions.

The integrated SONY camera offers a selection from different zoom lenses, 36x, 28x, 18x or 10x, which allow recording with exceptional precision of both close-by and far away objects, as well as dynamic privacy zone masking. Furthermore, the Super HAD II™ guarantees an excellent sensitivity in poorly lit environments (10x and 28x).

ULISSE COMPACT is also offered with the integrated IR LED lamp option or with a built-in wiper. Available in 24, 230 or 120Vac, and in PAL or NTSC mode*.

Besides the OSD configuration, the system is equipped with an RS485/RS422 interface for complete system control and for the updating in remote mode of the latest firmware version. The simplified set-up software interface offers typical preset configurations or the possibility to customize the complete system.

ULISSE COMPACT is the ideal solution for demanding safety and monitoring applications such as: traffic and highways monitoring, coastal and harbour checks, borders, stadiums and industries surveillance, as well as surveillance of prisons, military installation and perimeter watching.

* The Part Number Configurator, "ULISSE COMPACT CONFIGURATOR", is available at www.videotec.com under Products/Positioning Units/ULISSE COMPACT.



ULISSE COMPACT



ULISSE COMPACT + IR LED

→ FOR ALL AVAILABLE VERSIONS: CHART 164

ULISSE COMPACT

TECHNICAL DATA

GENERAL

Constructed from aluminium and tecnopolymer
 Epoxy polyester powder painting, RAL9002 colour
 Easy installation thanks to the self-centring connector
 Zero backlash
 Quick configuration and setup
 Dynamic positioning control system

MECHANICAL

2 cable glands M16 and 2 cable glands M12
 Horizontal continuous rotation
 Vertical rotation -90° to +90°
 Variable pan speed: from 0.1° up to 200°/s
 Variable tilt speed: from 0.1° up to 200°/s
 Preset accuracy: 0.05°

ELECTRICAL/VIDEO

Input voltage:

- 230Vac, 50/60Hz,
- 24Vac, 50/60Hz
- 120Vac, 50/60Hz

Current consumption:

- 230Vac, 0.4A
- 24Vac, 4A
- 120Vac, 0.8A

Power consumption:

- 40W with pan-and-tilt stopped and heating switched off
- 60W in motion, with heating switched off
- 125W peak at start-up, with heating switched on
- 15W switched on IR lamp

Input cables size: AWG 16-19

Signal cables size: AWG 16-30

Video line: coaxial cable (1Vpp, 750hm)

Functions: Autopan, Preset, Patrol, Tour (max 3), Autoflip

Maximum number of presets:

- AMERICAN DYNAMICS protocol: 95*
- ERNITEC protocol: 250
- PANASONIC protocol: 250
- PELCO D protocol: 99*
- VIDEOTEC MACRO protocol: 250
- *250 from OSD (On Screen Display) only

16-characters string for zone and preset titling

I/O alarm card (option):

- 6 alarm inputs
- 2 relays outputs (2A 30Vac/60Vdc max)

Built-in IR LED illuminator (option):

- 10° or 30° beam pattern for 36x and 28x cameras
- 30° beam pattern for 18x and 10x cameras
- Nr of LEDs: 9
- Wavelength: 850nm
- Built-in sensor for self-lighting, through external photocell or from control keyboard
- The camera and the light beam are factory aligned
- The pre-installed infrared illuminator does not slow down the P&T's rotation speed

COMMUNICATIONS

Configuration through OSD

Half-duplex serial RS485 interface, full-duplex RS422 and daisy-chain architecture

Firmware updating from console in remote mode (only VIDEOTEC MACRO and PELCO D protocols)

Up to 1023 units, addressable by means of dip-switches

PROTOCOLS

AMERICAN DYNAMICS, ERNITEC, PANASONIC, PELCO D, VIDEOTEC MACRO

AMERICAN DYNAMICS, ERNITEC, PANASONIC, PELCO are registered trademarks.

The product may be interfaced with devices not manufactured by VIDEOTEC. It is possible that the interface protocols have changed or are in a different configuration from earlier tested units by VIDEOTEC. VIDEOTEC recommends a test prior to installation. VIDEOTEC will not be liable for any installation costs or lost revenues in the event a compatibility problem will occur.

ENVIRONMENT

Indoor / Outdoor

Operating temperature: -40°C / +60°C (-40°F / +140°F)

Surge immunity: up to 2KV line to line, up to 4KV line to earth (Class 4)

CERTIFICATIONS

CE EN60950-1, EN61000-6-3 and EN50130-4

FCC part 15, Class B

IP66 EN60529

UL pending

UL Canadian Safety Standards pending

NEMA 4X

ACCESSORIES

UCAC1 I/O alarm card

UPTWAS01C Tank 5l (1,3gal) 230Vac washer pump

UPTWAS02C Tank 5l (1,3gal) 24Vac washer pump

UPTWAS01C Tank 23l (6gal), IN 230Vac washer pump

UPTWAS02C Tank 23l (6gal), IN 24Vac washer pump

UPTWAS03C Tank 23l (6gal), IN 120Vac washer pump

UPTWASM Tank 23l, washer pump 230Vac-24Vac or 120Vac, delivery up 11m (36ft)

UPTWAS01C Tank 23l (6gal), IN 230Vac washer pump, high delivery up 30m (98ft)

UPTWAS03C Tank 23l (6gal), IN 120Vac washer pump, high delivery up 30m (98ft)

BRACKETS AND ADAPTORS

UPTWBA Wall bracket with internal cable channel

UPTWBTA Parapet bracket with internal cable channel

PTCC1 Pole mount adapter for UPTWBA

WCWGC Corner adapter for UPTWBA

UCCMA Ceiling bracket mount for upside down working of ULISSE COMPACT

RELATED PRODUCTS

ALBERT Unit for the intelligent digital video content analysis

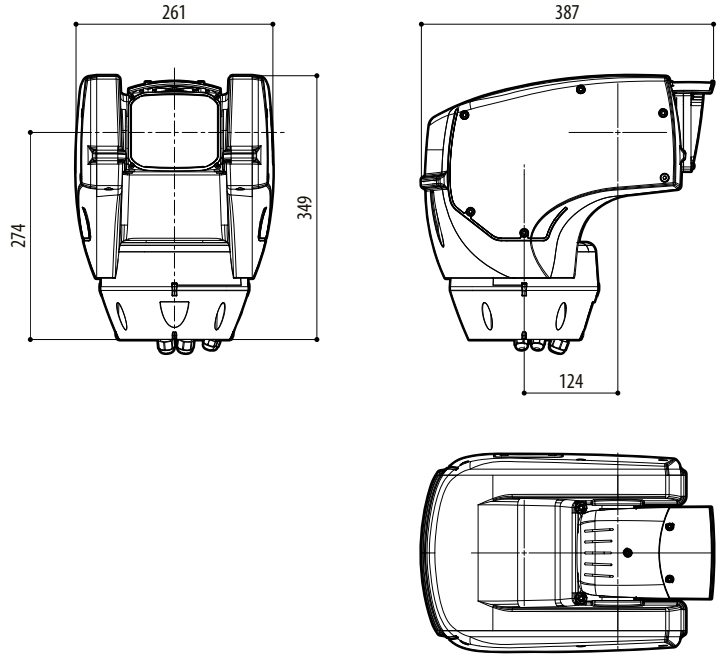
DCJ Keyboard to control matrix, multiplexers and telemetry equipped with three axis joystick

DCT Touch screen keyboard to control matrix, multiplexers, DVRs and telemetry equipped with three axis joystick

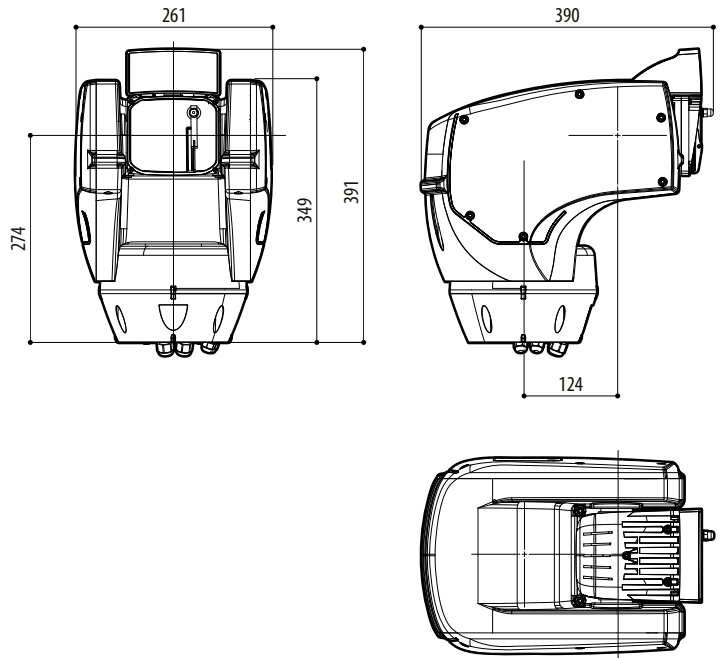
AVAILABLE CAMERAS								
	SONY Day/Night 36x		SONY Day/Night 28x High sensitivity		SONY Day/Night 18x		SONY Day/Night 10x High sensitivity	
	PAL	NTSC	PAL	NTSC	PAL	NTSC	PAL	NTSC
Optical zoom	36x		28x		18x		10x	
Wide Dynamic Range (Fix/Auto)	•		-		•		-	
Progressive SCAN	•		-		•		-	
Digital image stabilisation	•		•		-		-	
White balance	Auto, ATW, Indoor, Outdoor (Fix/Auto), Sodium Vapor Lamp (Fix/Auto)		Auto, ATW, Indoor, Outdoor (Fix/Auto), Sodium Vapor Lamp (Fix/Auto)		Auto, ATW, Indoor, Outdoor (Fix/Auto), Sodium Vapor Lamp (Fix/Auto)		Auto, ATW, Indoor, Outdoor	
High horizontal resolution	Up to 550 TV Lines		Up to 550 TV Lines		Up to 550 TV Lines		Up to 530 TV Lines	
Day-Night (Auto ICR)	•							
Image Sensor	1/4" EXView HAD CCD		1/4" Super HAD CCD II		1/4" EXview HAD CCD		1/3" Super HAD CCD II	
Number of effective Pixels	~ 440000 pixel	~ 380000 pixel	~ 440000 pixel	~ 380000 pixel	~ 440000 pixel	~ 380000 pixel	~ 440000 pixel	~ 380000 pixel
Min. night Illumination (ICR ON) (typical)	0.01 Lux / 1/3s	0.01 Lux / 1/4s	0.0015 Lux / 1/3s	0.0015 Lux / 1/4s	0.01 Lux / 1/3s	0.01 Lux / 1/4s	0.0004 Lux / 1/3s	0.0004 Lux / 1/4s
Min. day Illumination (ICR OFF) (typical)	0.1 Lux / 1/3s	0.1 Lux / 1/4s	0.16 Lux / 1/3s	0.16 Lux / 1/4s	0.04 Lux / 1/3s	0.04 Lux / 1/4s	0.015 Lux / 1/3s	0.015 Lux / 1/4s
"Shutter Time" automatic increase to improve the night surveillance	•							
S/N ratio	More than 50dB							
AE control	Auto, Shutter priority, Diaphragm priority, Brightness priority and Manual							
Back Light Compensation	On/Off							
Spherical masking (3D) of Privacy zones with automatic upgrade	•							
Privacy Zone Masking	On/Off (24 positions)							
Maximum number of masking blocks to be displayed	8							
Resolution of masking blocks	160x120 HxV							
Masking	Up to 15 different masking types: 14 colour types or mosaic		Up to 15 different masking types: 14 colour types or mosaic		Up to 15 different masking types: 14 colour types or mosaic		Up to 15 different masking types: 14 colour types or mosaic	
Focusing System	Auto (Sensitivity: Normal, Low), Trigger PTZ, Manual							
"Smart" Lens Control	SONY Modular Automatic Lens Reset Technology							
High Zoom and Wide Horizontal Field of View Capability	•		•		•		-	
Optical Zoom	36x, f=3.4 (wide) to 122.4mm (tele) / F1.6 to F4.5		28x, f=3.5 (wide) to 98mm (tele) / F1.35 to F3.7		18x, f=4.1 (wide) to 78.3mm (tele) / F1.4 to F3.0		10x, f=5.1 (wide) to 51.0mm (tele) / F1.8 to F2.1	
Digital Zoom	12x (432x with optical zoom)		12x (336x with optical zoom)		12x (216x with optical zoom)		12x (120x with optical zoom)	
Angle of View (A)	57.8 degrees (wide) to 1.7 degrees (tele)		55.8 degrees (wide) to 2.1 degrees (tele)		48 degrees (wide) to 2.8 degrees (tele)		52 degrees (wide) to 5.4 degrees (tele)	
Min. Object Distance	320mm (wide) to 1500mm (tele)		10mm (wide) to 1500mm (tele)		290mm (wide) to 800mm (tele)		15mm (wide) to 800mm (tele)	
Electronic Shutter Speed	1/1 ÷ 1/10000s							

SONY is a registered trademark of SONY Corporation, Japan. EXview HAD is a registered trademark of SONY Corporation.

ULISSE COMPACT



ULISSE COMPACT



ULISSE COMPACT IR

mm 1:10

PACKAGE

Code	Unit weight		Package weight		Package dimensions (WxHxL)		Master carton unit
	kg	lb	kg	lb	cm	in	
ULISSE COMPACT	12.5	27.6	16	35.3	66.0x33.0x57.0	26.0x13.0x22.5	-
ULISSE COMPACT + IR	13.0	28.7	16.5	36.4	66.0x33.0x57.0	26.0x13.0x22.5	-