

# PTH900

## STURDY OUTDOOR PAN & TILT

REVISION 0945



### MAIN FEATURES

Indoor / Outdoor installations

Aluminium painted with epoxy powder

Autopan function with delayed inversion

Optional Preset version

Weatherproof standard IP66

30kg load rating

### DESCRIPTION

The Pan & Tilt motors of this series are constructed from aluminium and painted with epoxy polyester powder RAL9002. They are suitable for medium loads (max 30kg) and for use in outdoor and medium-duty applications.

They allow a maximum horizontal rotation of 345°, vertical 350° and are equipped with an automatic function of delayed inversion in the horizontal movement; the rotation amplitude is easily adjustable by means of the horizontal and vertical limit switches.

PTH910SA and PTH911SA versions are equipped with motor heaters for installation in severe environments. PTH910P and PTH911P versions are equipped with a potentiometer, which allow the preset to be activated by means of our telemetry systems.

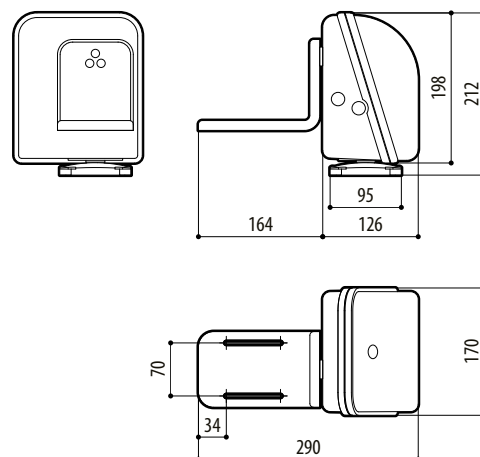
Wide range of controllers are available, ranging from CBZ to the microprocessor controlled telemetry receivers and to the most advanced control keyboards of the range.



PTH900



PTH900 + HEG37K + VIP6A + WFWBTA + PTBC



PTH900

mm 1:10

## PTH900

| AVAILABLE MODELS |              |         |        |        |                 |
|------------------|--------------|---------|--------|--------|-----------------|
| Code             | Power supply | Autopan | Preset | Heater | Max consumption |
| PTH910           | 230Vac       | •       |        |        | 26W             |
| PTH911           | 24Vac        | •       |        |        | 26W             |
| PTH910P          | 230Vac       | •       | •      |        | 26W             |
| PTH911P          | 24Vac        | •       | •      |        | 26W             |
| PTH910SA         | 230Vac       |         |        | •      | 66W             |
| PTH911SA         | 24Vac        |         |        | •      | 46W             |

## TECHNICAL DATA

## GENERAL

Constructed from corrosion-proof aluminium  
 Epoxypolyester powder painting, RAL9002 colour  
 Stainless steel screws  
 Mounting position normal/reverse  
 Supplied with side bracket for camera housing, accessories for mounting and instruction manual

## MECHANICAL

Dimension: 120x168x192mm (4.7x6.6x7.6in)  
 Maximum load: 30kg (66lb) (balanced)  
 0-345° horizontal plane movement  
 6°/s fixed horizontal speed  
 Pan Static Torque: 11Nm  
 Pan Dynamic Torque 30 Nm at specified voltage  
 Internally adjustable horizontal limit switches  
 0-350° vertical plane movement  
 3°/s fixed vertical speed  
 Tilt Static Torque: 22Nm  
 Tilt Dynamic Torque 60 Nm at specified voltage  
 Backlash: Pan 0.17°, Tilt 0.07°  
 Internally adjustable vertical limit switches  
 1 PG11 cable gland and 1 blanking cap for PTH900 and PTH900SA models  
 2 PG11 cable glands for PTH900P models

## ELECTRICAL

Power supply 24/230Vac  
 Horizontal motor consumption 13W max  
 Vertical motor consumption 13W max  
 Standard Autopan (not PTH900SA)  
 Preset potentiometer linear 5Kohm multitrans (5 turns) (only for PTH910P / PTH911P)  
 Heater
 

- PTH911SA 24Vac, consumption 20W max
- PTH910SA 230Vac, consumption 40W max

## PACKAGE

| Code   | Unit weight |      | Package weight |      | Package dimensions (WxHxL) |              | Master carton unit |
|--------|-------------|------|----------------|------|----------------------------|--------------|--------------------|
|        | kg          | lb   | kg             | lb   | cm                         | in           |                    |
| PTH900 | 5.6         | 12.3 | 6.0            | 13.2 | 17.5x27.0x23.5             | 6.9x10.6x9.3 | 6                  |

## ENVIRONMENT

Indoor / Outdoor  
 Operating Temperature: -20°C / +50°C (-4°F / 122°F) for PTH900 and PTH900P  
 Operating Temperature: -40°C / +50°C (-40°F / 122°F) for PTH900SA  
 Resistant to salty fog until 1000 hours (according to ISO9227)

## CERTIFICATIONS

CE EN61000-6-3, EN50130-4, EN60065  
 IP66 EN60529

## BRACKETS AND ADAPTORS

PTBC Wall bracket for PTH900 P&T  
 PTDC Ceiling bracket for PTH P&T series  
 PTPC Top pole bracket for PTH P&T series  
 WFWBTA Column bracket for PTH P&T series

## RELATED PRODUCTS

CBZ220 Unit for direct control of one PTH910  
 CBZ24 Unit for direct control of one PTH911  
 MICRODEC485 Telemetry receiver 8 functions for PTH911  
 DTMRX2 Telemetry receiver 12 functions for PTH910  
 DTMRX224 Telemetry receiver 12 functions for PTH911  
 DTRX3 Telemetry receiver 17 functions for series PTH300 + preset  
 DTRX324 Telemetry receiver 17 functions for PTH311 + preset  
 Housing: HEG, HEP, HOV, HEB

## SPARE PARTS

OPHMAN Maintenance kit  
 DOTPTH900 Installation kit for P&T PTH900