

PTH355P

VARIABLE SPEED PAN & TILT

REVISION 0945



MAIN FEATURES

Indoor / Outdoor installations

Die-cast aluminium painted with epoxy powder

12kg load rating

Variable speed0.

Weatherproof standard IP66

DESCRIPTION

The PTH355P Pan & Tilt motor is suitable for medium duty outdoor installations with loads up to 12kg balanced. It is constructed from aluminium construction protected by epoxy polyester painting RAL9002. It allows a maximum horizontal speed of 30°/s, a maximum vertical speed of 18°/s and a horizontal rotation of 345°, vertical 360°. Available in 24Vdc.

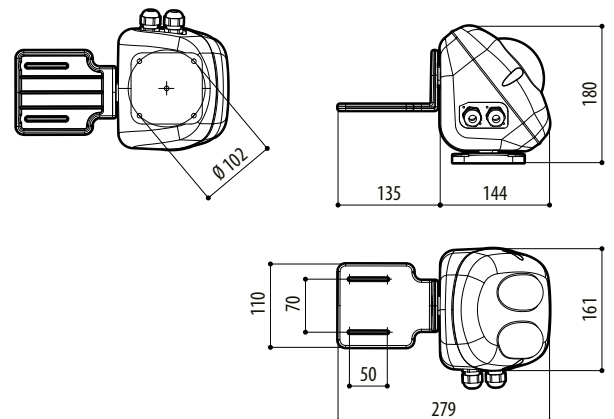
It is possible to utilize the preset functions by the telemetry systems and the PTH355P can be easily controlled through DCJ or DCT keyboards with the specific telemetry receiver DTRXDC.



PTH355P



PTH355P + HEA30K



PTH355P

mm 1:10

PTH355P

| AVAILABLE MODELS | | | | |
|------------------|--------------|---------|--------|-----------------|
| Code | Power supply | Autopan | Preset | Max consumption |
| PTH355P | 24Vdc | | • | 22W |

TECHNICAL DATA

GENERAL

Constructed from corrosion-proof aluminium
 Epoxypolyester powder painting, RAL9002 colour
 Stainless steel screws
 Mounting position normal/reverse
 Supplied with side bracket for camera housing, screws, accessories for mounting and instruction manual

MECHANICAL

Dimensions: 144x161x180mm (5.6x6.3x7in)
 Maximum load: 12kg (26lb) (balanced)
 0-345° horizontal plane movement
 Horizontal speed from 0 up to 30°/s
 Pan Torque: 6Nm
 Internally adjustable horizontal limit switches
 0-360° vertical plane movement
 Vertical speed from 0 up to 18°/s
 Tilt Torque: 6Nm
 Backlash: Pan 0.16°, Tilt 0.15°
 Internally adjustable vertical limit switches
 2 PG11 cable glands

ELECTRICAL

Power supply 24Vdc
 Horizontal motor consumption 11W max
 Vertical motor consumption 11W max
 Standard Preset
 Potentiometer Linear 5K0hm Multiturns (10 turns)
 Max distance to receiver DTRXDC: 15m (4.3ft) or 5m (16.4ft) with preset

ENVIRONMENT

Indoor / Outdoor
 Operating Temperature: -20°C / +50°C (-4°F / +122°F)
 Resistant to salty fog until 1000 hours (according to ISO9227)

CERTIFICATIONS

CE EN61000-6-3, EN50130-4
 IP66 EN60529

BRACKETS AND ADAPTORS

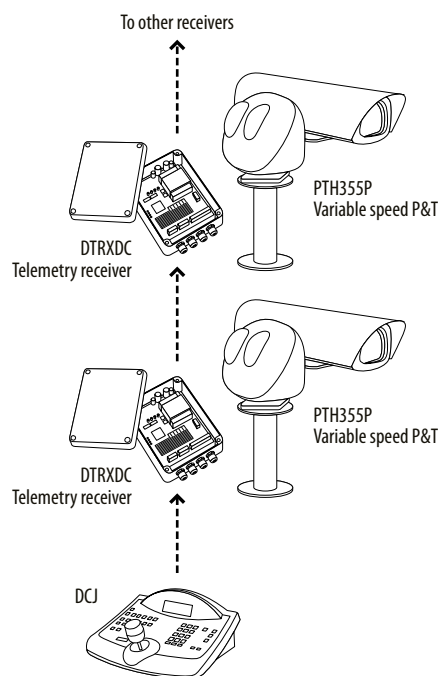
| | |
|--------|-------------------------------------|
| PTAC | Wall bracket for PTH300 P&T |
| PTDC | Ceiling bracket for PTH P&T series |
| PTPC | Top pole bracket for PTH P&T series |
| WFWBTA | Column bracket for PTH P&T series |

RELATED PRODUCTS

| | |
|-----------|--|
| DTRXDC | Telemetry receiver 13 functions |
| Housings: | HEA, HEB, HEK, HEM, HOV, HEP, VERSO, VERSO COMPACT |

SPARE PARTS

| | |
|-----------|---------------------------------|
| OPH3MAN | Maintenance kit |
| DOTPTH300 | Installation kit for P&T PTH300 |



---> Twisted pair RS485 (max distance 1200m / 3937ft) telemetry only

| PACKAGE | | | | | | | |
|---------|-------------|-----|----------------|-----|----------------------------|--------------|--------------------|
| Code | Unit weight | | Package weight | | Package dimensions (WxHxL) | | Master carton unit |
| | kg | lb | kg | lb | cm | in | |
| PTH355 | 3.6 | 7.9 | 4.0 | 8.8 | 17.5x27.0x23.0 | 6.9x10.6x9.0 | 6 |