

MAIN FEATURES

For indoor and outdoor installations

Constructed from aluminium, painted with epoxy powder

DESCRIPTION

PTAC

Wall mount for PTH300 and PTH355P Pan & Tilt motors, constructed from aluminium, painted with epoxy polyester powder RAL9002. It is suitable for mounting on any kind of surface.

PTBC

Wall bracket for PTH900 Pan & Tilt motor. Constructed from die-cast aluminium and painted with epoxy polyester powder RAL9002, it can be perfectly combined with PTCC1 pole adapter and WCWGC corner adapter.

PTPC

Top of pole adapter plate for PTH900, PTH300 and PTH355P Pan & Tilt motors. Constructed from 3mm-thick sheet steel and painted with epoxy polyester powder RAL9002, it ensures a firm fixing of the Pan & Tilt motor.

PTDC

Ceiling bracket for PTH900, PTH300 and PTH355P Pan & Tilt motors. Constructed from aluminium painted with epoxy polyester powder RAL9002, it ensures a firm fixing of the Pan & Tilt motor.

WFWBTA

Column bracket suitable for PTH900, PTH300 and PTH355P Pan & Tilt motors, constructed from aluminium and furnace painted with epoxy polyester powder RAL9002. It can be used with PTBC, WFWCA and PTAC brackets.



PTAC



PTBC



PTPC



PTDC



WFWBTA

P&T BRACKETS

BRACKETS AND P&T					
P&T	Wall		Ceiling	Top Pole	Column
	PTAC	PTBC	PTDC	PTPC	WFWBTA
PTH300	•		•	•	•
PTH355P	•		•	•	•
PTH900		•		•	•

TECHNICAL DATA

GENERAL

Constructed from die-cast aluminium
 Epoxypolyester powder painting, RAL9002 colour
 Constructed from steel (only PTPC)

MECHANICAL

PTAC
 Wall mounting or on modular adapters
 Load rating: 35kg (77lb)
 Length: 360mm (14.1in)

PTBC
 Wall mounting
 Load rating: 50kg (110lb)
 Length: 458mm (18in)

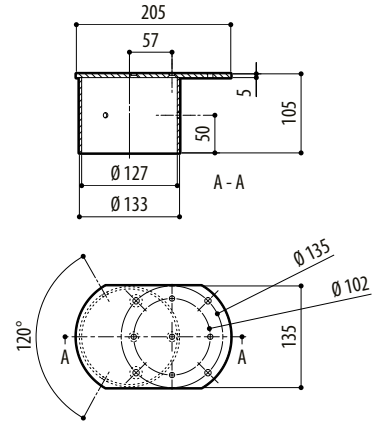
PTPC
 Top of pole mounting
 Load rating: 50kg (110lb)
 Length: 105mm (4.1in)
 Pole dimensions: Ø 80 - 120mm (3.1-4.7in)

PTDC
 Ceiling mounting
 Load rating: 50kg (110lb)
 Length: 320mm (12.6in)

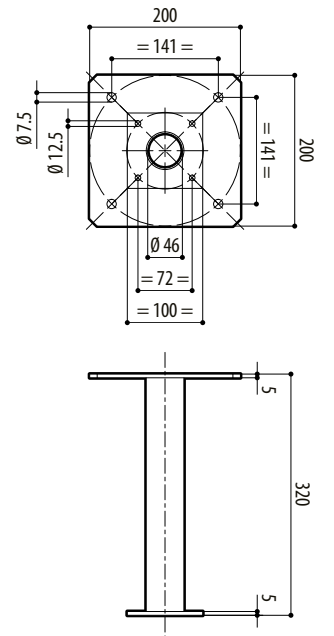
WFWBTA
 Parapet mounting
 Load rating: 50kg (110lb)
 Height: 185mm (7.2in)

ENVIRONMENT

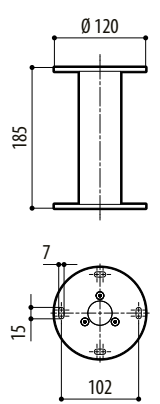
Indoor / Outdoor



PTPC

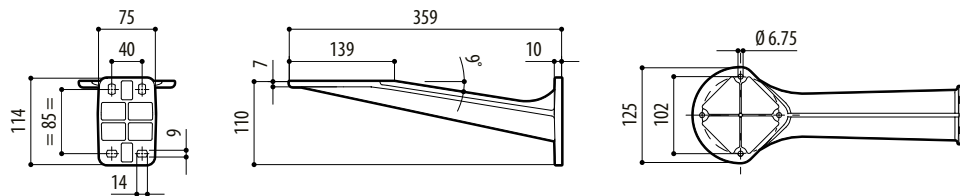


PTDC

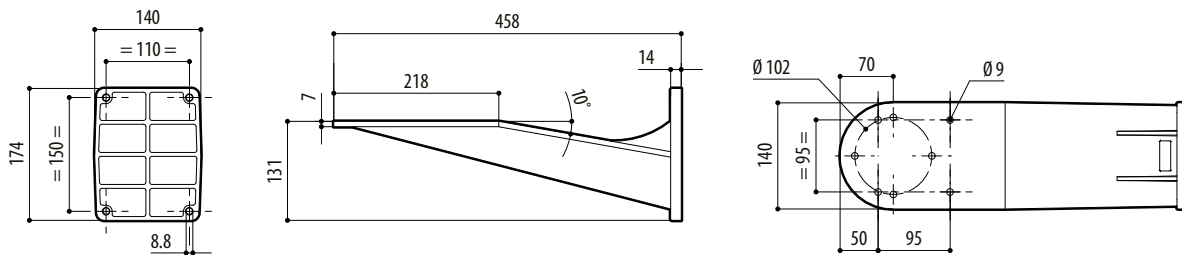


WFWBTA

mm 1:10



PTAC



PTBC

mm 1:10

PACKAGE							
Code	Unit weight		Package weight		Package dimensions (WxHxL)		Master carton unit
	kg	lb	kg	lb	cm	in	
PTAC	0.7	1.5	0.9	2.0	13.5x13.5x45.0	5.3x5.3x17.7	12
PTBC	2.2	4.9	2.5	5.5	20.5x15.5x49.0	8.0x6.1x19.3	8
PTPC	1.9	4.2	2.1	4.6	14.5x15.0x27.0	5.6x5.9x10.6	15
PTDC	0.9	2.0	1.2	2.6	22.0x22.0x35.5	8.6x8.6x14.0	-
WFWBTA	0.8	1.8	1.0	2.2	14.3x15.0x27.0	5.6x5.9x10.6	15

