

MAIN FEATURES

Designed to operate in high temperature environments

AISI 316 stainless steel double chamber

Weatherproof standard IP66/IP67

DESCRIPTION

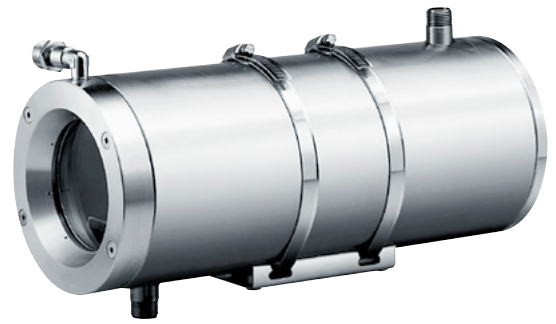
The solid construction of this housing makes it suitable for heavy duty applications, such as the surveillance of ovens, foundries and other high temperature environments.

The NXW housing is entirely constructed from electropolished stainless steel and consists of a body with a double chamber for the circulation of a cooling liquid or air. The NXW is enclosed by two thick flanges at either end and allows cables to pass through by means of two PG13.5 cable glands on the back flange. The front flange can be equipped with tempered glass, IR glass or Vicor glass for higher temperature.

A special version is available with IR-proof glass.

Two 1/2" GAS connectors allow for the cooling liquid inflow/outflow.

The NXW is equipped with a flange designed to create an air barrier in front of the glass. This prevents the formation of dust deposits and attenuates the heat of the glass itself. With the supplied air barrier, the NXFIGRU filter group is recommended, to purify the air drawn from a compressor.

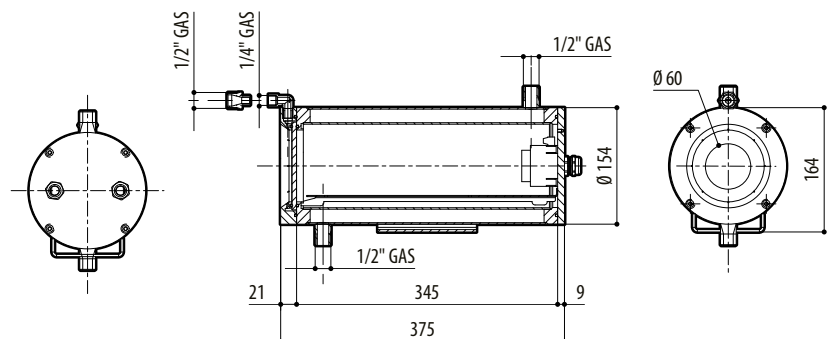


NXW



NXW + NXFIGRU + NXWBS1

→ VERSION FOR THERMAL IMAGING CAMERAS AVAILABLE: NTW □ 137



NXW

mm 1:10

AVAILABLE MODELS	
NXWOK1000	Liquid cooled housing with air barrier (without glass)
NXWOK1025	Liquid cooled housing with air barrier and IR-proof glass

TECHNICAL DATA

GENERAL

Constructed from electropolished stainless steel (Austenitic alloy stainless steel, corrosion and heat resistant according to the following standards)

- UNI 6900-71: X 2 Cr Ni Mo 17 12
- AISI: 316
- DIN 17006: X 2 Cr Ni Mo 18 10
- N° WERKSTOFF: 1.4404
- AFNOR: Z2 CND 17-12
- BSI: 316 S 12

The screws utilised are in austenitic alloy stainless steel, corrosion and heat resistant according to the following standards:

- UNI 6900: X 5 Cr Ni Mo 1712
- AISI: 316
- ISO quality: A4
- Resistance class ISO: 80

Supplied with instruction manual, desiccant bag, accessories for camera and lens mounting

UNI: Ente Nazionale Italiano di Unificazione, AISI: American Iron and Standard Institute, DIN: Deutsche Industrie Normen, AFNOR: Association Française de Normalisation, BSI: British Standard Institution, ISO: International Organization for Standardization.

MECHANICAL

2xPG13.5 cable glands in nickel-plated brass for external connections

2x1/2" GAS connectors for liquid input / output

1x1/4" GAS connector for air barrier input

External body polishing

O-ring gaskets

9mm (0.35in) thick back flange

Window: internal Ø 95mm (3.7in), external Ø 116mm (4.6in)

External dimensions: Ø 154mm (6.1in), length 375mm (14.8in)

Internal usable dimensions (WxH): 78x78mm (3.1x 3.1in)

Internal usable length

NXW 345mm (13.6in)

Internal usable length with camera power supply

NXW 280mm (11.1in)

TEMPERED GLASS

6mm (0.2in) thick

Operating temperature 260°C (500°F), thermal gradient 108°C (226°F)

VICOR GLASS

6mm (0.2in) thick

Operating temperature 400°C (752°F), thermal gradient 220°C (428°F)

IR-PROOF GLASS

6.6mm (0.25in) thick

Operating temperature 260°C (500°F), thermal gradient 108°C (226°F)

IR radiation transmitted 21%

COOLING LIQUID

Application example with incoming water at 20°C (68°F) temperature:

- T environmental 200°C (392°F), water flow 2 l/min (0.5US gal/min), T housing internal 32°C (89.6°F)
- T environmental 300°C (572°F), water flow 2.2 l/min (0.6US gal/min), T housing internal 41°C (105.8°F)
- T environmental 400°C (752°F), water flow 6.5 l/min (1.7US gal/min), T housing internal 44°C (111°F)

COOLING AIR

Application example with incoming air at 17°C(62°F) and an environmental temperature at 80°C(176°F)

- pressure 1 Bar -flow rate 10 m³/h, the internal temperature is about 45°C(113°F)
- pressure 2 Bar -flow rate 15 m³/h, the internal temperature is about 35°C(95°F)

AIR FILTERING

Pressure air flow 0.3-2.5 Bar, filter 0.1 micron

AIR BARRIER

Max pressure 1Bar

ELECTRICAL

Camera power supply

- IN 230Vac - OUT 12Vdc, 50/60Hz, 400mA
- IN 230Vac - OUT 24Vac, 50/60Hz, 400mA

ENVIRONMENT

Indoor / Outdoor

CERTIFICATIONS

CE EN61000-6-3, EN60065, EN50130-4

IP66 EN60529

ACCESSORIES

ONXWTG	Tempered glass
ONXWVG	Vicor glass
ONXAB1025B	Air barrier with IR-proof glass
OHEPS24	Camera power supply IN 230Vac - OUT 12Vdc, 400mA
OHEPS25	Camera power supply IN 230Vac - OUT 24Vac, 400mA

BRACKETS AND ADAPTORS

NXWBS1	Stainless steel wall bracket
--------	------------------------------

PACKAGE							
Code	Unit weight		Package weight		Package dimensions (WxHxL)		Master carton
	kg	lb	kg	lb	cm	in	unit
NXW	10.2	22.5	10.8	23.8	24.3x24.2x49.5	9.6x9.5x19.5	-