

MAIN FEATURES

For off-shore or industrial applications

AISI 316 stainless steel construction

For highly aggressive environments

Weatherproof standard IP66/IP68

DESCRIPTION

The NXM housing, entirely constructed from AISI 316 electropolished stainless steel, is designed to operate in special environments such as marine, industrial, chemical and where the external conditions are highly corrosive.

The NXM housing consists of a 130mm diameter cylindrical body enclosed by two 9mm thick circular flanges. The back flange is equipped with two PG13.5 cable glands for external connections. The NXM can be equipped with a flange designed to create an air barrier in front of the glass to prevent the formation of dust deposits. With the optional air barrier, the NXFIGRU filter group is recommended, which purifies the air drawn from a compressor.

A wide range of accessories is available: heater, camera power supply, NXWBS1 stainless steel special bracket, and the possibility of mounting the VIPNX wiper and washer.

The housing can be equipped with a double heater for temperatures down to -40°C (-40°F).



NXMK



NXMK + VIPNX + NXPTH + NXFWBT + NXWBPTH1



NXMK + VIPNX



NXMD



ONXAB

→ VERSION FOR THERMAL IMAGING CAMERAS AVAILABLE: NTM 137

AVAILABLE MODELS					
Code	Sunshield	Heater 115/230Vac	Heater 12Vdc/24Vac	Double heater 115/230Vac	Max consumption
NXMOD1000B					
NXM1K1000B	•	•			40W
NXM2K1000B	•		•		20W
NXM1K1050	•			•	80W

TECHNICAL DATA

GENERAL

Constructed from electropolished stainless steel (Austenitic alloy stainless steel, corrosion and heat resistant according to the following standards):

- UNI 6900-71: X 2 Cr Ni Mo 17 12
- AISI: 316
- DIN 17006: X 2 Cr Ni Mo 18 10
- N° WERKSTOFF: 1.4404
- AFNOR: Z2 CND 17-12
- BSI: 316 S 12

The screws utilised are in austenitic alloy stainless steel, corrosion and heat resistant according to the following standards:

- UNI 6900: X 5 Cr Ni Mo 17 12
- AISI: 316
- ISO quality: A4
- Resistance class ISO: 80

Supplied with instruction manual, desiccant bag, accessories for camera and lens mounting

UNI: Ente Nazionale Italiano di Unificazione, AISI: American Iron and Standard Institute, DIN: Deutsche Industrie Normen, AFNOR: Association Française de Normalisation, BSI: British Standard Institution, ISO: International Organization for Standardization.

MECHANICAL

NXM

2xPG13.5 cable glands in nickel-plated brass for external connections

9mm (0.35in) thick front and back flanges

External body polishing

O-ring gaskets

Tempered window glass: 4mm (0.15in) thick, internal Ø 97mm (3.8in); external Ø 112mm (4.4in); with air barrier internal Ø 95mm (3.7in), external Ø 116mm (4.6in)

External dimensions: Ø 154mm (6in) length 370mm (14.5in)

Internal usable area (WxH): 88x86mm (3.5x3.4in)

Internal usable area with double heater (WxH): 55x100mm (2.2x3.9in)

Internal usable length

NXM 334mm (13.1in)

Internal usable length with heater and/or power supply

NXM 245mm (9.6in)

WIPER

Wiperblade and enclosure constructed from AISI 316 stainless steel

Dimensions (ØxL): 100x169mm (3.9x6.6in), not comprehensive of blade

Connector 3+1 pins

IN 230Vac, consumption 7W max

IN 24Vac, consumption 7W max

ELECTRICAL

Heater Ton 15°C±3°C (59°F±5°F) Toff 22°C±3°C (71°F±5°F)

- IN 12Vdc/24Vac, consumption 20W max
- IN 115/230Vac, consumption 40W max
- IN 115/230Vac, double heater, consumption 80W max

Camera power supply

- IN 100-240Vac - OUT 12Vdc, 50/60 Hz, 1A
- IN 230Vac - OUT 24Vac, 50/60Hz, 400mA

ENVIRONMENT

Indoor / Outdoor

Submersible up to -50m (-164ft) (5 Bar pressure)

Operating temperature with heater: -20°C / +60°C (-4°F / +140°F)

Operating temperature with double heater: -40°C / + 60°C (-40°F / +140°F)

CERTIFICATIONS

NXM

CE EN61000-6-3, EN60065, EN50130-4

IP66/IP68 EN60529 IP66/IPx8 (5 Bar for 48 hours)

VIPNX

CE EN61000-6-3, EN60065, EN50130-4

IP66 EN60529

ACCESSORIES

ONXMAS6	Sunshield
OHEH06B	Heater 115/230Vac
OHEH05B	Heater 12Vdc/24Vac
ONXPS1B	Wide range camera power supply IN 100-240Vac - OUT 12Vdc, 1A
ONXPS2B	Camera power supply IN 230Vac - OUT 24Vac, 400mA
VIPNX1C	Stainless steel wiper 230Vac
VIPNX2C	Stainless steel wiper 24Vac
ONXAB2	Air barrier with tempered glass included
NXFIGRU	Compressed air filtering group
VIP5WAS01	Tank 5l (1,3gal), 230Vac washer pump
VIP5WAS02	Tank 5l (1,3gal), 24Vac washer pump
VIP23WAS01	Tank 23l (6gal), 230Vac washer pump
VIP23WAS02	Tank 23l (6gal), 24Vac washer pump
VIP23WASA01	Tank 23l (6gal), 230Vac washer pump, high delivery up 30m (98ft)
UPTWAS01C	Tank 23l (6gal), IN 230Vac washer pump (prearranged for DTWRX board)
UPTWAS02C	Tank 23l (6gal), IN 24Vac washer pump (prearranged for DTWRX board)
UPTWAS03C	Tank 23l (6gal), IN 120Vac washer pump (prearranged for DTWRX board)
UPTWASA01C	Tank 23l (6gal), IN 230Vac washer pump, high delivery up 30m (98ft) (prearranged for DTWRX board)
UPTWASA03C	Tank 23l (6gal), IN 120Vac washer pump, high delivery up 30m (98ft) (prearranged for DTWRX board)
DTWRX	Optional board for remote control of wiper and washer pump of the UPTWAS series

BRACKETS AND ADAPTORS

NXWBS1 Wall bracket for stainless steel housing

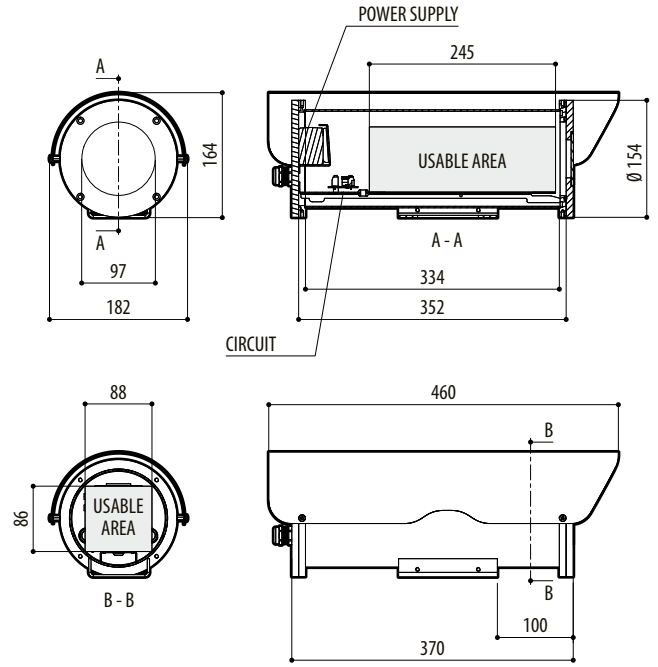
RELATED PRODUCTS

NXPTH Stainless steel Pan&Tilt

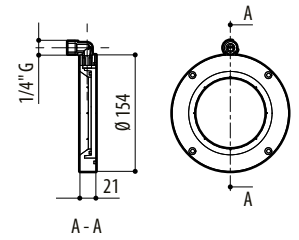
SPARE PARTS

ONXMMAN Maintenance kit NXM housing

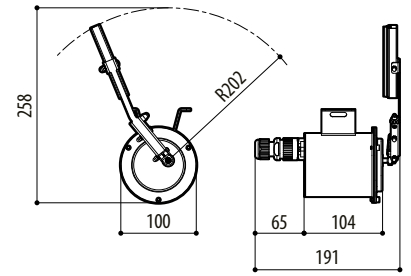
OSPAVIPNXMC Complete wiper blade for VIPNX



NXM



ONXAB2



VIPNX

mm 1:10

PACKAGE							
Code	Unit weight		Package weight		Package dimensions (WxHxL)		Master carton unit
	kg	lb	kg	lb	cm	in	
NXM	6.0	13.3	10.2	16.0	29.5x19.5x49.0	11.6x7.7x19.2	3
VIPNX	1.7	3.7	1.9	4.2	14.5x15.0x27.0	5.7x5.9x10.6	15

