

### MAIN FEATURES

Designed to operate in high temperature environments

Zinc-Selenium glass for thermal cameras, wavelength 7.5 - 14µm (up to 200°C/500°F)

Sapphire glass for shortwave thermal cameras, wavelength 0.75 – 4.5 µm (up to 400°C/752°F)

AISI 316 stainless steel double chamber

Weatherproof standard IP66/IP67

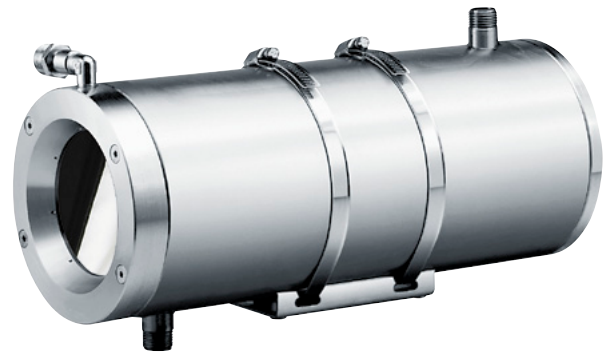
### DESCRIPTION

The NTW housing, constructed from AISI 316 electropolished stainless steel, can be equipped with a Zinc-Selenium glass window designed for thermal cameras, wavelength 7.5 - 14µm, or with Sapphire glass window for shortwave thermal cameras, wavelength 0.75 – 4.5 µm.

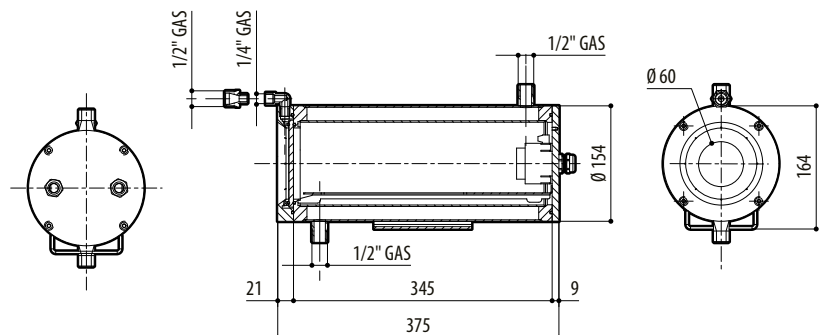
The NTW consists of a body with a double chamber for the circulation of a cooling liquid or air. The NTW is enclosed by two thick flanges at either end and allows cables to pass through by means of two cable glands on the back flange. Two 1/2" GAS connectors allow for the cooling liquid inflow/outflow.

The NTW is equipped with a flange designed to create an air barrier in front of the glass. This prevents the formation of dust deposits and attenuates the heat of the glass itself. With the supplied air barrier, the filter group is recommended, which purifies the air drawn from a compressor.

The solid construction of this housing makes it suitable for heavy duty applications, such as the surveillance of ovens, foundries, and other high temperature environments.



NTW



NTW

mm 1:10

AVAILABLE MODELS				
Code	Sunshield	ZiSe Glass	Sapphire Glass	Ø Glass
NTWOK2000	•	•		60mm
NTWOK3000	•		•	60mm

## TECHNICAL DATA

### GENERAL

Constructed from electropolished stainless steel (Austenitic alloy stainless steel, corrosion and heat resistant according to the following standards)

- UNI 6900-71: X 2 Cr Ni Mo 17 12
- AISI: 316
- DIN 17006: X 2 Cr Ni Mo 18 10
- N° WERKSTOFF: 1.4404
- AFNOR: Z2 CND 17-12
- BSI: 316 S 12

The screws utilised are in austenitic alloy stainless steel, corrosion and heat resistant according to the following standards

- UNI 6900: X 5 Cr Ni Mo 17 12
- AISI: 316
- ISO quality: A4
- Resistance class ISO: 80

Supplied with instruction manual, desiccant bag, accessories for camera and lens mounting

UNI: Ente Nazionale Italiano di Unificazione, AISI: American Iron and Standard Institute, DIN: Deutsche Industrie Normen, AFNOR: Association Française de Normalisation, BSI: British Standard Institution, ISO: International Organization for Standardization.

### MECHANICAL

2xPG13.5 cable glands in nickel-plated brass for external connections

2x1/2" GAS connectors for liquid input / output

1x1/4" GAS connector for air barrier input

External body polishing

O-ring gaskets

9mm (0.35in) thick back flange

Window: internal Ø 60mm (2.4in), external Ø 80mm (3.1in)

External dimensions: Ø 154mm (6.1in), length 375mm (14.8in)

Internal usable dimensions (WxH): 78x78mm (3.1x 3.1in)

Internal usable length

NTW 345mm (13.6in)

Internal usable length with camera power supply

NTW 280mm (11.1in)

### PACKAGE

Code	Unit weight		Package weight		Package dimensions (WxHxL)		Master carton unit
	kg	lb	kg	lb	cm	in	
NTW	10.2	22.5	10.8	23.8	24.3x24.2x49.5	9.6x9.5x19.5	-

### ZISE GLASS

4mm (0.16in) thick

Operating temperature 200°C (500°F)

Transparency from 7.5 to 14 µm

### SAPPHIRE GLASS

1mm (0.04in) thick

Operating temperature 400°C (752°F)

Transparency from 0.75 to 4.5 µm

### COOLING LIQUID

Application example with incoming water at 20°C (68°F) temperature:

- T environmental 200°C (392°F), water flow 2 l/min (0.5US gal/min), T housing internal 32°C (89.6°F)
- T environmental 300°C (572°F), water flow 2.2 l/min (0.6US gal/min), T housing internal 41°C (105.8°F)
- T environmental 400°C (752°F), water flow 6.5 l/min (1.7US gal/min), T housing internal 44°C (111°F)

### COOLING AIR

Application example with incoming air at 17°C(62°F) and an environmental temperature at 80°C(176°F)

- pressure 1 Bar -flow rate 10 m<sup>3</sup>/h, the internal temperature is about 45°C(113°F)
- pressure 2 Bar -flow rate 15 m<sup>3</sup>/h, the internal temperature is about 35°C(95°F)

### AIR FILTERING

Pressure air flow 0.3-2.5 Bar, filter 0.1 micron

### AIR BARRIER

Max pressure 1Bar

### ELECTRICAL

Camera power supply

- IN 230Vac - OUT 12Vdc, 50/60Hz, 400mA
- IN 230Vac - OUT 24Vac, 50/60Hz, 400mA

### ENVIRONMENT

Indoor / Outdoor

### CERTIFICATIONS

CE EN61000-6-3, EN60065, EN50130-4

IP66/IP67 EN60529

### ACCESSORIES

OHEPS24 Camera power supply IN 230Vac - OUT 12Vdc, 400mA

OHEPS25 Camera power supply IN 230Vac - OUT 24Vac, 400mA

### BRACKETS AND ADAPTORS

NXWBS1 Stainless steel wall bracket