

NTC

THERMAL CAMERA FOR HARSH ENVIRONMENTS

MAIN FEATURES

Uncooled VOx microbolometer

Resolution 320x256 or 640x512 (PAL)

Sensitivity 50mK at F/1.0

Wide range of lenses with different focal length

Configuration through OSD

In AISI 316 electropolished stainless steel

IP66/IP67

DESCRIPTION

The thermal camera is an uncooled Vanadium Oxide (VOx) Microbolometer with a spectral band of 7.5-13.5 μ m; it generates a thermal video of 320x256 (PAL) and 320x240 (NTSC) or 640x512 (PAL) and 640x480 (NTSC), with a frame rate of 8.3fps or 25fps (PAL) and 7.5 or 30fps (NTSC). High sensitivity (50mK at f/1.0) guarantees excellent thermal vision. Supports 2x or 4x digital zoom. Various focal lengths are available, depending on the detection distances required.

The camera also has functions such as the Isothermal analysis (special colors of the objects that fall within the parameters set by the operator), base thermography and other colors of the scene.

Its housing is designed for special installation such as marine, industrial, chemical or in environments with highly corrosive external agents.

The Germanium glass, with its exceptional features, allows the best transmission of energy from 7.5 up to 13.5 μ m.

The housing has a cylindrical body with a 130mm (5.12in) diameter, closed by two 9mm (0.4in) thick circular flanges. There are 3 PG13.5 cable glands for outdoor connections on the rear flange.

This solution is particularly suited for round-the-clock video surveillance in a wide range of high security environments such as perimeter protection, airports, coastlines, prisons and harbours.



NTC



NTC

NTC - CONFIGURATION OPTIONS

	Camera resolution	Focal length
NTC2K1	3 320X240	09 9mm
	6 640X480	19 19mm
		25 25mm
		35 35mm

INTEGRATED POSITIONING UNITS
EXPLOSION-PROOF SYSTEMS
CAMERA HOUSINGS
DOVE ENCLOSURES
VANDAL RESISTANT HOUSINGS
IR ILLUMINATORS
P&T MOTORS AND TELEMETRY
CAMERA BRACKETS
DIGITAL VIDEO SYSTEMS
CONTROL KEYBOARDS
VIDEO SWITCHING AND DISTRIBUTION
VIDEO TRANSMISSION

TECHNICAL DATA

GENERAL

Constructed from electropolished stainless steel (Austenitic alloy stainless steel, corrosion and heat resistant according to the following standards):

UNI 6900-71: X 2 Cr Ni Mo 17 12

AISI: 316

DIN 17006: X 2 Cr Ni Mo 18 10

N° WERKSTOFF: 1.4404

AFNOR: Z2 CND 17-12

BSI: 316 S 12

The screws utilised are in austenitic alloy stainless steel, corrosion and heat resistant according to the following standards:

UNI 6900: X 5 Cr Ni Mo 1712

AISI: 316

ISO quality: A4

Resistance class ISO: 80

Supplied with the instruction manual and a salt bag

UNI: Ente Nazionale Italiano di Unificazione, AISI: American Iron and Standard Institute, DIN: Deutsche Industrie Normen, AFNOR: Association Française de Normalisation, BSI: British Standard Institution, ISO: International Organization for Standardization.

MECHANICAL

Cable glands: 3xPG13.5 in nickel plated brass for outdoor connections

External body polishing

9mm (0.3in) thick front and back flange

O-ring gaskets

Germanium glass

Thick: 2mm (0.07in)

External non-scratch treatment (hard carbon coating)

Internal antireflection treatment

Spectral range: from 7.5 up to 13.5µm

Average transmission: from 7.5 up to 11.5µm, 94%

Average transmission: from 11.5 up to 13.5µm, 90%

Wiper:

Wiperblade and enclosure constructed from AISI 316 stainless steel

Dimensions (ØxL): 100x169mm, blade not included

Connector 3+1 pins

IN 24Vac, consumption 7W max

ELECTRICAL

Heater Ton 15°C±3°C (59°F ±5°F) Toff 22°C±3°C (71.6°F ±5°F)

IN 24Vac, consumption 20W max

COMMUNICATIONS

RS422 Full Duplex for complete control of the camera

ENVIRONMENT

Indoor / Outdoor

Operating temperature with heating: -20°C / +60°C (-4°F / +140°F)

CERTIFICATIONS

NTC

CE EN61000-6-3, EN60065, EN50130-4

IP66/IP67 EN60529

VIPNX

CE EN61000-6-3, EN60065, EN50130-4

IP66 EN60529

ACCESSORIES

ONXMAS6	Sunshield
OHHE05B	Heater 12Vdc/24Vac for HEP, NXM housings
VIPNX2C	24Vac stainless steel wiper for NXM, NTM and NTC housings
WAS0V5L5M00	Water tank 5l, pump with delivery up to 5m (16ft), IN 230Vac-24Vac-120Vac
WAS0V23L5M00	Water tank 23l, pump with delivery up to 5m (16ft), IN 230Vac-24Vac-120Vac
WAS0V23L11M00	Water tank 23l, pump with delivery up to 11m (36ft), IN 230Vac-24Vac-120Vac
WAS1V23L30M00	Water tank 23l, pump with delivery up to 30m (98ft) with water floating, IN 230Vac
WAS3V23L30M00	Water tank 23l, pump with delivery up to 30m (98ft) with water floating, IN 120Vac
WASPT0V5L5M00	Water tank 5l, pump with delivery up to 5m (16ft), IN 230Vac-24Vac-120Vac
WASPT0V23L5M00	Water tank 23l, pump with delivery up to 5m (16ft), IN 230Vac-24Vac-120Vac
WASPT0V23L11M00	Water tank 23l, pump with delivery up to 11m (36ft), IN 230Vac-24Vac-120Vac
WASPT1V23L30M00	Water tank 23l, pump with delivery up to 30m (98ft) with water floating, IN 230Vac
WASPT3V23L30M00	Water tank 23l, pump with delivery up to 30m (98ft) with water floating, IN 120Vac
DTWRX	Data receiver for remote control of the wiper and WASPT range pumps

RELATED PRODUCTS

NXPTH Stainless steel Pan & Tilt

BRACKETS AND ADAPTORS

NXWBS1 Stainless steel wall bracket with joint

SPARE PARTS

OCTMAN	NTC and NTM housing maintenance kit
OSPAVIPNXM	Complete blade for VIPNX wiper
ONTMFA	Front cover complete with Germanium glass

CORE				
Detector	Uncooled VOx microbolometer			
Resolution	320x256 (PAL)	320x240 (NTSC)	640x512 (PAL)	640x480 (NTSC)
Pixel dimensions	25µm		17µm	
Spectral response - long wave infrared (LWIR)	from 7.5µm a 13.5µm			
Internal shutter (only for sensor compensation)	Video stop < 1sec.			
Digital Detail Enhancement (DDE)	•			
Digital Zoom	2x, 4x			
Image updating frequency	8.3fps, 25fps	7.5fps, 30fps	8.3fps, 25fps	7.5fps, 30fps
Scene temperature range	-40°C ÷ +160°C (-40°F ÷ +320°F)			
Thermal sensitivity (NEΔT)	< 50mK a f/1.0			

RESOLUTION 320X256					
Focal length	Horizontal field of view	Vertical field of view	F-number	Man (Detection / Recognition / Identification)	Auto (Detection / Recognition / Identification)
9mm	48°	37°	f/1.25	205m / 52m / 26m	590m / 150m / 74m
19mm	24°	20°	f/1.25	450m / 112m / 56m	1280m / 330m / 165m
25mm	20°	14°	f/1.1	590m / 148m / 75m	1650m / 430m / 215m
35mm	13°	10°	f/1.2	800m / 200m / 105m	2250m / 590m / 290m

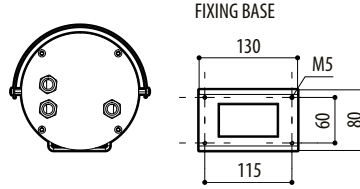
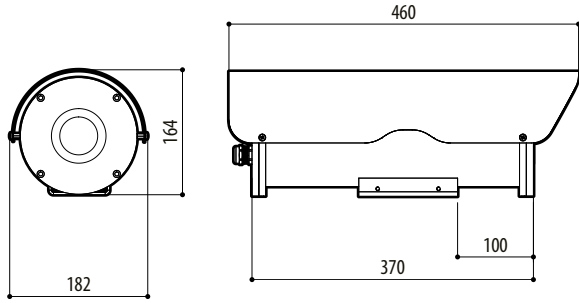
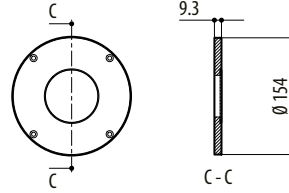
Lens with other focal lengths on request

RESOLUTION 640X512					
Focal length	Horizontal field of view	Vertical field of view	F-number	Man (Detection / Recognition / Identification)	Auto (Detection / Recognition / Identification)
9mm	69°	56°	f/1.4	250m / 63m / 31m	720m / 175m / 88m
19mm	32°	2.6	f/1.25	570m / 144m / 72m	1550m / 400m / 200m
25mm	25°	20°	f/1.1	820m / 210m / 104m	2200m / 580m / 290m
35mm	20°	14°	f/1.2	1140m / 280m / 142m	3000m / 800m / 200m

Lens with other focal lengths on request

VIDEO TRANSMISSION
VIDEO SWITCHING AND DISTRIBUTION
CONTROL KEYBOARDS
DIGITAL VIDEO SYSTEMS
CAMERA BRACKETS
P&T MOTORS AND TELEMETRY
IR ILLUMINATORS
VANDAL RESISTANT HOUSINGS
DOIME ENCLOSURES
CAMERA HOUSINGS
EXPLOSION-PROOF SYSTEMS
INTEGRATED POSITIONING UNITS

FRONT FLANGE



NTC

Sizes in millimeters.