

MEDUSA BRACKETS AND ACCESSORIES

REVISION 0945



MAIN FEATURES

Sturdy supports with internal cable channel

Adapters for different installation requirements

Reinforced heater

DESCRIPTION

DBH06

Wall bracket with cable management for DBH18 dome, constructed from aluminium and painted with epoxy polyester powder, RAL 9002.

DBH07

Ceiling/parapet bracket with cable management for DBH18 dome, constructed from aluminium and painted with epoxy polyester powder, RAL 9002.

DBH08

Linear extension for DBH07 constructed from aluminium and painted with epoxy polyester powder, RAL 9002.

DBH09

Rotating plate for DBH07 constructed from aluminium and stainless steel.

PTCC1

Pole mount adapter for DBH06 bracket. It allows the bracket to be firmly attached to the pole. Epoxy polyester powder painted.

DBHWGC

Pole adapter compatible with DBH06 brackets for dome enclosure installation..

WCWGC

Corner adapter for DBH06 bracket. It allows the bracket to be firmly attached to the corner. Constructed from steel, the adapter is epoxy polyester powder painted.

ODBH18K1 - ODBH18K2

Reinforced heater for low temperature applications, IN 115/230Vac, 88W, and 12Vdc/24Vac, 48W. This system, easy to install inside the MEDUSA housing, permits the heat to be uniformly distributed.



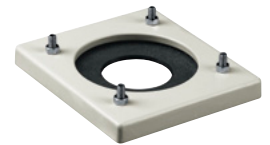
DBH06



DBH07



DBH08



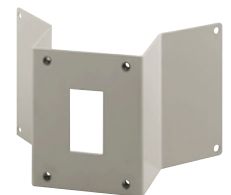
DBH09



PTCC1



DBHWGC



WCWGC

MEDUSA BRACKETS AND ACCESSORIES

TECHNICAL DATA

GENERAL

DBH06

Internal cable management
 Max load: 25kg (55lb)
 Length: 230mm (9in)

DBH07

Internal cable management
 Max load: 25kg (55lb)
 Length: 486mm (19,1in)

DBH08

Internal cable management
 Max load: 25kg (55lb)
 Length: 270mm (10.6in)

DBH09

Construction in aluminium and steel
 Dimensions: 165x185x24mm (6.5x7.3x0.95in)

PTCC1

Pole installation, in aluminum
 Load rating: 50kg (110lb)
 Pole: Ø 80 - 150mm (3.14 - 5.9in)

DBHWGC

Pole installation in steel
 Max load: 25kg (55lb)
 Pole diameters 210mm max 225mm (8.2" - 8.85")

WCWGC

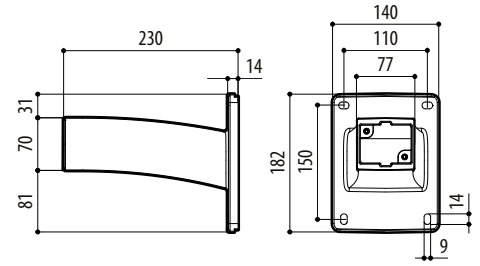
Corner installation
 Load rating: 50kg (110.2lb)

HEATER KIT

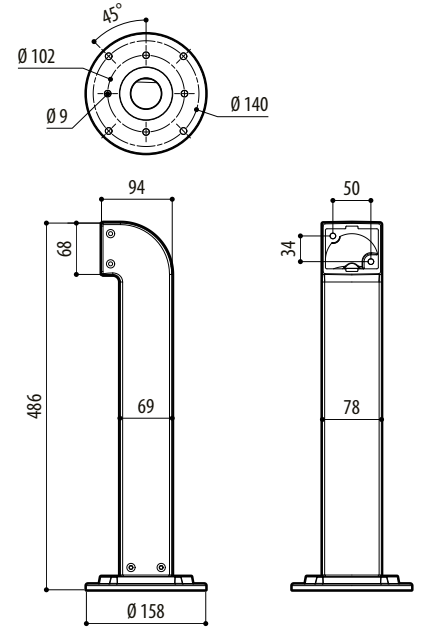
Operating temperature with reinforced heater kit: -30°C / +50°C (-22°F / +122°F)
 (only with adapters ODBH18H / ODBH18V series and with camera/lens with operating temperature down to -10°C (14°F))

PART NUMBER

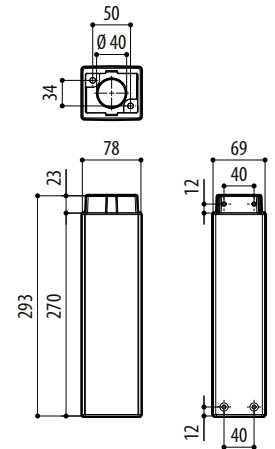
ODBH18K1 Reinforced fan-assisted heater 115/230Vac, 88W
 ODBH18K2 Reinforced fan-assisted heater 12Vdc/24Vac, 48W



DBH06



DBH07



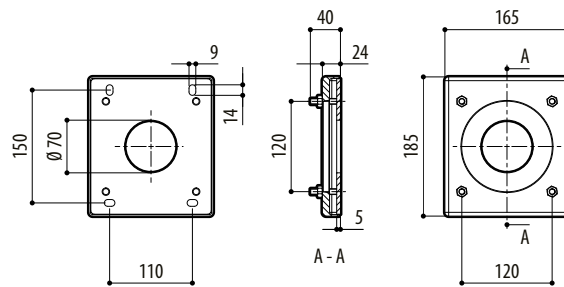
DBH08

mm 1:10

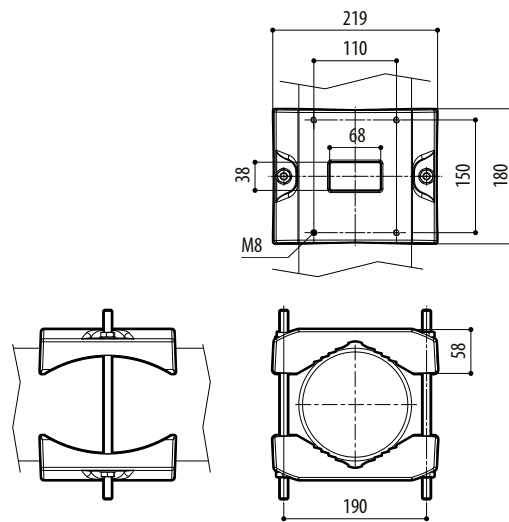
PACKAGE

Code	Unit weight		Package weight		Package dimensions (WxHxL)		Master carton unit
	kg	lb	kg	lb	cm	in	
DBH06	1.3	2.8	1.5	3.3	24.0x16.0x19.5	9.4x6.2x7.6	-
DBH07	2.9	6.4	3.3	7.3	14.5x12.0x34.5	5.7x4.7x13.5	8
DBH08	1.5	3.3	1.6	3.5	19.5x52.5x20.0	7.6x20.6x7.8	-
DBH09	1.6	3.5	1.8	3.9	25.0x25.0x6.5	9.8x9.8x2.5	-

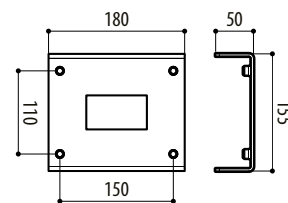
DBH09



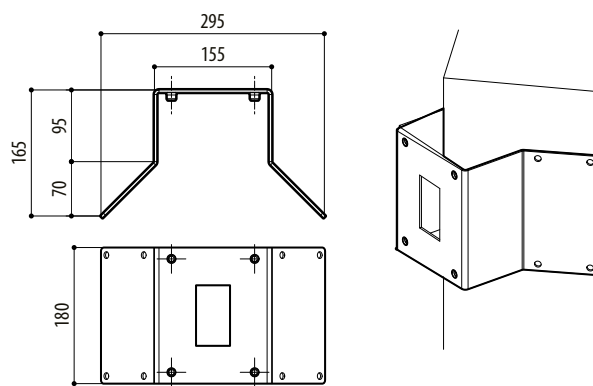
PTCC1



DBHWGC



WCWGC



mm 1:10

MEDUSA BRACKETS AND ACCESSORIES