

### MAIN FEATURES

18 high efficiency LED array with current limited integral power circuit

Advanced technology to deliver LED top performance and duration

Wavelength 850nm

Built-in photocell

Robust aluminium construction with acrylic front fascia

Weatherproof standard IP67

### DESCRIPTION

This range of LED infrared illuminators offers the latest intelligent technology, high performance, long life and low maintenance. The illumination produced by IRBD lights the foreground and the background of the entire scene eliminating hotspots and underexposure for unrivalled night-time images and delivers absolute performance in night vision surveillance. An onboard microprocessor compensates for natural LED degradation and delivers a constant level of infrared performance, throughout the operating life of the illuminator. These illuminators feature a regulated low power input circuit which allows the illuminator to be powered directly from a 12Vdc/24Vac supply without the need for a separate power supply, for reduced installation costs and easy and quick mounting.

Available in three versions with beam patterns 10°, 30° and 60°.

A power and control box is available as an accessory to be used as a power supply or to synchronize IR light with ULISSE camera module Day/Night switching (not needed for the model ULISSE IR360). Moreover the built-in sensitivity adjustable photocell permits to reduce power consumption and extend LED life.

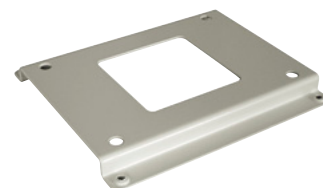
These illuminators are recommended for military surveillance, perimeter surveillance, airports and prisons, ports and harbours, as well as residential, commercial and town centre surveillance.



IRBD



IRPSBD



OIRCPA FOR IRPSBD



OSUPPIR

## IRBD

## TECHNICAL DATA

## GENERAL

Robust aluminium construction anodised white, with black acrylic front fascia

18 high efficiency LED array with current limited integral power circuit

Beam patterns: 10°, 30°, 60°

Infrared beam wavelength: 850nm

Supplied with instruction manual, wall mount U-bracket, IP67 power connector and 5m (16ft) of connecting lead

Beam patterns and achievable distance\*

IR10BD	10°, 850nm, 220m (720ft)
IR30BD	30°, 850nm, 110m (360ft)
IR60BD	60°, 850nm, 70m (230ft)

\* Achievable distance with CCD 1/2" B/W high sensitive cameras for night vision, ratio S/N greater than 20dB and minimum F1.4 lens aperture. The typical distance of the subject to illuminate is in function of the reflection coefficient of the illuminated scene.

## MECHANICAL

Dimensions (WxHxL): 152x188x115mm (6.0x7.4x4.5in)

## ELECTRICAL

Input Voltage: 12-40Vdc or 24Vac ±30%

Consumption: from 26 to 45W

**POWER SUPPLY IN WEATHERPROOF BOX**

Dimensions: 193x242x82mm (7.6x9.5x3.2in)

Consumption: 100W (powering two spots on maximum power)

Built-in photocell for automatic ON/OFF operation

Day/Night (STATUS) output: energised control 30Vdc -10mA (high when on)

Optional photocell input: clean NO contact (on when closed)

Cable sizes: AWG 16 - 30 (0.5mm<sup>2</sup> - 1.5mm<sup>2</sup>) (0.02in<sup>2</sup> - 0.06in<sup>2</sup>)

Operating temperature: -20°C / +50°C (-4°F / +122°F)

IP66 EN60529

## ENVIRONMENT

Indoor / Outdoor

Operating temperature: -50°C/+50°C (-58°F/+122°F) max on full power (up to +60° (140°F) with lamps off)

## CERTIFICATIONS

This product complies with 89/336/EEC, 72/23/EEC Low Voltage Directive meeting the following CE Standards EN60742/1/1990, EN60598/2/5

Electromagnetic Compatibility Directive meeting the following standards EN61000-6-3, EN61000-3-3, EN61000-6-3, EN50130-4, EN60950-1

IP67

## ACCESSORIES

IRPSBD120	Power supply and control to synchronize IR light with ULISSE camera module Day/Night switching, IN 120Vac, 50/60Hz - OUT 34Vdc, 4A, in weatherproof box *
IRPSBD230	Power supply and control to synchronize IR light with ULISSE camera module Day/Night switching, IN 230Vac, 50/60Hz - OUT 34Vdc, 4A, in weatherproof box *
IRPSBD24	Power supply and control to synchronize IR light with ULISSE camera module Day/Night switching, IN 24Vac, 50/60Hz - OUT 34Vdc, 4A, in weatherproof box *

\* Suitable for pole mount adapter PTCC1 (with adapter plate OIRCPA).

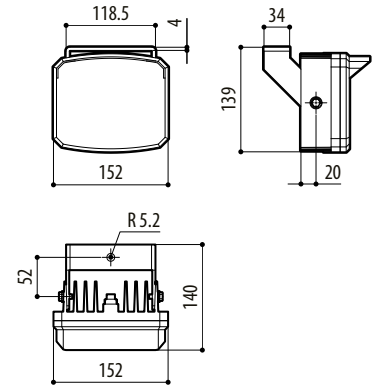
## BRACKETS AND ADAPTORS

PTCC1	Pole mount adaptor
OIRCPA	Adapter plate for IRPSBD with PTCC1
OSUPPIR	Bracket for mounting 1xIR50 or 1xIRBD infrared illuminator for housings HPV42, HPV36, HOV, HEG (also for versions with blower system)

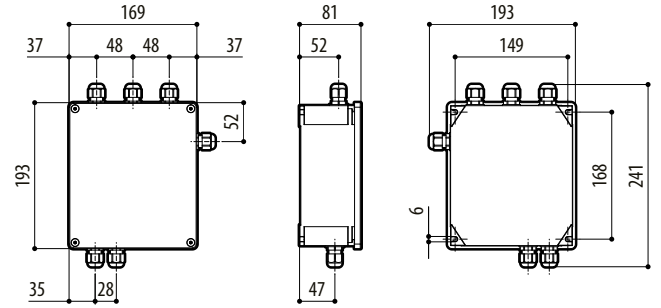
## PACKAGE

Code	Unit weight		Package weight		Package dimensions (WxHxL)		Master carton unit
	kg	lb	kg	lb	cm	in	
IRBD	1.2	2.6	1.4	3.1	11.0x22.0x25.0	4.3x8.7x9.8	-
IRSPBD	2.5	5.5	-	-	-	-	-

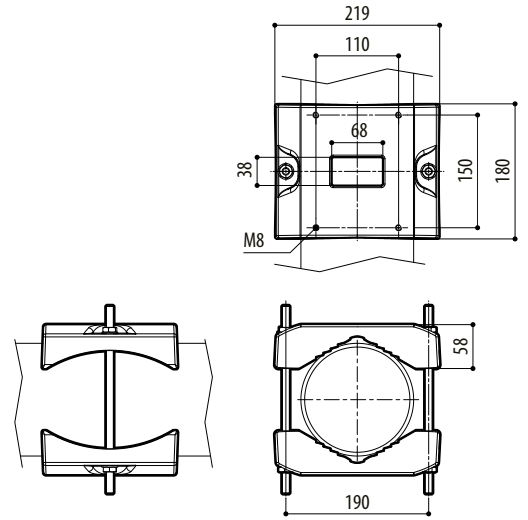
IRBD



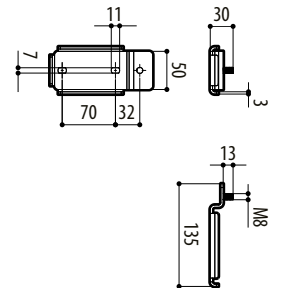
IRPSBD



PTCC1



OSUPPIR



mm 1:10

