

MAIN FEATURES

Germanium glass window

Indoor / Outdoor installations

Side opening, easy camera servicing

Weatherproof standard IP66/IP67

Different mounting options: standard bracket, cable management bracket or P&T

DESCRIPTION

The HTV housing, equipped with a Germanium glass window has been designed for thermal imaging camera installations and ensures total protection against all environmental conditions.

The clear Germanium glass composition covers transmission from 7.5 to 14µm IR range with the best optical quality. The window dimension allows the installation of thermal imaging cameras with a 9.2mm/45° lens.

Thanks to the side opening, the accessibility to the camera, to the lens and to all its connections is made far easier.

Its weatherproof feature is ensured by neoprene-rubber gasket and 3 cable glands.

The body is constructed from aluminium and the sunshield from ABS material.

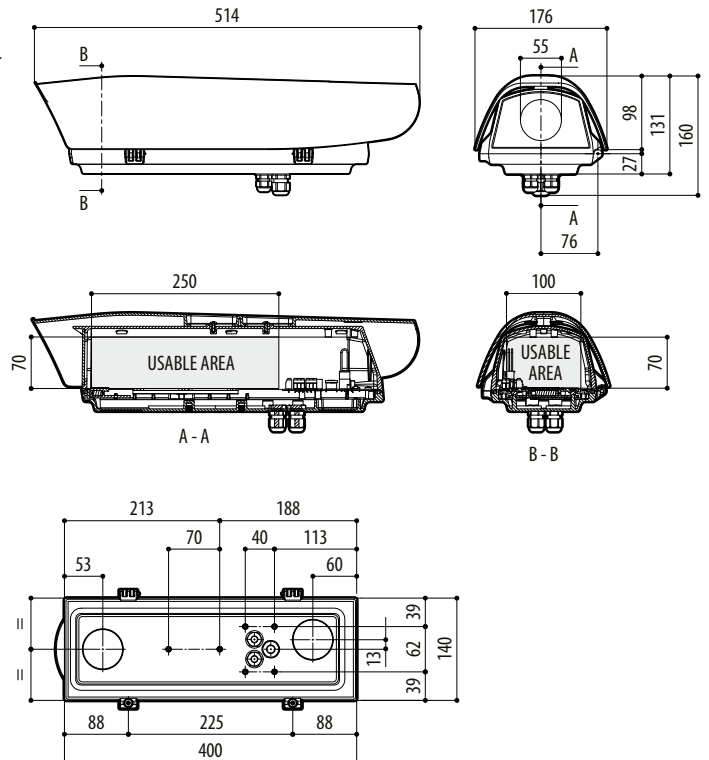
The HTV offers various mountings modes: wall or ceiling brackets, standard or full cable management brackets, or Pan & Tilt heads.

Wide range of accessories available: sunshield, heater, camera power supply and alarm tamper switch.

The accessories are supplied as a simple plug-in kit for easy installation or factory-installed.



HTV



HTV

mm 1:10

AVAILABLE MODELS				
Code	Sunshield	Power supply 230Vac	Power supply 24Vac	Ø Germanium Glass
HTV32K1A000	•	•		50mm
HTV32K2A000	•		•	50mm

TECHNICAL DATA

GENERAL

Aluminium
 Sunshield in ABS
 Epoxypolyester powder painting, RAL9002 colour
 Stainless steel external screws
 Supplied with instruction manual, desiccant bag, accessories for camera and lens mounting

MECHANICAL

3xM16 cable glands

GERMANIUM WINDOW GLASS

2mm (0.07in) thick, Ø 70mm (2.8in) external, Ø 50mm (2.0in) internal
 External non-scratch treatment (hard carbon coating)
 Internal antireflection treatment
 Spectral range from 7.5 to 14µm IR range
 Average transmission from 7.5 to 11.5µm, 94%
 Average transmission from 11.5 to 14µm, 90%
 Internal usable area (WxH): 100x70mm (3.9x2.7in)
 Internal usable length with and without accessories: 250mm (9.8in)

ELECTRICAL

Heater Ton 15°C±3°C (59°F±5°F) Toff 22°C±3°C (71°F±5°F)

- IN 12Vdc/24Vac, consumption 20W max
- IN 115/230Vac, consumption 40W max

Camera power supply

- IN 100-240Vac - OUT 12Vdc, 50/60 Hz, 1A
- IN 230Vac - OUT 24Vac, 50/60Hz, 400mA

ENVIRONMENT

Indoor / Outdoor

Operating temperature with heater: -20°C / +60°C (-4°F / +140°F)

Resistant to salty fog until 1000 hours (according to ISO9227)

CERTIFICATIONS

CE EN61000-6-3, EN60065, EN50130-4

IP66/IP67 EN60529 with cable glands

IP66/IP67 EN60529 with special gaskets and bracket with internal cable channel

IP55 EN60529 with bracket with internal cable channel

PACKAGE							
Code	Unit weight		Package weight		Package dimensions (WxHxL)		Master carton
	kg	lb	kg	lb	cm	in	
HTV32K1	3.0	6.6	3.4	7.5	19.5x14.5x52.8	7.7x5.7x20.8	4

ACCESSORIES

OHOVS32A000	Sunshield
OHEH26	Heater 115/230Vac
OHEH27	Heater 12Vdc/24Vac
OHOVPS1B	Wide range camera power supply IN 100-240Vac - OUT 12Vdc, 1A
OHOVPS2B	Camera power supply IN 230Vac - OUT 24Vac, 400mA
OHOVTA1	Tamper switch on board with tamper proof screws and key
OHEGBB	Weatherproof junction box IP55
OWBIP2	Kit special gaskets (3xM16) to allow protection IP66/ IP67 for WBOVA2 and WCM4A2 brackets

BRACKETS AND ADAPTORS

WBJA	Wall bracket with ball joint
WBOVA2	Wall bracket with internal cable channel
WBOV3A2	Wall bracket with internal cable channel, support plate and integrated junction box
WCM3A	Ceiling bracket with ball joint
WCM5A	Ceiling bracket with ball joint
WCM4A2	Ceiling bracket with internal cable channel
WFWCA	Column mount with ball joint

RELATED PRODUCTS

PTH300	Pan&Tilt series
PTH900	Pan&Tilt series

SPARE PARTS

OHTV32SUSP	Complete upper body
OBKFIL	Replacement filter kit for double filter housings