

HTC

OUTDOOR THERMAL CAMERA

MAIN FEATURES

Uncooled VOx microbolometer
 Resolution 320x256 or 640x512 (PAL)
 Sensitivity 50mK at F/1.0
 Wide range of lenses with different focal length
 Configuration through OSD
 IP66/IP67 (with cable glands or optional sealing rings)
 Arranged for cable management bracket

DESCRIPTION

The thermal camera is an uncooled Vanadium Oxide (VOx) Microbolometer with a spectral band of 7.5-13.5µm; it generates a thermal video of 320x256 (PAL) and 320x240 (NTSC) or 640x512 (PAL) and 640x480 (NTSC), with a frame rate of 8.3fps or 25fps (PAL) and 7.5 or 30fps (NTSC). High sensitivity (50mK at f/1.0) guarantees excellent thermal vision. Supports 2x or 4x digital zoom. Various focal lengths are available, depending on the detection distances required.

The camera also has functions such as the Isothermal analysis (special colors of the objects that fall within the parameters set by the operator), base thermography and other colors of the scene.

Its lateral opening facilitates accessibility to all the connections.

The Germanium glass, with its exceptional features, allows the best transmission of energy from 7.5 up to 13.5µm.

Its weatherproof feature is ensured by neoprene-rubber gaskets and 3 cable glands with their specific gaskets, or by the sealing rings, when installed with bracket with internal cable management.

Various assembly options, wall or ceiling mounted (with or without internal cable channel) and Pan & Tilt.

This solution is particularly suited for round-the-clock video surveillance in a wide range of high security environments such as perimeter protection, airports, coastlines, prisons and harbours.



HTC

HTC - CONFIGURATION OPTIONS

	Camera resolution	Focal length
HTC32K2A	3 320X240	09 9mm
	6 640X480	19 19mm
		25 25mm
		35 35mm

INTEGRATED POSITIONING UNITS
EXPLOSION-PROOF SYSTEMS
STAINLESS STEEL SYSTEMS
DOVE ENCLOSURES
VANDAL RESISTANT HOUSINGS
IR ILLUMINATORS
P&T MOTORS AND TELEMETRY
CAMERA BRACKETS
DIGITAL VIDEO SYSTEMS
CONTROL KEYBOARDS
VIDEO SWITCHING AND DISTRIBUTION
VIDEO TRANSMISSION

TECHNICAL DATA

GENERAL

Aluminium
Sunshield in ABS
Epoxypolyester powder painting, RAL9002 colour
Stainless steel external screws
Supplied with the instruction manual and a salt bag

MECHANICAL

3xM16 cable glands
Germanium glass
Thick: 2mm (0.07in)
External non-scratch treatment (hard carbon coating)
Internal antireflection treatment
Spectral range from 7.5 up to 13.5µm
Average transmission: 7.5 up to 11.5µm, 94%
Average transmission: 11.5 up to 13.5µm, 90%

ELECTRICAL

Heater Ton 15°C±3°C (59°F ±5°F) Toff 22°C±3°C (71.6°F ±5°F)
IN 24Vac, consumption 20W max

COMMUNICATIONS

RS422 Full Duplex for complete control of the camera

ENVIRONMENT

Indoor / Outdoor
Operating temperature with heater: -20°C / +60°C (-4°F / +140°F)
Resistant to salty fog until 1000 hours (according to ISO9227)

CERTIFICATIONS

CE EN61000-6-3, EN60065, EN50130-4
IP66/IP67 EN60529 with cable glands
IP66/IP67 EN60529 with special gaskets and bracket with internal cable channel
IP55 EN60529 with bracket with internal cable channel

ACCESSORIES

OHEH27 Heating 12Vdc/24Vac for HOV, HTV, HTC, VERSO and VERSO COMPACT housings
OHOVTA1 Tamper switch on board with tamper proof screws and key
OHEGBB Weatherproof junction box
OWBIP2 Sealing rings kit (3xM16) IP66/IP67 for WBOVA2 and WCM4A2 brackets for PUNTO, HOV, HTV, HTC, VERSO, VERSO POLAR, VERSO COMPACT, HEB, HEK housings

RELATED PRODUCTS

PTH300 Horizontal/vertical Pan & Tilt
PTH900 Horizontal/vertical Pan & Tilt

BRACKETS AND ADAPTORS

WBJA Wall bracket with ball joint
WBOVA2 Wall bracket with internal cable channel, not compatible with OHEKVF1EB and OHEKVF2EB
WBOV3A2 Wall bracket with internal cable channel, counterplate and support box, not compatible with OHEKVF1EB and OHEKVF2EB
WCM3A Ceiling bracket with ball joint
WCM5A Ceiling bracket with ball joint
WCM4A2 Ceiling bracket with internal cable channel
WFWCA Column bracket with joint

SPARE PARTS

OHTV32SUP Complete upper body
OCTMAN NTC and NTM housing maintenance kit

CORE

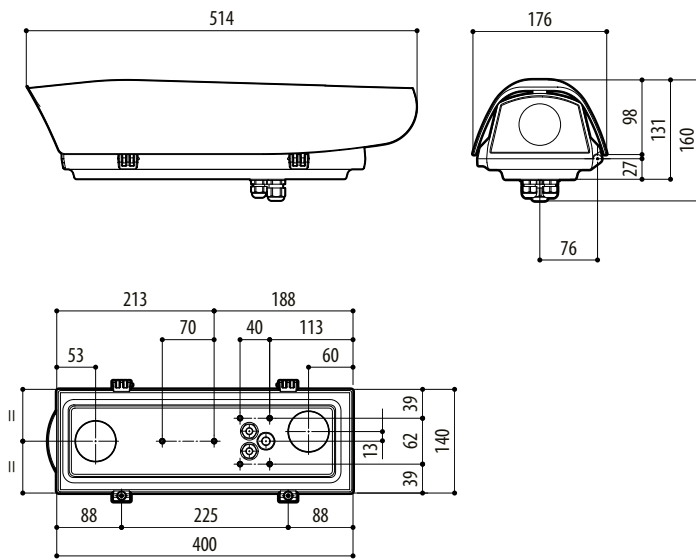
Detector	Uncooled VOx microbolometer			
Resolution	320x256 (PAL)	320x240 (NTSC)	640x512 (PAL)	640x480 (NTSC)
Pixel dimensions	25µm		17µm	
Spectral response - long wave infrared (LWIR)	from 7.5µm a 13.5µm			
Internal shutter (only for sensor compensation)	Video stop < 1sec.			
Digital Detail Enhancement (DDE)	•			
Digital Zoom	2x, 4x			
Image updating frequency	8.3fps, 25fps	7.5fps, 30fps	8.3fps, 25fps	7.5fps, 30fps
Scene temperature range	-40°C ÷ +160°C (-40°F ÷ +320°F)			
Thermal sensitivity (NedT)	< 50mK a f/1.0			

RESOLUTION 320X256					
Focal length	Horizontal field of view	Vertical field of view	F-number	Man (Detection / Recognition / Identification)	Auto (Detection / Recognition / Identification)
9mm	48°	37°	f/1.25	205m / 52m / 26m	590m / 150m / 74m
19mm	24°	20°	f/1.25	450m / 112m / 56m	1280m / 330m / 165m
25mm	20°	14°	f/1.1	590m / 148m / 75m	1650m / 430m / 215m
35mm	13°	10°	f/1.2	800m / 200m / 105m	2250m / 590m / 290m

Lens with other focal lengths on request

RESOLUTION 640X512					
Focal length	Horizontal field of view	Vertical field of view	F-number	Man (Detection / Recognition / Identification)	Auto (Detection / Recognition / Identification)
9mm	69°	56°	f/1.4	250m / 63m / 31m	720m / 175m / 88m
19mm	32°	2.6	f/1.25	570m / 144m / 72m	1550m / 400m / 200m
25mm	25°	20°	f/1.1	820m / 210m / 104m	2200m / 580m / 290m
35mm	20°	14°	f/1.2	1140m / 280m / 142m	3000m / 800m / 200m

Lens with other focal lengths on request



HTC

Sizes in millimeters.

VIDEO TRANSMISSION	VIDEO SWITCHING AND DISTRIBUTION	CONTROL KEYBOARDS	DIGITAL VIDEO SYSTEMS	CAMERA BRACKETS	P&T MOTORS AND TELEMETRY	IR ILLUMINATORS	VANDAL RESISTANT HOUSINGS	DOIME ENCLOSURES	STAINLESS STEEL SYSTEMS	EXPLOSION-PROOF SYSTEMS	INTEGRATED POSITIONING UNITS
--------------------	----------------------------------	-------------------	-----------------------	-----------------	--------------------------	-----------------	---------------------------	------------------	-------------------------	-------------------------	------------------------------