

HOV HI-POE

HI-POE SIDE OPENING ALUMINIUM HOUSING

REVISION 1027



MAIN FEATURES

HiPoE to power heater & network camera

Integrated HiPoE splitter 24W, 12Vdc

Standard cable Cat.5e

Compatible with IEEE 802.3at/PoE Plus

Gigabit ready

Weatherproof standard IP66/IP67

Version with reinforced cooling system

DESCRIPTION

The HOV Hi-PoE housing has been designed to simplify installation and servicing for IP and Megapixel cameras, thanks to the benefits of Hi-PoE (Power over Ethernet). This technology powers the 12Vdc cameras as well as the heater directly from the Ethernet cable. There is no need to add external power sources or bring additional power cables into the enclosure.

If the network does not have Hi-PoE, you can add it by using the 1 channel Power Injector (accessory available as an option). In addition the system is compatible with the standard IEEE 802.3at/PoE Plus.

A special M20 cable gland allows a fast Ethernet connection/disconnection without cutting the RJ45 plug.

The HOV Hi-PoE housing ensures total protection against all environmental conditions. Thanks to the side opening, the accessibility to the camera, lens and all its connections is made far easier. Its weatherproof feature is ensured by a neoprene-rubber gasket.

The body is constructed from aluminium, the sunshield in ABS.

The HOV Hi-PoE offers the possibility of various mounting options: wall or ceiling brackets (feedthrough and non-feedthrough) or Pan & Tilt head.

A specific version with a very efficient cooling system is available for high environmental temperature.



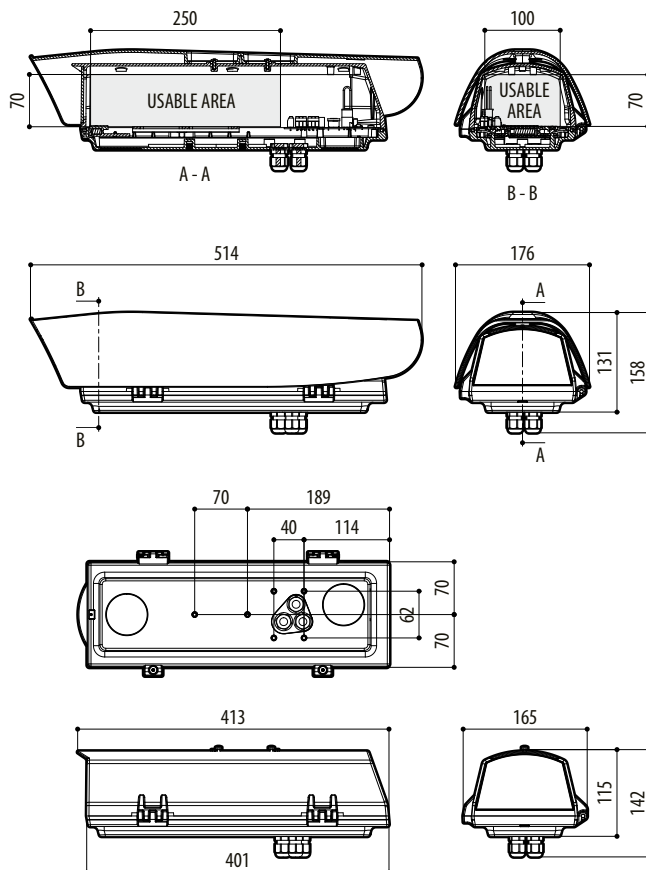
HOV HI-POE



POWER INJECTION



SPLITTER



HOV HI-POE

mm 1:10

HOV HI-POE

AVAILABLE MODELS			
Code	Sunshield	Heater	Blower with double air exchange filter
HOV32K2A600	•	•	
HOV32K2A616	•	•	•

TECHNICAL DATA

GENERAL

Aluminium construction

Sunshield in ABS

Epoxy polyester powder painting, RAL9002 colour

Stainless steel external screws

Supplied with instruction manual, desiccant bag, accessories for camera and lens mounting

MECHANICAL

Cable glands: 1xM12, 1xM16, 1xM20

Glass window (WxH): 118x75mm (4.6x2.7in)

Internal usable area (WxH): 100x70mm (3.9x2.7in)

Internal usable length with and without accessories: 250mm (9.8in)

ELECTRICAL

Available power for camera: 10W, 12Vdc

Heater Ton $15^{\circ}\text{C}\pm 3^{\circ}\text{C}$ ($59^{\circ}\text{F}\pm 5^{\circ}\text{F}$) Toff $22^{\circ}\text{C}\pm 3^{\circ}\text{C}$ ($71^{\circ}\text{F}\pm 5^{\circ}\text{F}$)

Blower with thermostat Ton $35^{\circ}\text{C}\pm 3^{\circ}\text{C}$ ($95^{\circ}\text{F}\pm 5^{\circ}\text{F}$) Toff $20^{\circ}\text{C}\pm 3^{\circ}\text{C}$ ($71^{\circ}\text{F}\pm 5^{\circ}\text{F}$) for version with double filter

PoE IN: 10/100/1000Base-T

Data OUT: 10/100/1000Base-T

DC OUT: 12Vdc, external pole GND

Compatible with the Power Injector (ref. OHEPOWINJ VIDEOTECH accessory)

- 1 channel PoE supply PoE - LAN 10/100/1000Base-T
- IN AC 90/264Vac, 1A
- Operating temperature: $0^{\circ}\text{C}/+40^{\circ}\text{C}$ ($32^{\circ}\text{F}/104^{\circ}\text{F}$)

Compatible also with the standard IEEE 802.3at/PoE Plus

ENVIRONMENT

Indoor / Outdoor

Operating temperature with heater: $-20^{\circ}\text{C} / +50^{\circ}\text{C}$ ($-4^{\circ}\text{F} / +122^{\circ}\text{F}$)

Resistant to salty fog until 1000 hours (according to ISO9227)

CERTIFICATIONS

CE EN61000-6-3, EN60950-1, EN50130-4

IP66/IP67 EN60529 with cable glands

IP66/IP67 EN60529 with special gaskets and bracket with internal cable channel

IP55 EN60529 with bracket with internal cable channel

IP44 EN60529 with cooling blower and double filter

ACCESSORIES

OHEPOWINJ 1 ch. Hi-PoE Power Injector

OWBIP3 Sealing rings kit (1xM12 – 1xM16 – 1xM20) to allow IP66/IP67 protection for WBOVA2 and WCM4A2 brackets

OHEGBB Weatherproof junction box IP55

OSUPPIR Bracket for mounting 1 IR50/IRBD infrared illuminator

BRACKETS AND ADAPTORS

WBJA Wall bracket with ball joint

WBOVA2 Wall bracket with internal cable channel

WBOV3A2 Wall bracket with internal cable channel, support plate and integrated junction box

WCM3A Ceiling bracket with ball joint

WCM5A Ceiling bracket with ball joint

WCM4A2 Ceiling bracket with internal cable channel

WFWCA Column mount with ball joint

RELATED PRODUCTS

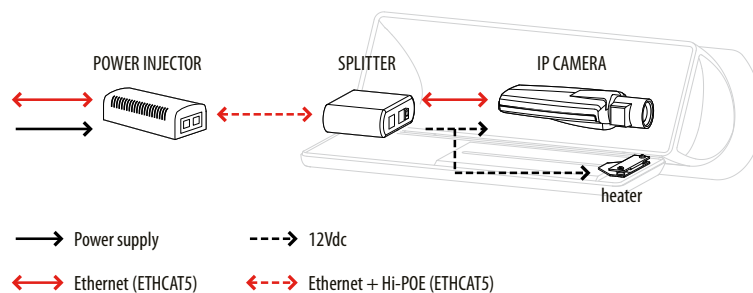
PTH300 Pan&Tilt series

PTH900 Pan&Tilt series

SPARE PARTS

OHOV32SUP Complete upper body

OBKFIL Replacement filter kit for double filter housings



PACKAGE

Code	Unit weight		Package weight		Package dimensions (WxHxL)		Master carton unit
	kg	lb	kg	lb	cm	in	
HOV32K2A600	3.1	6.8	3.5	7.7	19.5x14.5x52.8	7.7x5.7x20.8	4