

MAIN FEATURES

Indoor and Outdoor installations

Side opening, easy camera servicing

Weatherproof standard IP66/IP67

Built-in wiper option

Different mounting options: standard bracket, cable management bracket or P&T

DESCRIPTION

Innovative and stylish housing, designed to simplify installation and servicing, HOV ensures total protection against all environmental conditions. Thanks to the side opening, the accessibility to the camera, lens and all its connections is made far easier.

Its weatherproof feature is ensured by neoprene-rubber gaskets and 3 cable glands with their specific gaskets, or by the sealing rings, when installed with bracket with internal cable management.

The body is constructed from aluminium; the sunshield of ABS material.

HOV offers various mountings modes: wall or ceiling brackets (feedthrough and non-feedthrough) or Pan & Tilt heads. HOV can accommodate most combinations of cameras and lenses.

The housing can be equipped with a built-in, self-parking wiper, to avoid interfering within the viewing range of the camera.

A specific version with a very efficient cooling system is available for installations with IP cameras and for high environmental temperature.

A wide range of accessories is available: sunshield, heater and fan-assisted heater, blower and camera power supply, wiper and alarm tamper switch.

These accessories are supplied as a simple plug-in kit for easy installation or factory-installed.



HOV



HOV + CAMERA



HOV + WIPER



HOV + COOLING SYSTEM

→ VERSION FOR THERMAL IMAGING CAMERAS AVAILABLE: HTV □ 133

TECHNICAL DATA

GENERAL

Aluminium construction
Sunshield in ABS
Epoxypolyester powder painting, RAL9002 colour
Stainless steel external screws
Supplied with instruction manual, desiccant bag, accessories for camera and lens mounting

MECHANICAL

3xM16 cable glands
Glass window (WxH): 118x75mm (4.6x2.7in)
Internal usable area (WxH): 100x70mm (3.9x2.7in)
Internal usable length with and without accessories: 250mm (9.8in)

ELECTRICAL

Heater Ton 15°C±3°C (59°F±5°F) Toff 22°C±3°C (71°F±5°F)

- IN 12Vdc/24Vac, consumption 20W max
- IN 115/230Vac, consumption 40W max

Heater fan assistant, continuous duty

- IN 12Vdc, consumption 4W max
- IN 24Vac, consumption 4W max
- IN 100-240Vac, consumption 4W max, with wide range power supply IN 100-240Vac/12Vdc

Blower with thermostat Ton 35°C±3°C (95°F±5°F) Toff 20°C±3°C (71°F±5°F) for version with double filter

- IN 12Vdc, consumption 4W max
- IN 24Vac, consumption 4W max

Camera power supply

- IN 100-240Vac - OUT 12Vdc, 50/60 Hz, 1A
- IN 230Vac - OUT 24Vac, 50/60Hz, 400mA

Integrated Wiper

- IN 230Vac, consumption 7W max
- IN 24Vac, consumption 7W max

ENVIRONMENT

Indoor / Outdoor
Operating temperature with heater: -20°C / +60°C (-4°F / +140°F)
Resistant to salty fog until 1000 hours (according to ISO9227)

CERTIFICATIONS

CE EN61000-6-3, EN60950-1, EN50130-4
IP66/IP67 EN60529 with cable glands
IP66/IP67 EN60529 with special gaskets and bracket with internal cable channel
IP55 EN60529 with bracket with internal cable channel
IP44 EN60529 for models with cooling blower and double filter

ACCESSORIES

OHOVS32A000	Sunshield
OHEH26	Heater 115/230Vac
OHEH27	Heater 12Vdc/24Vac
OHOV1	Heater fan assistant, continuous duty, IN 12Vdc
OHOV2	Heater fan assistant, continuous duty, IN 24Vac
OHOV3	Heater fan assistant, continuous duty, IN 100/240Vac
OHOVPS1B	Wide range camera power supply IN 100-240Vac - OUT 12Vdc, 1A
OHOVPS2B	Camera power supply IN 230Vac - OUT 24Vac, 400mA
OHOVTA1	Tamper switch on board with tamper proof screws and key
OWBIP2	Kit special gaskets (3xM16) to allow protection IP66/ IP67 for WBOVA2 and WCM4A2 brackets
OHEGBB	Weatherproof junction box IP55
VIPSWAS01	Tank 5l (1,3gal), 230Vac washer pump
VIPSWAS02	Tank 5l (1,3gal), 24Vac washer pump
VIP23WAS01	Tank 23l (6gal), 230Vac washer pump
VIP23WAS02	Tank 23l (6gal), 24Vac washer pump
VIP23WASA01	Tank 23l (6gal), 230Vac washer pump, high delivery up 30m (98ft)
UPTWAS01C	Tank 23l (6gal), IN 230Vac washer pump (prearranged for DTWRX board)
UPTWAS02C	Tank 23l (6gal), IN 24Vac washer pump (prearranged for DTWRX board)
UPTWAS03C	Tank 23l (6gal), IN 120Vac washer pump (prearranged for DTWRX board)
UPTWASA01C	Tank 23l (6gal), IN 230Vac washer pump, high delivery up 30m (98ft) (prearranged for DTWRX board)
UPTWASA03C	Tank 23l (6gal), IN 120Vac washer pump, high delivery up 30m (98ft) (prearranged for DTWRX board)
DTWRX	Optional board for remote control of wiper and washer pump of the UPTWAS series
OSUPPIR	Bracket for mounting 1 IR50/IRBD infrared illuminator

BRACKETS AND ADAPTORS

WBJA	Wall bracket with ball joint
WBOVA2	Wall bracket with internal cable channel
WBOV3A2	Wall bracket with internal cable channel, support plate and integrated junction box
WCM3A	Ceiling bracket with ball joint
WCM5A	Ceiling bracket with ball joint
WCM4A2	Ceiling bracket with internal cable channel
WFWCA	Column mount with ball joint

RELATED PRODUCTS

PTH300	Pan&Tilt series
PTH900	Pan&Tilt series

SPARE PARTS

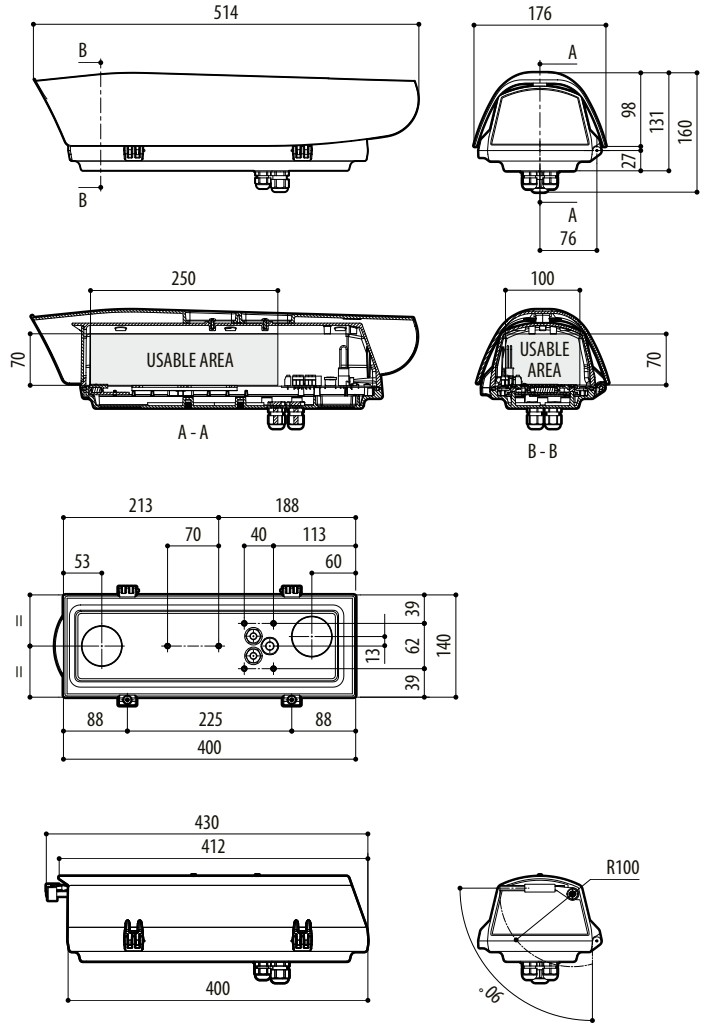
OHOV32SUP	Complete upper body
OBKFIL	Replacement filter kit for double filter housings

PACKAGE

Code	Unit weight		Package weight		Package dimensions (WxHxL)		Master carton unit
	kg	lb	kg	lb	cm	in	
HOV32K	3.0	6.6	3.4	7.5	19.5x14.5x52.8	7.7x5.7x20.8	4
HOV32K1A085B	4.3	9.5	4.8	9.9	19.5x27.0x52.0	7.7x5.7x20.8	4

AVAILABLE MODELS										
Code	Sunshield	Heater 115/230Vac	Heater 12Vdc/24Vac	12Vdc blower with double air exchange filter	24Vac blower with double air exchange filter	PS IN 100/240Vac, OUT 12Vdc, 1A for blower with double air exchange filter	Wall mount WB0VA2	Wiper 24Vac	Wiper 230Vac	Max consumption
HOV32D0A000										
HOV32K0A000	•									
HOV32K0A016	•				•					4W
HOV32K0A017	•			•						4W
HOV32K0A018	•					•				15W
HOV32K0A100	•								•	7W
HOV32K0A147	•				•			•		11W
HOV32K0A200	•							•		7W
HOV32K1A000	•	•								40W
HOV32K1A018	•	•				•				44W
HOV32K1A085B	•	•					•			40W
HOV32K1A100	•	•							•	47W
HOV32K2A000	•		•							20W
HOV32K2A016	•		•*		•					24W
HOV32K2A017	•		•*	•						24W
HOV32K2A085B	•		•				•			20W
HOV32K2A147	•		•*		•			•		31W
HOV32K2A200	•		•*					•		27W

*The housing must have the same supply as the blower.



HOV

mm 1:10