

MAIN FEATURES

Indoor/Outdoor installations

Aluminium epoxy painted

Hinged removable body

Wide range of accessories available

Weatherproof Standard IP66/IP67

DESCRIPTION

The HEM dimensions are suitable to contain cameras equipped with fixed lenses.

Constructed from aluminium. The opening system allows access to the housings for a rapid installation and an easy camera adjustment.

Its weatherproof feature is ensured by EPDM-rubber gaskets and by 2 cable glands.

A wide range of accessories is available: sunshield, heater standard or fan-assisted kit, blower and camera power supply.

The accessories are supplied factory installed or as simple upgrade kit.

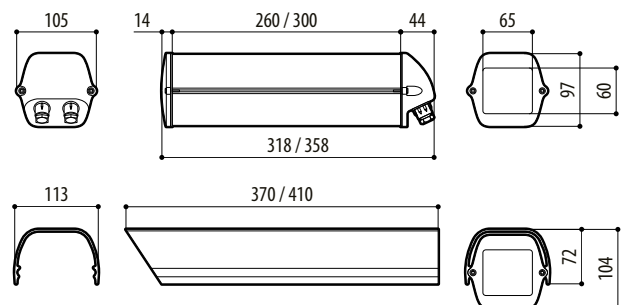
Further, it is also possible to install a blower with an air filter replacing one of the cable glands.



HEM

AVAILABLE MODELS

Code	Sunshield	Heater 115/230Vac	Heater 12Vdc/24Vac	Fan assisted heater 24Vac	Max consumption
HEM26D0A000					
HEM26K0A000	•				
HEM26K1A000	•	•			40W
HEM26K2A000	•		•		20W
HEM30D0A000					
HEM30K0A000	•				
HEM30K1A000	•	•			40W
HEM30K2A000	•		•		20W
HEM30K2A015	•			•	24W



HEM

mm 1:10

TECHNICAL DATA

GENERAL

Aluminium back and front cover plates
 Extruded aluminium body and external slide
 Epoxypolyester powder painting, RAL9002 colour
 Stainless steel external screws
 Supplied with instruction manual, desiccant bag, accessories for camera and lens mounting

MECHANICAL

2xM16 cable glands
 Glass window (WxH): 62x 57mm (2.4x2.2in)
 Internal usable area (WxH): 70x65mm (2.7x2.5in)
 Internal usable length without accessories
 HEM26 260mm (10.2in)
 HEM30 300mm (11.8in)
 Internal usable length with heater and/or power supply
 HEM26 180mm (7in)
 HEM30 230mm (9in)
 Internal usable length with heater and/or blower
 HEM26 190mm (7.5in)
 HEM30 230mm (9in)

ELECTRICAL

Heater Ton 15°C±3°C (59°F±5°F) Toff 22°C±3°C (71°F±5°F)
 • IN 12Vdc/24Vac, consumption 20W max
 • IN 115/230Vac, consumption 40W max
 Blower with thermostat air filter, Ton 35°C±3°C (95°F±5°F) Toff 20°C±3°C (71°F±5°F) and back cover
 • IN 12Vdc, consumption 4W max
 • IN 24Vac, consumption 4W max
 Camera power supply
 • IN 230Vac - OUT 12Vdc, 50/60Hz, 400mA
 • IN 230Vac - OUT 24Vac, 50/60Hz, 400mA

ENVIRONMENT

Indoor / Outdoor
 Operating temperature with heater: -20°C / +60°C (-4°F / +140°F)
 Resistant to salty fog until 1000 hours (according to ISO9227)

CERTIFICATIONS

CE EN61000-6-3, EN60065, EN50130-4
 IP66/IP67 EN60529

ACCESSORIES

OHEMS26A000 Sunshield for HEM26
 OHEMS30A000 Sunshield for HEM30
 OHEH01B Heater 12Vdc/24Vac
 OHEH02B Heater 115/230Vac
 OHEMV1A Blower with thermostat air filter IN 12Vdcr
 OHEMV2A Blower with thermostat air filter IN 24Vac
 OHEPS05 Camera power supply IN 230Vac - OUT 12Vdc, 400mA
 OHEPS06 Camera power supply IN 230Vac - OUT 24Vac, 400mA
 OHEGBB Weatherproof junction box IP55

BRACKETS AND ADAPTORS

WBMA Wall bracket with ball joint
 WCM3A Ceiling bracket with ball joint
 WCM5A Ceiling bracket with ball joint
 WFWCA Column mount with ball joint

RELATED PRODUCTS

PTH300 Pan&Tilt series
 PTH900 Pan&Tilt series

SPARE PARTS

DOTHE02 Spacers for camera and lens
 OHEMMAN Cable glands, gaskets and screws kit
 OHEMFA04 Front cover with screws and gaskets
 OHEMFP04 Back cover with cable glands, screws and gaskets

PACKAGE

Code	Unit weight		Package weight		Package dimensions (WxHxL)		Master carton
	kg	lb	kg	lb	cm	in	unit
HEM26K1	1.8	3.9	2.0	4.4	13.5x13.5x45.0	5.3x5.3x17.7	12
HEM30K1	2.0	4.4	2.2	4.8	13.5x13.5x45.0	5.3x5.3x17.7	12