

MAIN FEATURES

Indoor/Outdoor installations

Extruded aluminium body epoxy painted

Hinged, removable body

Wide range of accessories available

Weatherproof standard IP66/IP67

DESCRIPTION

Elegant design weatherproof housing, constructed from extruded die-cast aluminium, for indoor and outdoor installations.

Its dimensions make it ideal for containing cameras with fixed lenses and compact zooms.

The frontal opening system allows an easy access to the camera.

A tight seal is ensured by EPDM-rubber gaskets and by 2 cable glands with their specific gaskets.

A complete range of accessories is available including: sunshield, normal or fan-assisted heating, blower and power supply for the camera.

It is also possible to install a blower with an air filter, replacing one cable glands.

The accessories are supplied factory installed or as a simple upgrade kit.



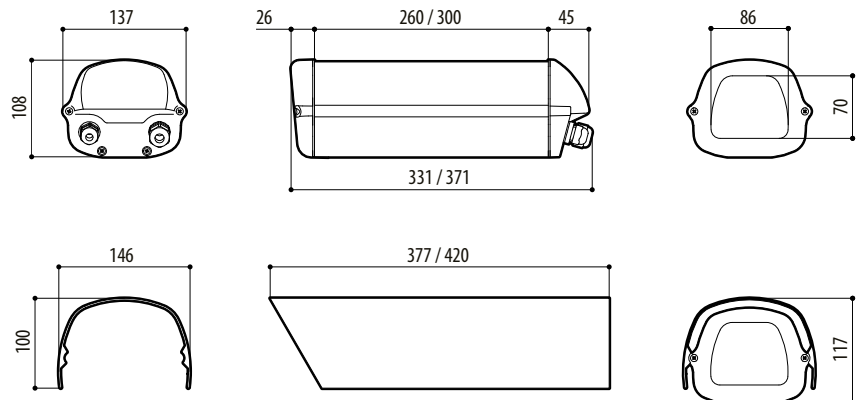
HEA



HEA (WITHOUT SUNSHIELD)



HEA + IR50



HEA

mm 1:10

AVAILABLE MODELS							
Code	Sunshield	Heater 115/230Vac	Heater 12Vdc/24Vac	Fan assisted heater 24Vac	Blower 230Vac with thermostat and filter	Blower 24Vac with thermostat and filter	Max consumption
HEA26D0A000							
HEA26K0A000	•						
HEA26K1A000	•	•					40W
HEA26K2A000	•		•				20W
HEA30D0A000							
HEA30K0A000	•						
HEA30K1A000	•	•					40W
HEA30K2A000	•		•				20W
HEA30K1A011	•	•*			•		44W
HEA30K2A012	•		•*			•	24W
HEA30K2A015	•			•			24W

*The housing must have the same supply as the blower.

TECHNICAL DATA

GENERAL

Aluminium back and front cover plates and internal slide
 Extruded aluminium body and external slide
 Epoxypolyester powder painting, RAL9002 colour
 Stainless steel external screws
 Supplied with instruction manual, desiccant bag, accessories for camera and lens mounting

MECHANICAL

2xM16 cable glands
 Glass window (WxH): 86x 70mm (3.4x2.8in)
 Internal usable area (WxH): 84x70mm (3.3x2.7in)
 Internal usable length without accessories
 HEA26 260mm (10.2in)
 HEA30 300mm (11.8in)
 Internal usable length with heater
 HEA26 180mm (7.0in)
 HEA30 220mm (8.7in)
 Internal usable length with heater and/or power supply
 HEA26 165mm (6.4in)
 HEA30 210mm (8.3in)

ELECTRICAL

Heater Ton 15°C±3°C (59°F±5°F) Toff 22°C±3°C (71°F±5°F)

- IN 12Vdc/24Vac, consumption 20W max
- IN 115/230Vac, consumption 40W max

Blower with thermostat air filter, Ton 35°C±3°C (95°F±5°F) Toff 20°C±3°C (71°F±5°F) and back cover

- IN 12Vdc, consumption 4W max
- IN 24Vac, consumption 4W max
- IN 230Vac, consumption 4W max

Camera power supply

- IN 230Vac - OUT 12Vdc, 50/60Hz, 400mA
- IN 230Vac - OUT 24Vac, 50/60Hz, 400mA

ENVIRONMENT

Indoor / Outdoor

Operating temperature with heater: -20°C / +60°C (-4°F / +140°F)

Resistant to salty fog until 1000 hours (according to ISO9227)

CERTIFICATIONS

CE EN61000-6-3, EN60065, EN50130-4

IP66/IP67 EN60529 with cable glands

ACCESSORIES

OHEAS26A000 Sunshield for HEA26
 OHEAS30A000 Sunshield for HEA30
 OHEH01B Heater 12Vdc/24Vac
 OHEH02B Heater 115/230Vac
 OHEAVF1A Blower with thermostat air filter IN 12Vdc
 OHEAVF2A Blower with thermostat air filter IN 24Vac
 OHEAVF3A Blower with thermostat air filter IN 230Vac
 OHEP505 Camera power supply IN 230Vac - OUT 12Vdc, 400mA
 OHEP506 Camera power supply IN 230Vac - OUT 24Vac, 400mA
 OHEGBB Weatherproof junction box IP55

BRACKETS AND ADAPTORS

WBMA Wall bracket with ball joint
 WCM3A Ceiling bracket with ball joint
 WCM5A Ceiling bracket with ball joint
 WFWCA Column mount with ball joint

RELATED PRODUCTS

PTH300 Pan&Tilt series
 PTH900 Pan&Tilt series

SPARE PARTS

DOTHE02 Spacers for camera and lens
 OHEAMAN Cable glands, gaskets and screws kit
 OHEAFA04 Front cover with screws and gaskets
 OHEAFP04 Back cover with cable glands screws and gaskets

PACKAGE

Code	Unit weight		Package weight		Package dimensions (WxHxL)		Master carton
	kg	lb	kg	lb	cm	in	unit
HEA26K1	2.5	5.5	2.8	6.2	15.5x14.0x43.0	6.1x5.5x16.9	10
HEA30K1	2.8	6.2	3.0	6.6	15.5x14.0x43.0	6.1x5.5x16.9	10