

# GEKO IRN LED ILLUMINATOR



**5 YEARS  
WARRANTY**

### MAIN FEATURES

- High efficiency heat sink body to ensure maximum LED durability
- Strong aluminium structure
- The illuminator is supplied in 24Vac/12-24Vdc or 90-240Vac
- Beam pattern: 10°, 30°, 60°
- Wavelengths 850, 940 nm
- Adjustable light intensity
- Adjustable built-in photocell
- VOLT-free relay input for external activation
- VOLT free relay output for Day/Night camera
- Supplied with a wall-mount bracket
- IP66/IP67

### DESCRIPTION

State of the art illuminator, which provides high reliability and excellent image quality. The GEKO lights the entire scene evenly, eliminating hotspots and underexposures, for unbeatable night-time images and secure surveillance of the area. The high efficiency heat sink body ensures maximum LED durability and protection against over-temperatures, whereas the front glass, made of special technopolymer, provides high infrared transmittance. The GEKO illuminators are protected against electrostatic discharges. The illuminator is available in versions 24Vac/12-24Vdc or 90-240Vac with integrated power supply. GEKO is supplied with a wall-mount bracket that rotates horizontally and vertically.



GEKO IRN 24VAC/12-24VDC



GEKO IRN 24VAC/12-24VDC



GEKO IRN 90-240VAC



GEKO IRN 90-240VAC

### GEKO IRN - CONFIGURATION OPTIONS

	Beam patterns	Power supply	Beam wavelengths		Version	
<b>IRN</b>	<b>10</b> Narrow	<b>A</b> 90-240Vac	<b>8</b> 850nm	<b>A</b>	<b>S</b> Single illuminator	<b>00</b>
	<b>30</b> Medium	<b>B</b> 12-24Vdc, 24Vac	<b>9</b> 940nm			
	<b>60</b> Wide					

**TECHNICAL DATA**

**GENERAL**

Die cast aluminium body  
 Supplied complete with horizontal and vertical rotating support in painted galvanized steel and painted aluminium  
 Wavelengths 850, 940 nm

**MECHANICAL**

Dimensions: see drawings

**ELECTRICAL**

Power supply: 24Vac, 12-24Vdc and 90/240Vac  
 Consumption: 30W  
 State of the art SMD LED  
 Adjustable built-in photocell for automatic activation and deactivation  
 Input for activation by means of a volt free relay contact  
 Clean contact output (Follow)  
 Multipolar cable L: 2m (6.56ft)  
 • Telemetry: 4x0.34mm<sup>2</sup> (AWG22)  
 • Power supply 24Vac, 12/24Vdc: 2x0.75mm<sup>2</sup> (AWG18)  
 • Power supply 90/240Vac: 3x0.75mm<sup>2</sup> (AWG18)

**ENVIRONMENT**

Indoor / Outdoor  
 Operating temperature: -50°C/+60°C (with illuminator on)  
 IP66/IP67 according to EN60529

**CERTIFICATIONS**

Electrical safety: EN60598  
 Photobiological safety of lamps and lamp systems: EN 62471  
 Electromagnetic compatibility: EN55022, Class A  
 Immunity: EN50130-4  
 FCC Part 15, Class A

**PACKAGE**

Unit weight:

IRN10B8AS00	1.7Kg (3.7lb)
IRN10A8AS00	2.2Kg (4.9lb)

Package weight:

IRN10B8AS00	3Kg (6.6lb)
IRN10A8AS00	3.5Kg (7.7lb)

Package dimension (WxHxL):

IRN10B8AS00	30x24x16cm (12x9.5x6.3in)
IRN10A8AS00	30x24x16cm (12x9.5x6.3in)

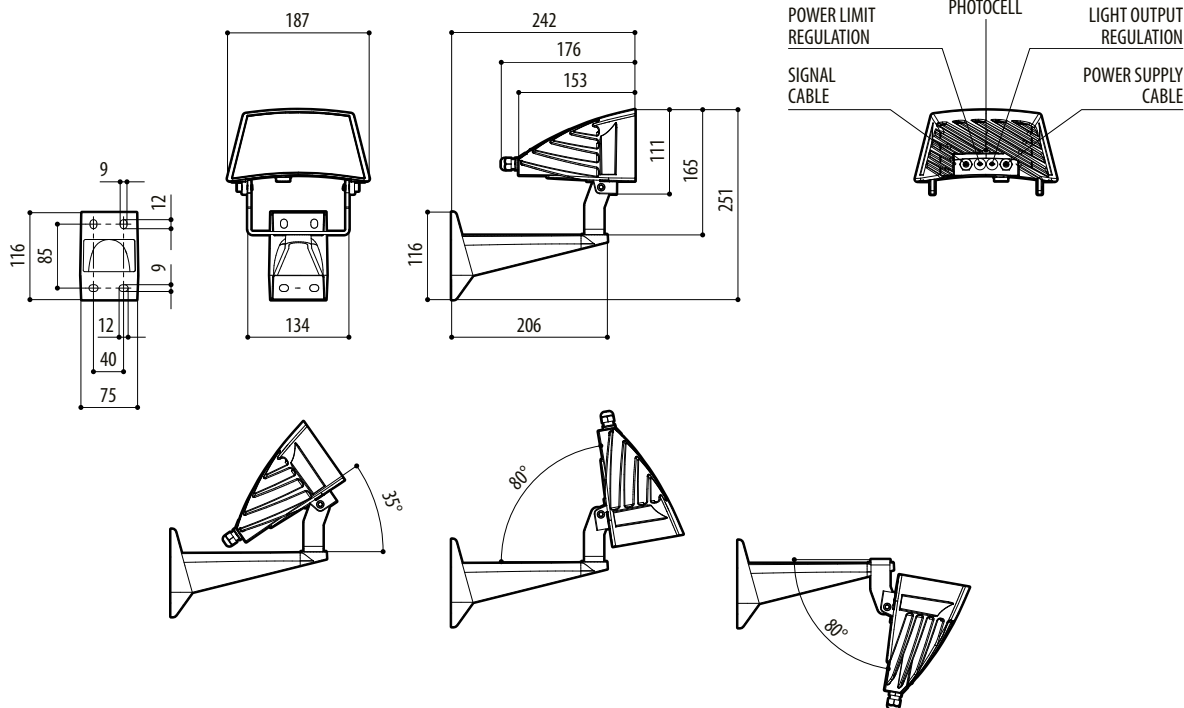
Master carton:

IRN10B8AS00	- Units
IRN10A8AS00	- Units

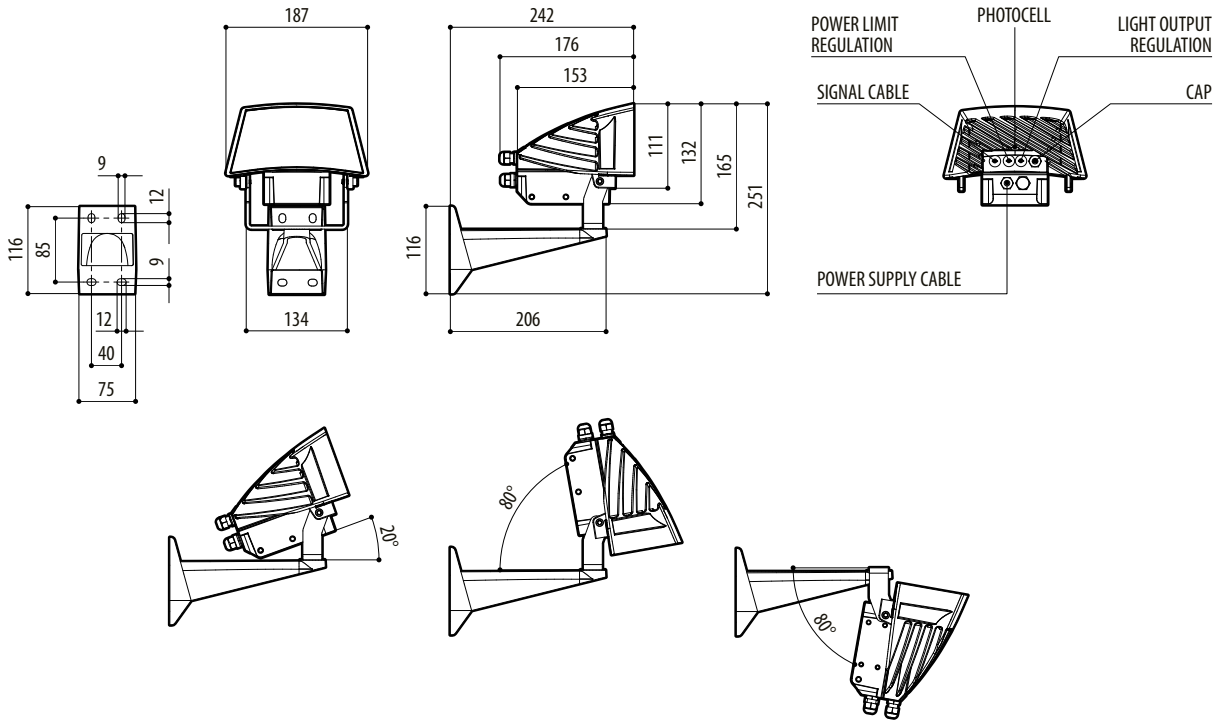
**GEKO IRN - BEAM PATTERN AND ACHIEVABLE DISTANCES FOR ONE ILLUMINATOR**

Horizontal/vertical beam patterns	850nm	940nm
10°	240m	140m (460ft)
30°	130m	80m (262ft)
60°	80m (262ft)	60m (197ft)

*The distances and the performance depend on the camera/lens used and on the environmental conditions.*



GEKO IRN. 24VAC/12-24VDC VERSION.



GEKO IRN. VERSION 90-240VAC.

INTEGRATED POSITIONING UNITS
EXPLOSION-PROOF SYSTEMS
STAINLESS STEEL SYSTEMS
THERMAL CAMERAS
CAMERA HOUSINGS
DOME ENCLOSURES
VANDAL RESISTANT HOUSINGS
ILLUMINATORS FOR SURVEILLANCE
P&T MOTORS AND TELEMETRY
CAMERA BRACKETS
DIGITAL VIDEO SYSTEMS
CONTROL KEYBOARDS
VIDEO SWITCHING AND DISTRIBUTION
VIDEO AND DATA TRANSMISSION

VIDEO AND DATA TRANSMISSION	VIDEO SWITCHING AND DISTRIBUTION	CONTROL KEYBOARDS	DIGITAL VIDEO SYSTEMS	CAMERA BRACKETS	P&T MOTORS AND TELEMETRY	ILLUMINATORS FOR SURVEILLANCE	VANDAL RESISTANT HOUSINGS	DOMES ENCLOSURES	CAMERA HOUSINGS	THERMAL CAMERAS	STAINLESS STEEL SYSTEMS	EXPLOSION-PROOF SYSTEMS	INTEGRATED POSITIONING UNITS
-----------------------------	----------------------------------	-------------------	-----------------------	-----------------	--------------------------	-------------------------------	---------------------------	------------------	-----------------	-----------------	-------------------------	-------------------------	------------------------------

