

# GEKO IRH

## LED ILLUMINATOR



### MAIN FEATURES

- High efficiency SMD LED
- High efficiency heat sink body to ensure maximum LED durability
- Strong aluminium structure
- Beam pattern: 10°, 30°, 60°
- Wavelengths 850, 940 nm
- Adjustable built-in photocell
- VOLT free relay contact for external activation
- It can be mounted under a housing using the OSUPPIR bracket
- Supplied with a wall-mount bracket
- IP66/IP67

### DESCRIPTION

State of the art illuminator, which provides high reliability and excellent image quality. The GEKO lights the entire scene evenly, eliminating hotspots and underexposures, for unbeatable night-time images and secure surveillance of the area. The high efficiency heat sink body ensures maximum LED durability and protection against over-temperatures, whereas the front glass, made of special technopolymer, provides high infrared transmittance. The GEKO illuminators are protected against electrostatic discharges.

These illuminators incorporate a circuit that allows them to be powered directly from a 12-24Vdc or 24Vac supply.

A weatherproof box with 230Vac or 120Vac power supply is available as accessory for one or two GEKO illuminators.

GEKO is supplied with a wall-mount bracket that rotates horizontally and vertically and can be assembled in a housing by means of the OSUPPIR bracket.

**5 YEARS WARRANTY**



GEKO IRH



GEKO IRH



HOV + OSUPPIR + GEKO IRH + WBJA

### GEKO IRH - CONFIGURATION OPTIONS

	Beam patterns	Power supply	Beam wavelengths	
<b>IRH</b>	<b>10</b> Narrow	<b>H</b> High power	<b>8</b> 850nm	<b>A</b>
	<b>30</b> Medium	<b>L</b> Low power	<b>9</b> 940nm	
	<b>60</b> Wide			

**TECHNICAL DATA**

**GENERAL**

Die cast aluminium body  
 Supplied complete with horizontal and vertical rotating support in painted galvanized steel  
 Wavelengths 850, 940 nm

**MECHANICAL**

Dimensions: see drawings

**ELECTRICAL**

Power supply: 12-24Vdc or 24Vac 50/60 Hz  
 Consumption: 6-12W  
 State of the art SMD LED  
 Adjustable built-in photocell for automatic activation and deactivation  
 Input for activation by means of a volt free relay contact  
 Supplied with multipole cable: 4xAWG22 (0,34mm<sup>2</sup>), L=2m

**ENVIRONMENT**

Indoor / Outdoor  
 Operating temperature: -50°C/+60°C (-58°F/+140°F) (with illuminator on)  
 IP66/IP67 according to EN60529

**CERTIFICATIONS**

Electrical safety: EN60598  
 Photobiological safety of lamps and lamp systems: EN 62471  
 Electromagnetic compatibility: EN55022, Class A  
 Immunity: EN50130-4  
 FCC Part 15, Class A

**ACCESSORIES**

IRHPS230 Power supply for 2 GEKO IRH illuminators, IN 230Vac 50/60Hz - OUT 24Vac 30W  
 IRHPS120 Power supply for 2 GEKO IRH illuminators, IN 120Vac 50/60Hz - OUT 24Vac 30W

**BRACKETS AND ADAPTORS**

OSUPPIR Bracket for mounting 1 GEKO IRH or IR50 or IRBD infrared illuminator under the housing

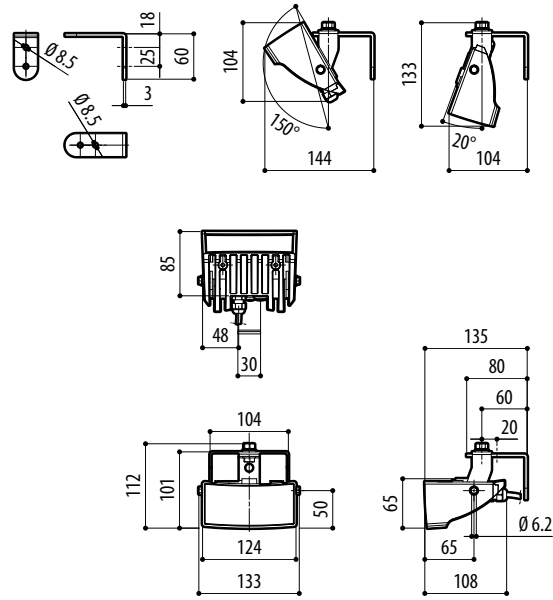
**PACKAGE**

Unit weight:  
 IRH10H8A 0.9kg  
 Package weight:  
 IRH10H8A 1.0kg (2.2lb)  
 Package dimension (WxHxL):  
 IRH10H8A 23x10x16cm (9x3,9x6,3)  
 Master carton:  
 IRH10H8A - Units

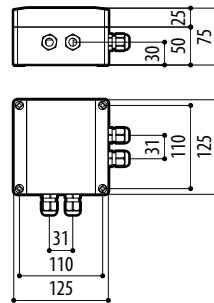
**GEKO IRH - BEAM PATTERN AND ACHIEVABLE DISTANCES**

Horizontal/vertical beam patterns	Wavelength 850nm, low power	Wavelength 850nm, high power (=1,4 x low power)	Wavelength 940nm
10°	100m (328ft)	140m (460ft)	100m (328ft)
30°	60m (197ft)	84m (276ft)	60m (197ft)
60°	40m (131ft)	56m (184ft)	40m (131ft)

*The distances and the performance depend on the camera/lens used and on the environmental conditions.*



GEKO IRH



IRHPS