



# EXPT

## EXPLOSION-PROOF INTEGRATED PAN&TILTS WITH CAMERA HOUSING

### MAIN FEATURES

- Solid anticorodal aluminium construction
- Epoxy polyester powder painting, RAL7032
- Horizontal range 360° with speed 6°/s, vertical range -90° / +90° with speed 2.4°/s
- Absence of external wiring in rotation
- IP66
- Certification ATEX, IECEx, GOST-R e CNEX

### DESCRIPTION

The EXPT system includes a housing with the same characteristics of the EXH and a Pan & Tilt, designed for movement both in horizontal and vertical planes. The peculiar characteristic of the EXPT device is the absence of external wiring in rotation, either for the control of the Pan & Tilt or for the camera and lens. This solution makes the installation and the maintenance of the Pan & Tilt easy. The EXPT includes one multiconductor cable that comes out from the base of the Pan & Tilt through a cable-gland. The EXPT is supplied with preset and housing heater. The EXPT can be equipped with sunshield, autopan, reinforced housing heater and motors heater, and patented glass protection device (model EXPTD).

The glass protection device consists of a connection flange with the housing, a closing flange and an explosion-proof central body containing a rugged and transparent glass, a motor powered in 24Vac, two windings and a transparent Mylar film, installed just in front of the glass. The motor drives, through four pinions with gear rim, the winding for recovering the dirty Mylar film, while at the same time the other winding installed on the opposite side releases the clean film. The Pan & Tilt units EXPT, supplied with integrated camera housing, are made with strong Anticorodal aluminium die-cast alloy of AISi 7Mg EN - AB 42000 group. Depending on the model, all external components are stove enamelled using powder or with special coatings offering an excellent resistance to UV rays, salt-spray, environment polluting substances (mod. 035R, mod.033R). They are constructed according to the 94/9/CE ATEX standard and IEC 60079-0: 2007, IEC 60079-1: 2007, IEC 60079-31: 2008, GOST-R standard and the Chinese standards.



EXPTC + EXPTS



EXPTD + EXPTS



EXPTD035R

### AVAILABLE MODELS

Model Number	Housing heater 24Vac	Pre-wired multipolar cable	Preset	Autopan	Glass protection device	Reinforced heater and P&T heater 24Vac	Max consumption
EXPTC000	•	•	•				145W
EXPTC010	•	•	•	•			145W
EXPTC033R		•	•	•		•	145W
EXPTD001	•	•	•		•		145W
EXPTD011	•	•	•	•	•		145W
EXPTD035R		•	•	•	•	•	145W

**TECHNICAL DATA****GENERAL**

Non-corrosive die-cast aluminium (anticorrosive)

Bicomponent polyurethane enamel with orange peel effect, RAL7032

Special painting for low temperature, blue colour RAL7001 (EXPTC033R, EXPTD035R, EXPTWB00R). Resistant to stress cracking, adverse weather conditions, detergents, salt-spray and typical airborne pollutants

**MECHANICAL**

0-360° horizontal movement

Horizontal speed: 6°/s

Pan Torque: 2.5kgm

±90° vertical movement

Vertical speed: 2.4°/s

Vertical torque: 6kgm

Horizontal limit switch adjustable only for the Autopan function

1 cable gland Ex d 3/4" NPT IP66 ATEX for armoured cables in the base of the P&T according to the housing marking

One multiconductors armoured cable normally supplied 7.5m (24ft) length, diameter 20.8mm (0.8in): 25 poles 0.5mm, 4 poles 1mm, 2 RG175, 75 Ohm

External dimensions:

- EXPTC 427.5x571.4x560mm (16.8x322.5x22in)
- EXPTD 573.5x581x580mm (22.6x22.9x22.8in)

Internal Dimensions:

- EXPTC Ø 180x380mm (7x14.9in)
- EXPTD Ø 180x460mm (7x18.1in)

Internal usable area:

- EXPTC 100x100x280mm (3.9x3.9x11in)
- EXPTD 100x100x280mm (3.9x3.9x11in)

Weight:

- EXPTC 56.5kg / 124.5lb
- EXPTD 62kg / 136.9lb

Glass window:

- EXPTC Ø 114mm (4.5in)
- EXPTD 70x56mm (2.7x2.2in)

Glass protection device:

- Ø 250x140mm (9.8x5.5in)
- Mylar film 80mm (3.1in) wide and 18m (59ft) length, 350 shifting steps, marks printed on the last 50cm (19in)

**ELECTRICAL**

Power supply IN 24Vac, 50/60Hz

Horizontal and vertical motor consumption: 50W max

Standard vertical and horizontal preset potentiometers

Heater Ton 10°C±4°C (50°F±7°F) Toff 25°C±3°C (77°F±5°F)

- IN 24Vac, consumption 20W max

Reinforced heater Ton 10°C±4°C (50°F±7°F) Toff 25°C±3°C (77°F±5°F)

- 3 resistors in the housing
- 2 resistors in the P&T (one for each motor)
- Consumption 100W max

Glass protection device:

- 24Vac/Vdc, consumption 2W max

Devices to install inside the housing

- Camera equipped with lens with max total power of 20W
- Power supply max 24Vac (only for analog camera)
- Usable volume for camera/lens: 2800cm<sup>3</sup>
- Minimum distance between the walls of the housing and the camera/lens: 12mm

**ENVIRONMENT**

Indoor / Outdoor

Operating temperature with heater: -20°C / +50°C (-4°F / +122°F)

Operating temperature with reinforced heater: -40°C / +50°C (-40°F/+122°F)

*Always refer to the temperature in the marking.*

**CERTIFICATIONS**

ATEX (EN 60079-0: 2009, EN 60079-1: 2007, EN 60079-31: 2009)

- II 2G Ex d IIC T6 Gb
- II 2D Ex t IIIC T85 °C Db IP66

CE 0044: notify number from competent body

IECEx (IEC 60079-0: 2007, IEC 60079-1: 2007, IEC 60079-31: 2008)

- Ex d IIC T6 Gb
- Ex t IIIC T85 °C Db IP66

GOST-R

- Ex d IIC T6 Gb
- Ex tb IIIC T85 °C Db IP66

CNEX

- Ex d IIC T6 DIP A21 TA T6

**ACCESSORIES**

EXPTS000 Sunshield 650mm for EXPTC

EXPTS001 Sunshield 760mm for EXPTD

**RELATED PRODUCTS**

EXDTRX3 Data telemetry receiver 17 functions, 230Vac

EXDTRX324 Data telemetry receiver 17 functions, 24Vac

**BRACKETS AND ADAPTORS**

EXPTWB000 Supporto per EXPT RAL7032

EXPTWB00R Supporto per EXPT RAL7001

**SPARE PARTS**

OEXMYLAR Mylar film replacement kit, 18m (59ft), 350 steps

OEXVET Complete front flange with glass for EXHC and EXPTC series, RAL7032

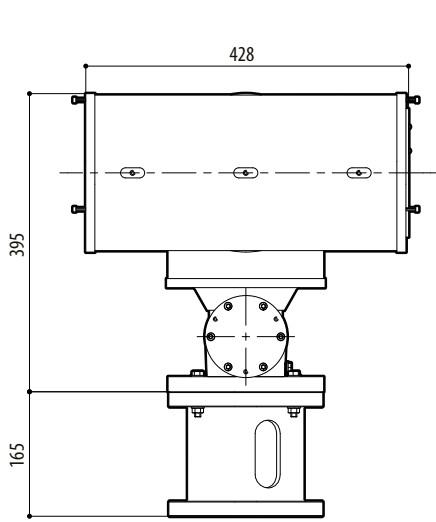
OEXDPV Complete front flange with glass protection device for EXHD and EXPTD series, RAL7032

OSLIEX Internal slide complete with heater for EXHC and EXPTC series

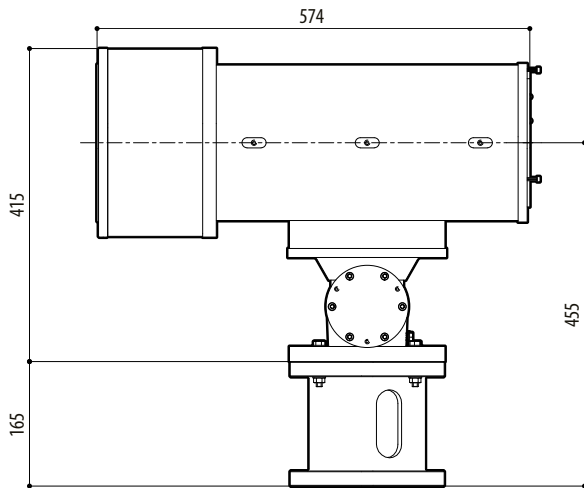
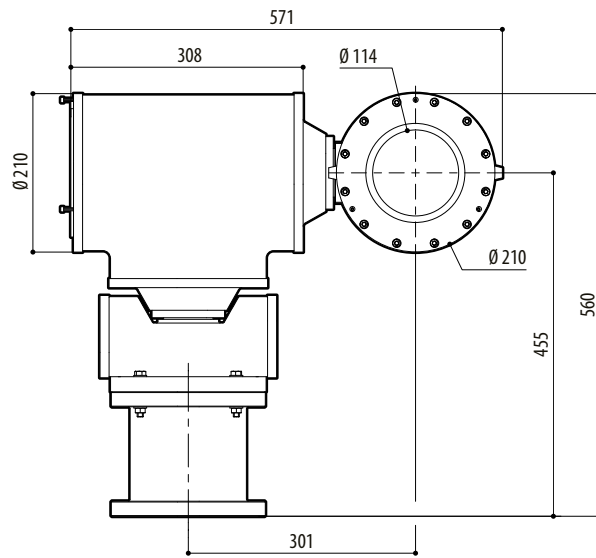
OSLIEXD Internal slide complete with heater for EXHD and EXPTD series

**SELECTION TABLE FOR CABLE GLANDS**

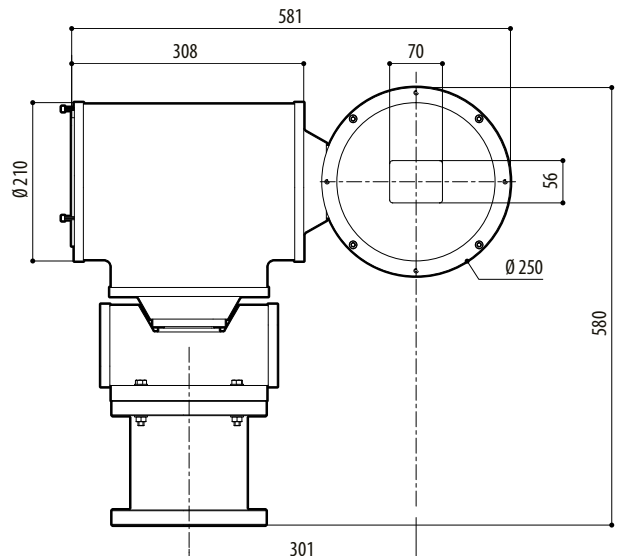
Zone, Gas	Cable gland type	Certification	Operating temperature	Cable	Cable glands part code	Diameter of the external cable (mm)	Under armor cable diameter (mm)
IIC, Zone 1 or Zone 2 IIB or IIA, Zone 1	Barrier	IECEX/ATEX/GOST	-60 / +80°C (-76°F / +176°F)	Not armored	OCTEXB3/4C	13 - 20.2	
				Armored	OCTEXBA3/4C	16.9 - 26	
IIB or IIA, Zone 2	With gasket	IECEX/ATEX/GOST	-60 / +100°C (-76°F / +212°F)	Not armored	OCTEX3/4C	13 - 20.2	
				Armored	OCTEXA3/4C	16.9 - 26	11.1 - 19.7
		ATEX	-20 / +80°C (-4°F / +176°F)	Not armored	OCTEX3/4	14 - 17	
				Armored	OCTEXA3/4	18 - 23	14 - 17



EXPTC



EXPTD



- INTEGRATED POSITIONING UNITS
- EXPLOSION-PROOF SYSTEMS
- STAINLESS STEEL SYSTEMS
- THERMAL CAMERAS
- CAMERA HOUSINGS
- DOME ENCLOSURES
- VANDAL RESISTANT HOUSINGS
- ILLUMINATORS FOR SURVEILLANCE
- P&T MOTORS AND TELEMETRY
- CAMERA BRACKETS
- DIGITAL VIDEO SYSTEMS
- CONTROL KEYBOARDS
- VIDEO SWITCHING AND DISTRIBUTION
- VIDEO AND DATA TRANSMISSION

VIDEO AND DATA TRANSMISSION	VIDEO SWITCHING AND DISTRIBUTION	CONTROL KEYBOARDS	DIGITAL VIDEO SYSTEMS	CAMERA BRACKETS	P&T MOTORS AND TELEMETRY	ILLUMINATORS FOR SURVEILLANCE	VANDAL RESISTANT HOUSINGS	HOME ENCLOSURES	CAMERA HOUSINGS	THERMAL CAMERAS	STAINLESS STEEL SYSTEMS	EXPLOSION-PROOF SYSTEMS	INTEGRATED POSITIONING UNITS
-----------------------------	----------------------------------	-------------------	-----------------------	-----------------	--------------------------	-------------------------------	---------------------------	-----------------	-----------------	-----------------	-------------------------	-------------------------	------------------------------