



EXHC000G-EXPTC010G

EXPLOSION-PROOF HOUSING AND P&T FOR THERMAL IMAGING CAMERAS

MAIN FEATURES

Solid anticorodal aluminium construction

Epoxy polyester powder painting, RAL7032

Germanium glass window

IP66

Certification ATEX e GOST-R

DESCRIPTION

The EXHC000G housing and EXPTC010G P&T are constructed from strong Anticorodal aluminium die-cast alloy of AlSi 7Mg EN - AB 42000 group. They are all equipped with a Germanium viewing window designed for Thermal Imaging Camera installations. The clear Germanium glass composition with remarkable properties covers transmission from 7.5 to 14µm IR range with the best optical quality. All external components are stove enamelled using powder. They are constructed according to the 94/9/CE ATEX standard and GOST-R standard.

EXHC000G

The cylindrical body of EXH housing (diameter 210mm and length 400mm) is closed on the opposite sides by two 12mm thick flanges. The Germanium glass, 12mm thick, offers a viewing window of 114mm diameter. The housing is supplied with two holes for the 3/4" NPT cable glands. The camera housing is equipped with an internal housing heater and an optional sunshield.

EXPTC010G

The EXPT system includes a housing with the same characteristics of the EXHC000G and a Pan & Tilt, designed for movement both in horizontal and vertical planes. The peculiar characteristic of the EXPT device is the absence of external wiring in rotation, either for the control of the Pan & Tilt or for the camera and lens. This solution makes the installation and the maintenance of the Pan & Tilt easy. The EXPT includes one multiconductor cable that comes out from the base of the Pan & Tilt through a cable-gland. The EXPTC010G is supplied with preset, autopan and housing heater and optionally with sunshield.

For full specs on the housing and P&T please check explosionproof housing and P&T data sheets.



EXHC000G + EXHS + EXWBJ



EXPTC010G + EXPTS

AVAILABLE MODELS

Model Number	Housing sunshield	Power supply 24Vac	Ø Germanium glass
EXHC000G	•	•	114mm (4.5in)
EXPTC010G	•	•	114mm (4.5in)

TECHNICAL DATA**GENERAL**

Non-corrosive die-cast aluminium (anticorrosive)
Bicomponent polyurethane enamel with orange peel effect, RAL7032

MECHANICAL

EXHC000G

- 2 inputs 3/4" NPT for cable glands

EXPTC010G

- 1x Ex d 3/4" NPT IP66 ATEX cable gland for armoured cable at the base of the P&T
- One multiconductors armoured cable normally supplied 7.5m (24ft) length, diameter 20.8mm (0.8in): 25 poles 0.5mm, 4 poles 1mm, 2 RG175 of 750hm

Germanium glass window

- 12mm (0.47in) thick, Ø 155mm (6.1in) external, Ø 114mm (4.4in) internal
- External non-scratch treatment (hard carbon coating)
- Internal antireflection treatment
- Spectral range from 7.5 to 14µm IR range
- Average transmission from 7.5 to 11.5µm, 94%
- Average transmission from 11.5 to 14µm, 90%

External dimensions:

- EXHC000G Ø 210x427.5mm (8.2x16.8in)
- EXPTC010G 571.4x427.5x560mm (22.5x16.8x22in)

Internal Dimensions:

- EXHC000G Ø 180x380mm (7x14.9in)
- EXPTC010G Ø 180x380mm (7x14.9in)

Internal usable area:

- EXHC000G 100x100x280mm (3.9x3.9x11in)
- EXPTC010G 100x100x280mm (3.9x3.9x11in)

Weight:

- EXHC000G 15kg / 33lb
- EXPTC010G 56.5kg / 124.5lb

CERTIFICATIONS

ATEX (EN 60079-0: 2009, EN 60079-1: 2007, EN 60079-31: 2009)

- II 2G Ex d IIC T6 Gb
- II 2D Ex t IIIC T85 °C Db IP66

© 0044: notify number from competent body

GOST-R

- Ex d IIC T6 Gb
- Ex tb IIIC T85 °C Db IP66

ACCESSORIES

EXHS000 Sunshield 650mm (25,6in) for EXHC

EXPTS000 Sunshield 650mm for EXPTC

RELATED PRODUCTS

EXDTRX3 Data telemetry receiver 17 functions, 230Vac

EXDTRX324 Data telemetry receiver 17 functions, 24Vac

BRACKETS AND ADAPTORS

EXWB000 Bracket and ball joint for EXH RAL7032

EXBJ000 Ball joint for EXH RAL7032

EXPTWB000 Supporto per EXPT RAL7032

SPARE PARTS

OCTEX3/4C Cable gland with gasket EX 3/4" NPT, unarmoured cable IECEX-ATEX-GOST

OCTEXA3/4C Cable gland with gasket EX 3/4" NPT, armoured cable IECEX-ATEX-GOST

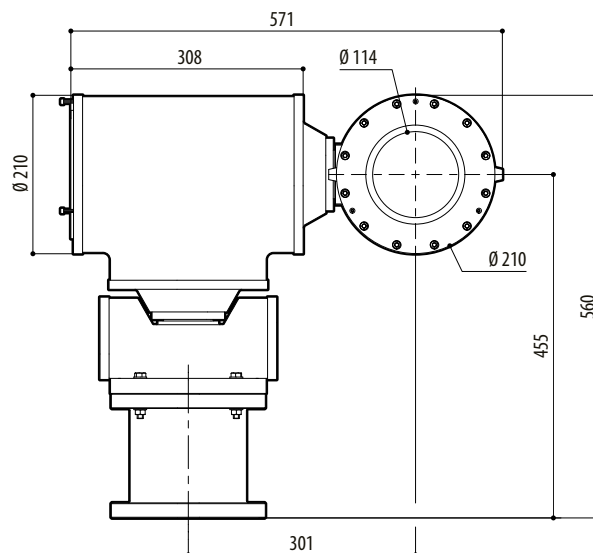
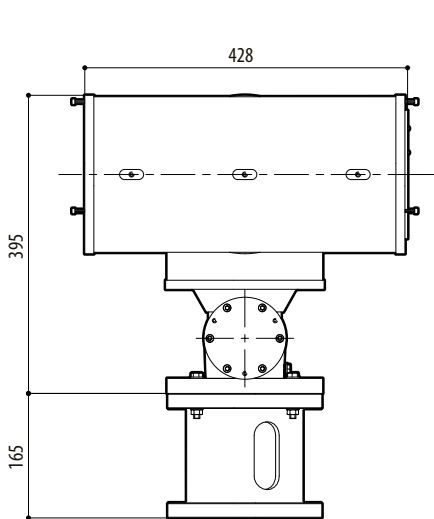
OCTEXB3/4C Barrier cable gland 3/4" NPT, unarmoured cable IECEX-ATEX-GOST

OCTEXBA3/4C Barrier cable gland 3/4" NPT, armoured cable IECEX-ATEX-GOST

OCTEX3/4 Cable gland with gasket EX 3/4" NPT, unarmoured cable ATEX

OCTEXA3/4 Cable gland with gasket EX 3/4" NPT, armoured cable ATEX

OEXPLUG3/4 Plug EX 3/4" NPT IECEX, ATEX, GOST



EXHC000G - EXPTC010G