

EXDTRX3-EXDTRX324

EXPLOSION-PROOF TELEMETRY RECEIVERS

REVISION 1140

MAIN FEATURES

- Explosion-proof certified

- Indoor / Outdoor installations

- Control of ex-proof Pan & Tilt

DESCRIPTION

Telemetry receiver in explosion-proof box for the control of EXPTC and EXPTD explosion-proof Pan & Tilt. It allows installations in potentially hazardous areas.

EXDTRX3 allows the full control of Pan & Tilt's functions, presets and lens.

Epoxy polyester powder painting, RAL7032 colour, IP66. It is supplied with 4 holes for the 3/4" NPT cable glands.

Available in 230Vac, EXDTRX3, and in 24Vac, EXDTRX324.



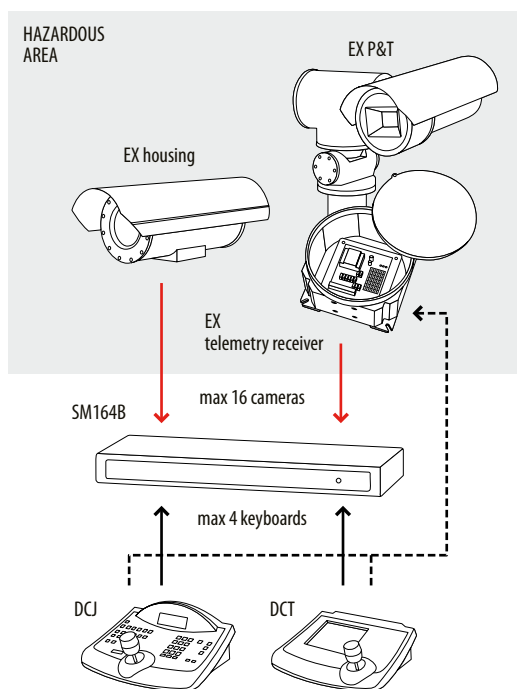
EXDTRX324



EXDTRX3



EXDTRX3 - EXDTRX324



- Twisted pair RS485 (max distance 1200m / 3937ft)
- - -→ Twisted pair RS485 (max distance 1200m / 3937ft) telemetry only
- Video-coax only (max distance 350m / 1148ft)

EXDTRX3-EXDTRX324

TECHNICAL DATA

GENERAL

Constructed from aluminium alloy
 Neoprene gaskets
 Stainless steel screws
 Epoxypolyester powder painting, RAL7032colour
 Supplied with 2x3/4" GAS plugs and instruction manual

MECHANICAL

External Dimensions: 410x410x296mm (16.1x16.1x11.6in)
 Internal Dimensions: 353x353x206mm (13.8x13.8x8.1in)

ELECTRICAL

Power Supply
 • IN 230Vac, 50/60Hz, 40W max
 • IN 24Vac, 50/60Hz, 40W max
 Max switching power: 100W
 Power supplied to the positioning device: 24Vac, 50/60Hz
 Power supplied to glass protection device: 24Vac
 Power supplied to the lens: OUT 3-12Vdc (max 100mA)
 999 selectable addresses through Dip Switches
 Ability of using both polarity inversion lenses and common wire lenses
 LED indicating power supplied to the unit
 LED indicating active functions
 EEPROM for the storage of active options
 16 bit microcontroller with re-programmable Flash memory
 PRESET / SCAN / PATROL functions with an automatic recognition of the existing functions
 Ability to memorize up to 14 PRESET functions (P&T motor, lens). Up to 40 positions if combined with DCJ and DCT keyboards
 4 alarm contacts set as N.O. or N.C.

COMMUNICATIONS

Serial input selectable between RS232 / Current Loop / RS485
 Selectable communication speed (38400 / 19200 / 9600 / 1200 / 300 Baudrate)
 RS232, RS485 and Current Loop repeater for in-line configuration

PROTOCOLS

PELCO D (2400, 4800, 9600, 19200 Baudrate)
 VIDEOTECH (300, 1200, 9600, 19200 Baudrate)
 VIDEOTECH MACRO (1200, 9600, 19200, 38400 Baudrate)

ENVIRONMENT

Indoor / Outdoor
 Operating temperature: 0°C / +50°C (+32°F / +122°F)

CERTIFICATIONS

ATEX
 • II 2 GD Exd IIC T6 Ex tD A21 IP66 T85°C
 CE 0722: notify number from competent body
 GOST-R
 • 1 Ex d IIC T6 и DIP A21 T_A T85°C
 CNEX
 • Ex d IIC T6 DIP A21 TA T6

RELATED PRODUCTS

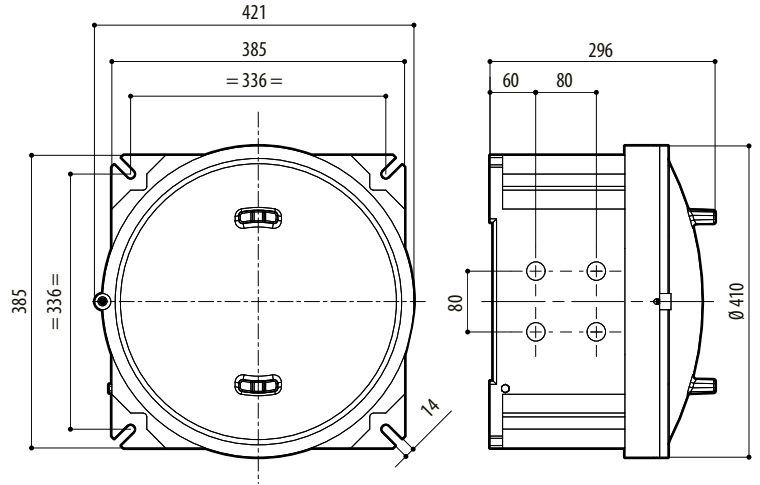
EXPTC	Ex P&T
EXPTD	Ex P&T
DCTEL	Matrix and Telemetry Control Keyboard
DCJ	Matrix, Mux and Telemetry Control Keyboard with three axis joystick
DCT	Matrix, Mux, DVR and Telemetry Control Keyboard touch screen equipped with three axis joystick
SM42A-SM82A	Matrix 4/8 inputs and 2 outputs
SM84B-SM164B	Matrix 8/16 inputs and 4 outputs
SM328B	Matrix 32 inputs and 8 outputs

SELECTION TABLE FOR CABLE GLANDS OF EXH SERIES HOUSINGS AND EXDTRX3/EXDTRX324 TELEMETRY RECEIVERS

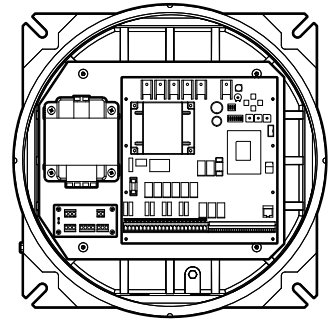
Zone - Gas	Cable gland type	Certification	Operating temperature	Cable	Cable glands part code	External diameter (mm)	Diameter under armour (mm)
IIC Zone 1 or Zone 2	Barrier	IECEX / ATEX / GOST	-60 / +80°C -76 / 176°F	Not armored	OCTEXB3/4C	13 - 20.2	-
IIB Zone 1				Armored	OCTEXBA3/4C	16.9 - 26	-
IIB o IIA Zone 2	With gasket	IECEX / ATEX / GOST	-60 / +100°C -76 / 212°F	Not armored	OCTEX3/4C	13 - 20.2	-
				Armored	OCTEXA3/4C	16.9 - 26	11.1 - 19.7
		ATEX	-20 / +80°C -4 / 176°F	Not armored	OCTEX3/4	14 - 17	-
				Armored	OCTEXA3/4	18 - 23	14 - 17

PACKAGE

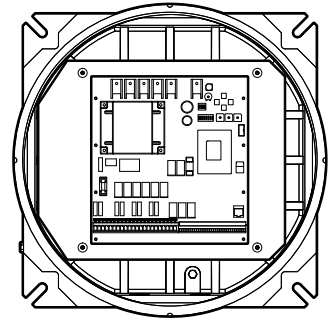
Code	Unit weight		Package weight		Package dimensions (WxHxL)		Master carton
	kg	lb	kg	lb	cm	in	unit
EXDTRX324	29.0	63.9	30.5	67.2	50.0x50.0x36.0	19.7x19.7x14.2	-
EXDTRX3	32.0	70.5	33.5	73.8	50.0x50.0x36.0	19.7x19.7x14.2	-



EXDTRX3 - EXDTRX324



EXDTRX3



EXDTRX324

mm 1:10

