

DSBH24-DSBH120

DISCREET SURVEILLANCE CEILING ENCLOSURES

REVISION 0945



MAIN FEATURES

Indoor ceiling and false-ceiling installations

Dome constructed from PMMA

Camera bracket with joint included

DESCRIPTION

Dustproof dome housings constructed from aluminium and lower bubble in PMMA. They allow the camera perfect camouflage, without compromising the quality of the video image.

The internal dimensions are suitable for CCD cameras. They don't need any bracket and can be directly attached to the ceiling or the false ceiling. Supplied with camera bracket and joint.

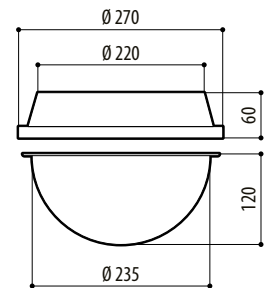
The installation is quick and allows easy access to the camera for maintenance or an eventual repositioning.



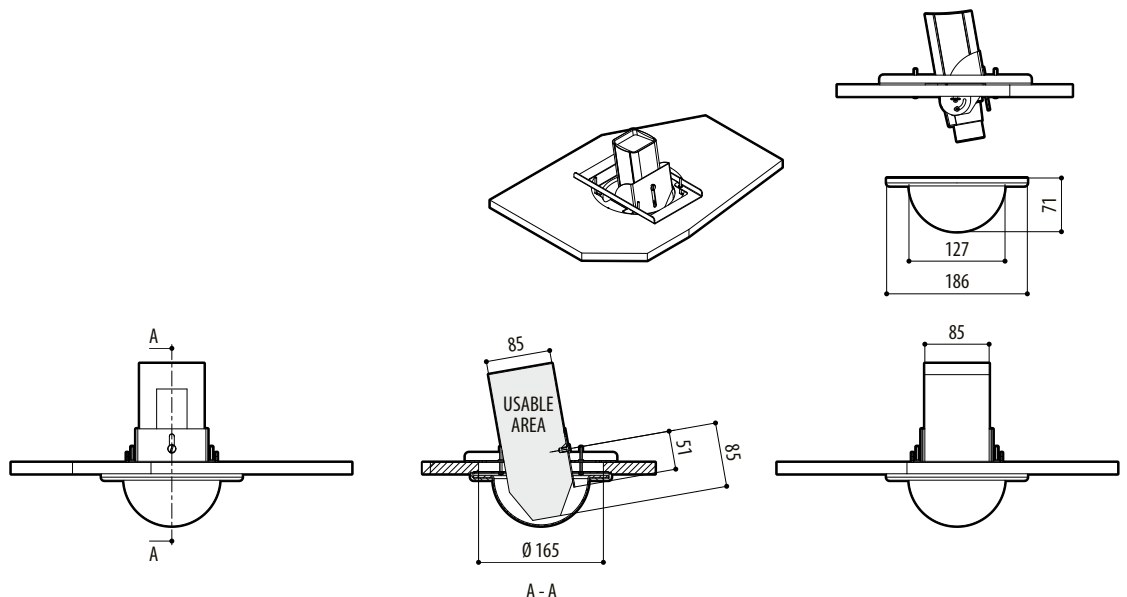
DSBH24



DSBH120



DSBH24



DSBH120

mm 1:10

DSBH24-DSBH120

AVAILABLE MODELS

DSBH24	Smoked half sphere-dome (Ø 240mm/9.4 in)
DSBH24TR	Half sphere-dome with transparent bubble (Ø 240mm/9.4in)
DSBH120	Smoked ceiling mount dome camera housing
DSBH120TR	Trasparent ceiling mount dome camera housing

TECHNICAL DATA

GENERAL

Upper part constructed from painted aluminium
Smoked or transparent half-sphere in PMMA

MECHANICAL

DSBH24

External dimensions: 270x180mm (10.6x7in)

Bubble: Ø 235mm (9.25in)

DSBH120

External dimensions: Ø 185mm (7.3in)

Bubble: Ø 120mm (4.7in)

ENVIRONMENT

Indoor

CERTIFICATIONS

CE EN61000-6-3, EN60065, EN50130-4

SPARE PARTS

OSBH24PLEXTS Transparent bubble for DSBH24

OSBH24PLEX Smoked bubble for DSBH24

PACKAGE

Code	Unit weight		Package weight		Package dimensions (WxHxL)		Master carton
	kg	lb	kg	lb	cm	in	unit
DSBH24	1.0	2.2	1.6	3.5	31.0x23.5x31.0	12.2x9.2x12.2	4
DSBH120	0.6	1.3	0.8	1.7	14.0x25.5x20.0	5.5x10.0x7.8	15