

MAIN FEATURES

Microprocessor controlled

RS485 communication

Ergonomic design

Telemetry control

DESCRIPTION

The microprocessor controlled DCTEL keyboard allows you to interface and control the video switching of SM42B-SM82B, SM84B-SM164B.

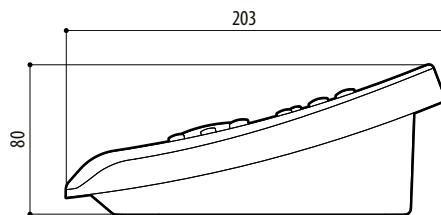
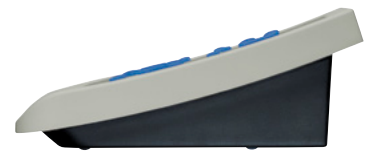
The operator can manage the following control functions: video switching, sequences and alarm reset, to matrix set-up through On Screen Display. The DCTEL can control up to 16 digital telemetry receivers and the preset and scan functions with the DTRX3 receiver. Two serial RS485 communication lines: one for the video matrix, one for the management of the telemetry.

The telemetry control can also be performed indirectly through the matrix or over the matrix RS485 dedicated serial output: autopan, preset, scan, zoom, focus, iris and Aux.

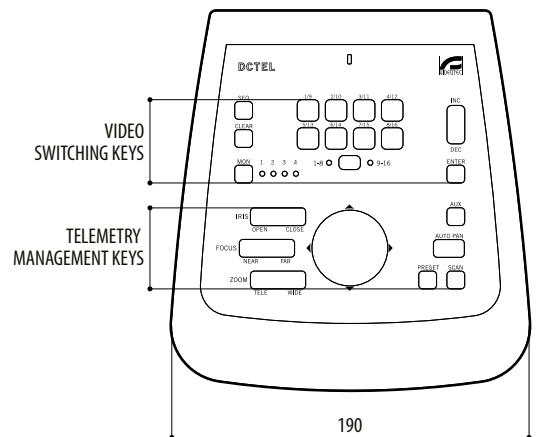
The DCTEL can be fed by the supplied external power supply or directly by the matrix up to a maximum of 700m (2297ft).



DCTEL



DCTEL



mm 1:4

TECHNICAL DATA

GENERAL

Control of max 16 cameras and 16 telemetry receivers
 P&T control, autopan, preset, scan, zoom, focus, iris, Aux
 Max 8 preset positions for each P&T
 Alarm reset
 Supplied with instruction manual, wide range power supply, 3 power cables, 4 RJ11 telephone cables, 4 jack shunt boxes RJ

MECHANICAL

Thermo resistant and shock proof ABS material
 22 rubber keys
 Dimensions 80x190x205mm (3.4x7.5x8in)
 2 connectors RJ11
 Power supply jack connector
 Configuration Dip-Switch
 4 LEDs indicating the active monitor
 8 LEDs indicating the active camera
 2 LEDs indicating the active camera group (cameras 1 to 8 or cameras 9 to 16)
 Power supply LED

ELECTRICAL

Power supply
 • IN 100-240Vac - OUT 12Vdc, 47/63Hz, 1A
 It can be fed directly by matrix SM42B-SM82B, SM84B-SM164B to a maximum of 700m (2297ft)

PROTOCOLS

Video Line
 • VIDEOTECH (1200, 9600, 19200, 38400 baudrate)
 • MACRO (1200, 9600, 19200, 38400 baudrate)

Telemetry Line
 • VIDEOTECH (1200, 9600, 19200, 38400 baudrate)
 • MACRO (1200, 9600, 19200, 38400 baudrate)
 • PELCO D (2400 baudrate)
 • ENEO (1200, 9600, 19200, 38400 baudrate)

PELCO and ENEO are registered trademarks.

COMMUNICATIONS

Two RS485 lines for communication:
 • one line for communication with matrix to a maximum of 1200m (3937ft)
 • one line for telemetry control up to 16 receivers

Selection of communication rates

ENVIRONMENT

Indoor
 Operating temperature: 0°C / +40°C (+32°F / +104°F)

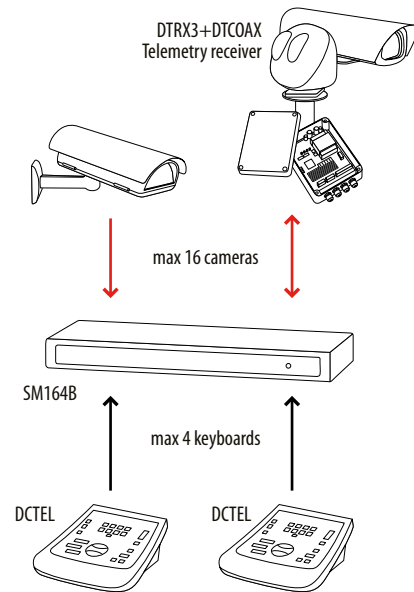
CERTIFICATIONS

CE EN61000-6-3, EN60950-1, EN55022 Class B, EN50130-4
 FCC Part. 15 Class B

RELATED PRODUCTS

SM42B-SM82B Matrix 4/8 inputs and 2 outputs
 SM84B-SM164B Matrix 8/16 inputs and 4 outputs
 MICRODEC485 Mini telemetry receiver 8 functions, 24Vac
 DTMRX224 Telemetry receiver 12 functions, 24Vac
 DTMRX2 Telemetry receiver 12 functions, 230Vac
 DTRX324 Telemetry receiver 17 functions, 24Vac
 DTRX3 Telemetry receiver 17 functions, 230Vac
 DTCOAX Over the coax board for DTRX3 only trough matrix series SM
 DTRXDC Telemetry receiver 13 functions, for PTH355P (only fix speed)

Retrofit on discontinued products: contact VIDEOTECH for further specifications.



—→ Twisted pair RS485 (max distance 1200m / 3937ft)

- - -→ Twisted pair RS485 (max distance 1200m / 3937ft) telemetry only

—→ Video-coax only (max distance 350m / 1148ft)

PACKAGE

Code	Unit weight		Package weight		Package dimensions (WxHxL)		Master carton unit
	kg	lb	kg	lb	cm	in	
DCTEL	0.6	1.3	1.9	4.2	31.0x17.4x26.4	12.2x6.1x10.4	5