

DBH24K

DOME HOUSING FOR DISCREET SURVEILLANCE

REVISION 1120



MAIN FEATURES

Indoor/Outdoor installations

Internal adapters for fixed cameras or for speed domes and network cameras

Protection rating IP65

Fan-assisted heater

DESCRIPTION

Dome housing for indoor and outdoor installations for the discreet surveillance of the area, thanks to its special design to look like a normal lighting system.

Constructed from plastic, the lower hemisphere is available in a smoked or transparent PMMA.

Easy to install, this model can house 1/2", 1/3" and 1/4" cameras equipped with a fixed focus or small zoom lenses and some types of high speed dome and network cameras. The housing and its accessories allow it to be attached to the ceiling or wall allowing for internal passage and protection of the cables.

The base model is supplied with internal adapters for various cameras, speed domes or network cameras and includes sunshield and fan-assisted heater.



DBH24K + DBH04



DBH24K (PANASONIC ADAPTOR) + DBH04



DBH24K0F022 + DBH05

DBH24K

AVAILABLE MODELS

Dome enclosure	
DBH24K0F022	Dome enclosure with sunshield and smoked bubble (camera adapter not included)
DBH24K0F028	Dome enclosure with Sunshield and clear bubble (camera adapter not included)

TECHNICAL DATA

GENERAL

Constructed from plastic material, black colour (Nylon with mineral additives)
 Lower hemisphere in smoked or transparent PMMA
 Sunshield in ABS material colour RAL9002

MECHANICAL

External Dimensions with sunshield Ø 326x325mm (12.8x12.8in)

ELECTRICAL

Fan assisted heater, Ton 15°C±3°C (59°F ±5°F) Toff 22°C±3°C (71.6°F ±5°F)

- IN 12Vdc, consumption 24W max
- IN 24Vac, consumption 24W max
- IN 230Vac, consumption 44W max

Fixed camera power supply

- IN 230Vac - OUT 12Vdc, 50/60Hz, 400mA max
- IN 230Vac - OUT 24Vac, 50/60Hz, 400mA max

ENVIRONMENT

Indoor / Outdoor

Operating temperature with heater: -20°C / + 60°C (-4°F / +140°F)

CERTIFICATIONS

IP65 EN60529

CE EN61000-6-3, EN60065, EN50130-4

ACCESSORIES

OBH24PS1 Power supply IN 230Vac - OUT 12Vdc, 400mA

OBH24PS2 Power supply IN 230Vac - OUT 24Vac, 400mA

Check the available internal adapters in the related chart.

BRACKETS AND ADAPTORS

DBH03 Ceiling mount

DBH04 Wall mount

DBH05 Parapet mount

DPTCH1 Pole adapter for DBH04

DBHWGC Pole adapter Ø 210mm max 225mm (8.2"max 8.85")

DCWGH Corner adapter for DBH04

SPARE PARTS

OBH24PLBF Smoked bubble

OBH24PLBTS Transparent bubble

OBH24H1 Fan assisted heater IN 230Vac, 44W

OBH24H2 Fan assisted heater IN 24Vac, 24W

OBH24H3 Fan assisted heater IN 12Vdc, 24W

Unit weight:

DBH24K 2.7kg / 5.9lb

Package weight:

DBH24K 4.2kg / 9.3lb

Package dimensions (WxHxL):

DBH24K 38.5x38.5x47cm / 15.1x15.1x18.5in

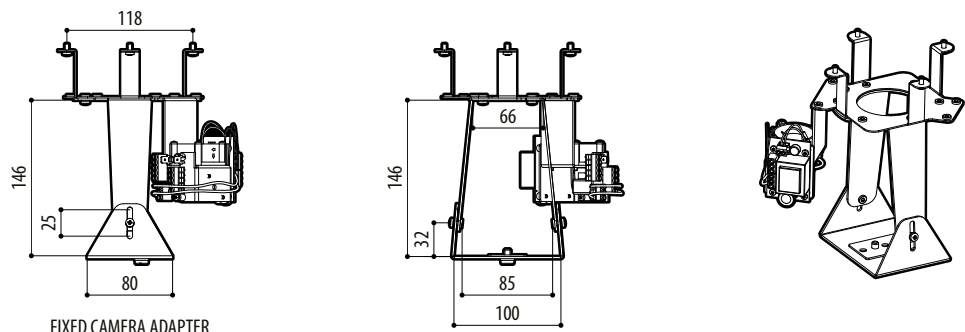
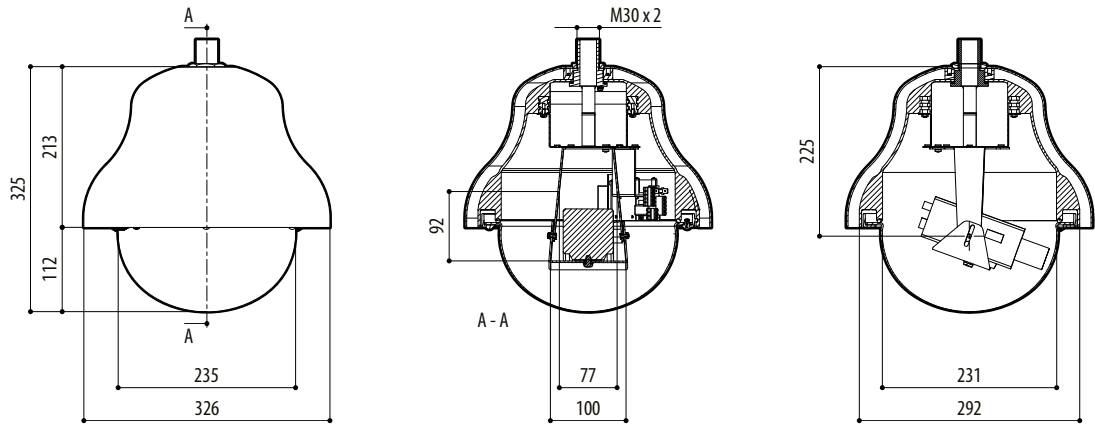
Master carton:

DBH24K -

PACKAGE

Code	Unit weight		Package weight		Package dimensions (WxHxL)		Master carton
	kg	lb	kg	lb	cm	in	unit
DBH24K	2.7	5.9	4.2	9.3	38.5x38.5x47.0	15.1x15.1x18.5	-

DBH24 ADAPTERS				
	Models	Adapter	Heater 230Vac	Heater 24Vac
FIXED CAMERA		ODBH24H000		
		ODBH24H100	•	
		ODBH24H200		•
AMERICAN DYNAMICS	ULTRA 8	ODBH24H221		•
AXIS	213	ODBH24H144	•	
	213	ODBH24H244		•
	214	ODBH24H151	•	
	231	ODBH24H149	•	
	231	ODBH24H249B		•
CANON	VB-CS0iR	ODBH24H144	•	
	VB-CS0iR	ODBH24H244		•
PANASONIC	WV-CS570, WV-CS320, VW-CS850, NS320	ODBH24H121	•	
	WV-CS570, WV-CS320, VW-CS850, NS320	ODBH24H221		•
	WV-CS950	ODBH24H149	•	
	BB-HCM580	ODBH24H150	•	
	NS-202	ODBH24H154	•	
SONY	SNC-RZ30P, EVI-D70P/W	ODBH24H142	•	
	SNC-RZ30P, EVI-D70P/W	ODBH24H242		•
	SNC-RZ25P, SNC-RZ50P	ODBH24H248B		•
TOSHIBA	IK-WB21A, IK-WB21E	ODBH24H152	•	
	IK-WB21A, IK-WB21E	ODBH24H252		•



FIXED CAMERA ADAPTER

DBH24K

mm 1:10

