

BRACKETS AND ADAPTERS FOR MAXIMUS

REVISION 1209

MPXCOL - POLE MOUNT ADAPTER

Polished AISI 316L stainless steel

For pole diameters: 110-150mm

Suitable for MPXWBA bracket

Load rating: 50kg (110lb)

MPXCW - CORNER MOUNT ADAPTER

Polished AISI 316L stainless steel

Suitable for MPXWBA bracket

Load rating: 50kg (110lb)

MPXWBA - WALL MOUNT

In acciaio Inox brillantato AISI 316L

Load rating: 40kg (88lb)

Can be coupled with modular MPXCW and MPXCOL components

MPXWBTA - PARAPET OR CEILING MOUNTING BRACKET

Polished AISI 316L stainless steel

Load rating: 40kg (88lb)



MPXCOL



MPXCW



MPXWBA



MPXWBTA

INTEGRATED
POSITIONING UNITS

STAINLESS STEEL
SYSTEMS

CAMERA
HOUSINGS

DOME
ENCLOSURES

VANDAL RESISTANT
HOUSINGS

IR
ILLUMINATORS

P&T MOTORS
AND TELEMETRY

CAMERA
BRACKETS

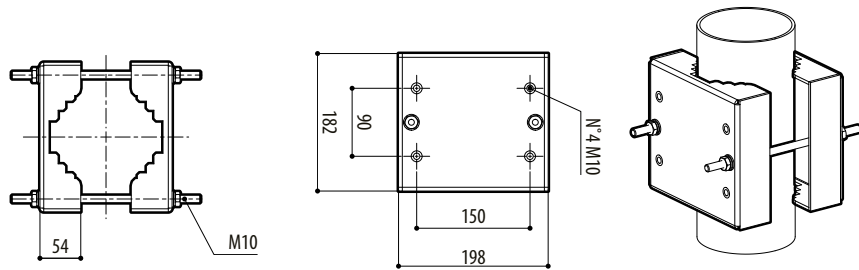
DIGITAL
VIDEO SYSTEMS

CONTROL
KEYBOARDS

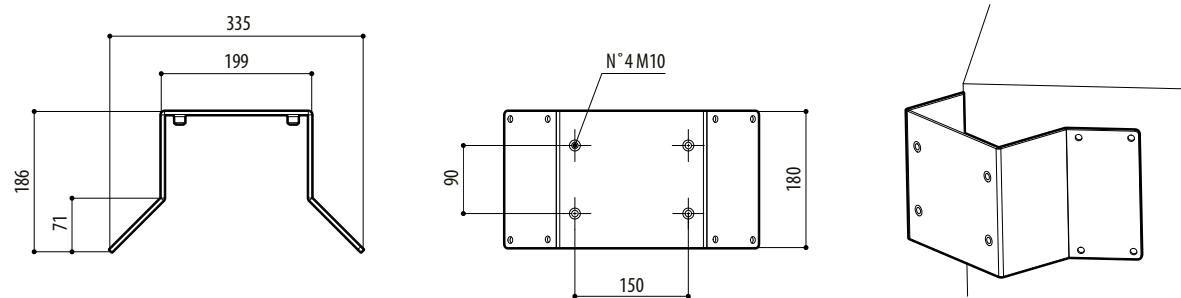
VIDEO SWITCHING
AND DISTRIBUTION

VIDEO
TRANSMISSION

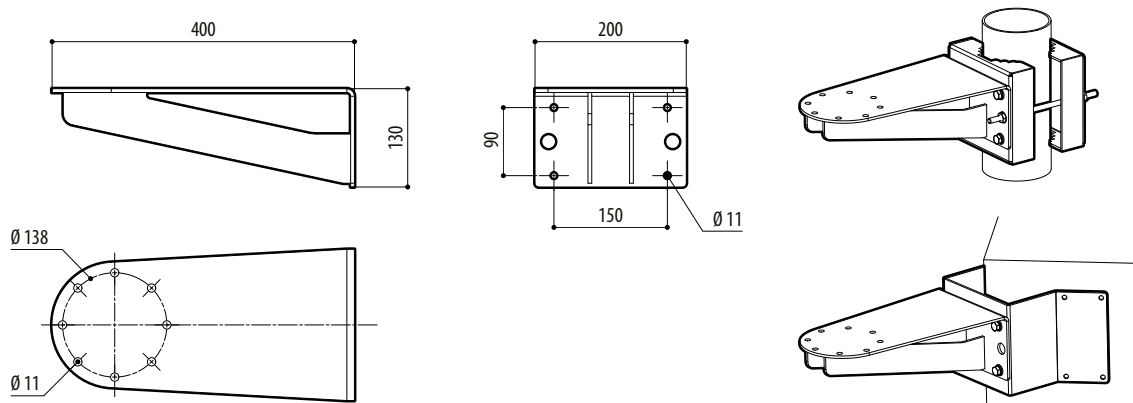
VIDEO TRANSMISSION
VIDEO SWITCHING AND DISTRIBUTION
CONTROL KEYBOARDS
DIGITAL VIDEO SYSTEMS
CAMERA BRACKETS
MPXWBA
P&T MOTORS AND TELEMETRY
IR ILLUMINATORS
VANDAL RESISTANT HOUSINGS
DOVE ENCLOSURES
CAMERA HOUSINGS
STAINLESS STEEL SYSTEMS
INTEGRATED POSITIONING UNITS



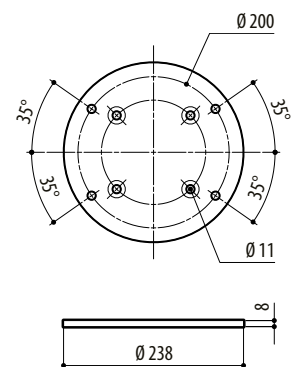
MPXCOL



MPXCW



MPXWBA



MPXWBTA

Sizes in millimeters.