

ACCESSORIES FOR POSITIONING UNITS

UPTHT - REINFORCED HEATER FOR LOW TEMPERATURE APPLICATIONS

UPTHT1 for ULISSE versions with motorized lens down to -30°C (-22°F) Lenses with operating temperatures down to -20°C (-4°F)

UPTHT2 for ULISSE versions with block camera. Operating temperature down to -30°C (-22°F)

UPTIRPS230 - ULISSE EXTERNAL POWER SUPPLY FOR IR360 VERSIONS

Power supply 230Vac, 50/60Hz

Control to synchronize illuminators with camera Day/Night switching

Night switch included

IP56

UPTIRPS120 - ULISSE EXTERNAL POWER SUPPLY FOR IR360 VERSIONS

Power supply 120Vac, 50/60Hz

Control to synchronize illuminators with camera Day/Night switching

Night switch included

Corner or pole mount through the adapter plate OIRPSCPA with PTCC1 or WCWGC

IP66

UPTJBUL - WEATHERPROOF JUNCTION BOX (ACCORDING UL NORM)

For the power supply connection

External mounting from the ULISSE unit

Corner or pole mount through the adapter plate OIRCPA with PTCC1 or WCWGC

WASPT - WASHER AND RESERVOIR 5/23L (1.3 OR 6GAL)

Glass washing kit available with 5l or 23l (1.3 or 6gal) reservoir

Versions with delivery up to 5m (16ft), 11m (36ft), 30m (98ft)

Pump available 230Vac, 24Vac or 120Vac

In the versions with 11m and 30m delivery, the lack of liquid in the tank is signalled with the stop of the pump itself

UPTHT1



UPTHT2



UPTIRPS230



UPTIRPS120



UPTJBUL



WASHERS AND TANKS



EXPLOSION-PROOF SYSTEMS

STAINLESS STEEL SYSTEMS

CAMERA HOUSINGS

DOME ENCLOSURES

VANDAL RESISTANT HOUSINGS

IR ILLUMINATORS

P&T MOTORS AND TELEMETRY

CAMERA BRACKETS

DIGITAL VIDEO SYSTEMS

CONTROL KEYBOARDS

VIDEO SWITCHING AND DISTRIBUTION

VIDEO TRANSMISSION

TECHNICAL DATA**UPTHT - REINFORCED HEATER FOR LOW TEMPERATURE APPLICATIONS**

Reinforced heater for generic lens/camera (UPTHT1): IN 24Vac, consumption 30W

Reinforced heater for block camera SONY (UPTHT2): IN 24Vac, 30W

UPTIRPS230 - ULISSE EXTERNAL POWER SUPPLY FOR IR360 VERSIONS

Plastic box, colour RAL7035

Dimensions: see drawing

Weight: 6kg (13.3lb)

IN 230Vac, 50/60Hz - OUT 24Vac, 8A

Power consumption: max 200W (feeding two illuminators at full power)

Built-in photocell for automatic ON/OFF operation

Output Day/Night (STATUS): clean contact NO

Input cables size: AWG 12-14

Dimensions of signal cables: AWG 20-26

Indoor / Outdoor

IP56

Operating Temperature: -25°C / +60°C (-13°F / +140°F)

UPTIRPS120 - ULISSE EXTERNAL POWER SUPPLY FOR IR360 VERSIONS

Box in aluminium, RAL7035

Dimensions: see drawing

Weight: 6kg (13.3lb)

IN 120Vac, 50/60Hz - OUT 24Vac, 8A

Power consumption: max 200W (feeding two illuminators at full power)

Built-in photocell for automatic ON/OFF operation

Output Day/Night (STATUS): clean contact NO

Input cables size: AWG 12-14

Dimensions of signal cables: AWG 20-26

Indoor / Outdoor

IP66

Operating Temperature: -25°C / +60°C (-13°F / +140°F)

**WASPT - WASHER AND RESERVOIR 5/23L (1.3 OR 6GAL)
Washer pump and tank of 5l (1.3gal), delivery head 5m (16ft)**

Polyethylene tank, stainless steel cage

Dimensions (WxHxL): 217x272x254mm (8.5x10.7x10.0in) (tank 5l)

Reservoir capacity: 5l (1.3gal)

Delivery head: max 5m (16ft)

Tube length: 5m (16ft)

Power supply: IN 230Vac/120Vac/24Vac

Consumption: 18W max

Maximum operating temperature: 60°C (+140°F)

Protection degree IP56

IN 230Vac/120Vac/24Vac

Polyethylene tank, stainless steel cage

Dimensions (WxHxL): 301x410x348mm (11.8x16.1x13.7in) (tank 5l)

Reservoir capacity: 23l (6gal)

Delivery head: max 5m (16ft)

Tube length: 5m (16ft)

Power supply: IN 230Vac/120Vac/24Vac

Consumption: 18W max

Maximum operating temperature: 60°C (+140°F)

Weatherproof standard: IP56

Washer pump and tank of 23l, delivery head 11m (36ft)

Polyethylene tank, stainless steel cage

Dimensions (WxHxL): 301x410x348mm (11.8x16.1x13.7in)

Reservoir capacity: 23l (6gal)

Delivery head: max 11m (36ft)

Tube length: 11m (36ft)

Power supply: IN 230Vac/120Vac/24Vac

Consumption: 60W max

Max operating temperature: 60°C (140°F)

Weatherproof standard: IP56

Washer pump and tank of 23l, delivery head 30m (98ft)

Polyethylene tank, stainless steel cage

Dimensions (WxHxL): 301x635x269mm (11.8x25x10.6in)

Reservoir capacity: 23l (6gal)

Delivery head: max 30m (98ft)

Tube length: 30m (98ft)

Power supply: IN 230Vac/120Vac

Consumption: 450W max

Max operating temperature: 60°C (140°F)

Weatherproof standard: IP45

UPTJBUL - WEATHERPROOF JUNCTION BOX (ACCORDING UL NORM)

Box in aluminium

Cables dimensions: up to 2.5mm² (AWG 22-12)

Box dimensions: 193x169x82mm (7.6x6.6x3.2in)

Compliance to: NEMA 4x

Indoor / Outdoor

Operating Temperature: -25°C / +60°C (-13°F / +140°F)

PART NUMBER

UPTHT1	Cold pack for low temperature, 30W
UPTHT2	Reinforced heater for block camera SONY 24Vac, 30W
UPTIRPS230	External power supply for ULISSE in IR360 Versions and control to synchronize IR illuminators with camera Day/Night switching, IN 230Vac, in weatherproof box. Night switch included.
UPTIRPS120	External power supply for ULISSE in IR360 Versions and control to synchronize IR illuminators with camera Day/Night switching, IN 120Vac, in weatherproof box. Night switch included.
WASPTOV5L5M00	Water tank 5l, pump with delivery up to 5m (16ft), IN 230Vac-24Vac-120Vac
WASPTOV23L5M00	Water tank 23l, pump with delivery up to 5m (16ft), IN 230Vac-24Vac-120Vac
WASPTOV23L11M00	Water tank 23l, pump with delivery up to 11m (36ft), IN 230Vac-24Vac-120Vac
WASPT1V23L30M00	Water tank 23l, pump with delivery up to 30m (98ft) with water floating, IN 230Vac
WASPT3V23L30M00	Water tank 23l, pump with delivery up to 30m (98ft) with water floating, IN 120Vac
UPTJBUL	Junction weatherproof box for cables connexion (according UL norm)

BRACKETS AND ADAPTORS

OIRPSCPA	Adapter plate for UPTIRPS120 with WCWGC oder PTCC1
OIRCPA	Adapter plate for UPTJBUL with PTCC1 oder WCWGC

EXPLOSION-PROOF SYSTEMS

STAINLESS STEEL SYSTEMS

CAMERA HOUSINGS

DOME ENCLOSURES

VANDAL RESISTANT HOUSINGS

IR ILLUMINATORS

P&T MOTORS AND TELEMETRY

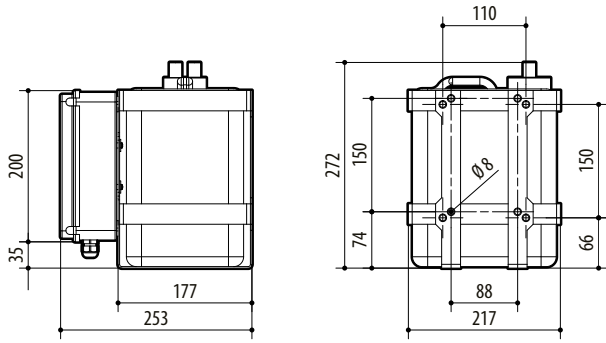
CAMERA BRACKETS

DIGITAL VIDEO SYSTEMS

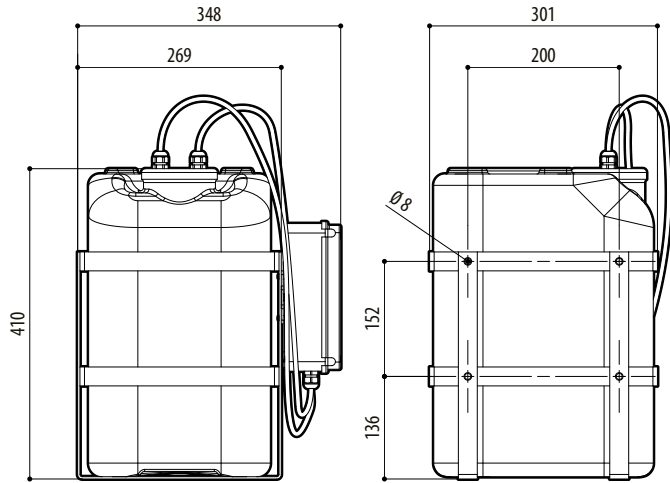
CONTROL KEYBOARDS

VIDEO SWITCHING AND DISTRIBUTION

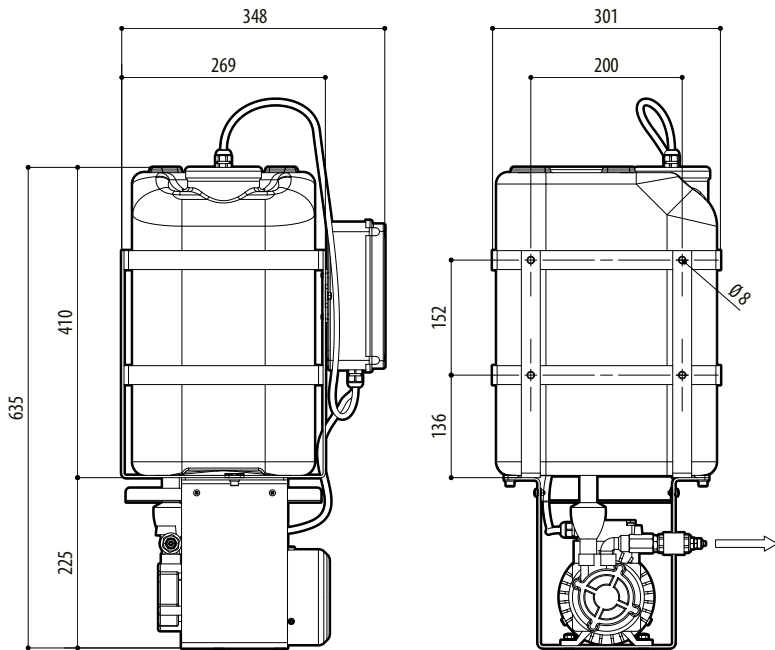
VIDEO TRANSMISSION



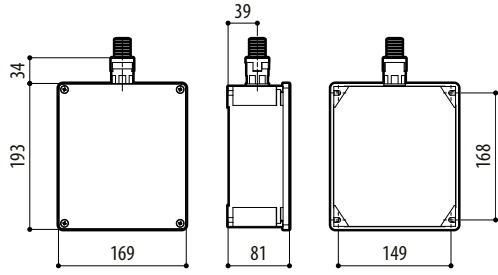
WASL5-WASPT5L



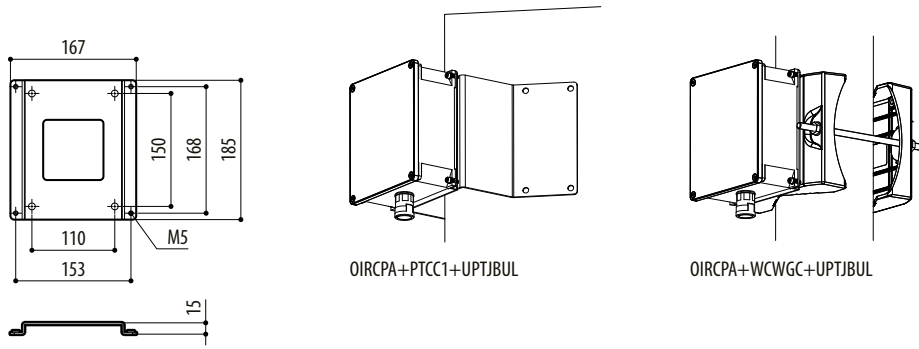
WAS23L-WASPT23L



WAS23L30-WASPT23L30



UPTJBUL



UPTJBUL-WCWGC/PTCC1-OIRCPA

EXPLOSION-PROOF SYSTEMS
STAINLESS STEEL SYSTEMS
CAMERA HOUSINGS
DOME ENCLOSURES
VANDAL RESISTANT HOUSINGS
IR ILLUMINATORS
P&T MOTORS AND TELEMETRY
CAMERA BRACKETS
DIGITAL VIDEO SYSTEMS
CONTROL KEYBOARDS
VIDEO SWITCHING AND DISTRIBUTION
VIDEO TRANSMISSION

VIDEO TRANSMISSION	VIDEO SWITCHING AND DISTRIBUTION	CONTROL KEYBOARDS	DIGITAL VIDEO SYSTEMS	CAMERA BRACKETS	P&T MOTORS AND TELEMETRY	IR ILLUMINATORS	VANDAL RESISTANT HOUSINGS	DOIME ENCLOSURES	CAMERA HOUSINGS	STAINLESS STEEL SYSTEMS	EXPLOSION-PROOF SYSTEMS
--------------------	----------------------------------	-------------------	-----------------------	-----------------	--------------------------	-----------------	---------------------------	------------------	-----------------	-------------------------	-------------------------