

# AVTPSKB

## VANDAL RESISTANT CEILING HOUSING

REVISION 1027



### MAIN FEATURES

- Indoor installations
- Sheet steel construction
- Max impact resistance IK10
- Vandal resistant polycarbonate glass
- Key lock

### DESCRIPTION

The AVTPSKB housings have been designed for surveillance applications in places highly exposed to vandalism, such as underground parking lots, subway stations, prisons, police stations, corridors, supermarkets, etc.

AVTPSKB is constructed from 2.5mm thick sheet steel and painted with epoxy polyester powder.

The housing is equipped with an internal bracket for the camera attachment and adjustment.

The compass opening allows easy installation and maintenance. The AVTPSKB is individual or common key locked according to the models.

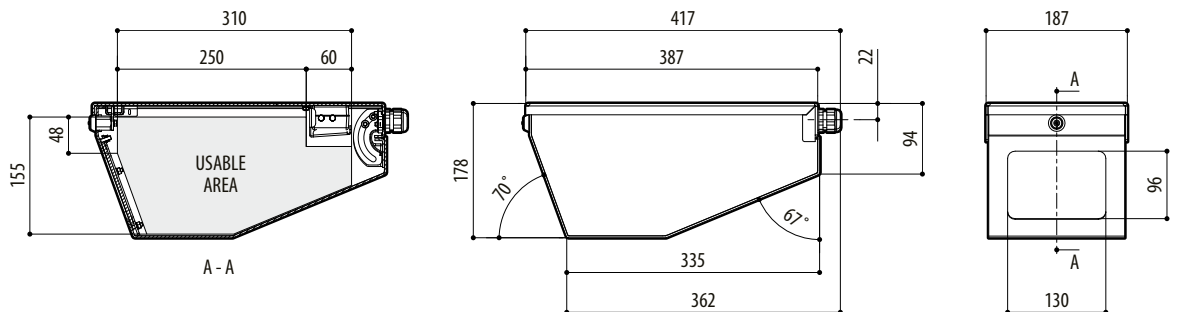
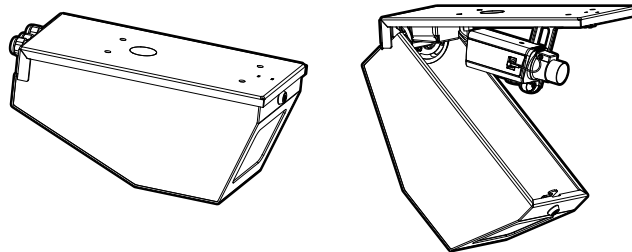
A vandal resistant polycarbonate glass is fixed on the front by means of an iron frame.

The cable outlet is made possible from the fixing base and from the 3 M20 cable glands on the back side.

AVTPSKB can be equipped with heater, camera power supply and alarm tamper switch.



AVTPSKB



AVTPSKB

mm 1:10

## AVTPSKB

## AVAILABLE MODELS

AVTPSKOA000B	Vandal resistant wedge housing with individual lock and key
AVTPSKOA101B	Vandal resistant wedge housing with common lock and key

## TECHNICAL DATA

## GENERAL

Built in sheet steel 2.5mm thick (0.1in)  
 Epoxy polyester powder painting, RAL9002 colour  
 Steel window frame  
 Vandal resistant polycarbonate glass 4mm (0.1in) thick  
 Compass opening

## MECHANICAL

External dimensions (WxHxL): 386x178x187mm (15.2x7x7.4in)  
 Individual key lock (AVTPSKOA000B)  
 Common key lock (AVTPSKOA101B)  
 Cable outlet through fixing side or 3 M20 cable glands  
 Window dimensions: 130x96mm (5.1x3.8in)

## ELECTRICAL

Heater Ton 15°C±3°C (59°F±5°F) Toff 22°C±3°C (71°F±5°F)

- IN 12Vdc/24Vac, consumption 20W max
- IN 115/230Vac, consumption 40W max

Camera power supply

- IN 110-240Vac - OUT 12Vdc, 50/60Hz, 1A
- IN 230Vac - OUT 24Vac, 50/60Hz, 400mA

## ENVIRONMENT

Indoor

Operating temperature with heater: -20°C / +60°C (-4°F / +140°F)

## CERTIFICATIONS

CE EN61000-6-3, EN60065, EN50130-4

Impact resistance IK10 EN62262

## ACCESSORIES

OHEH24B	Heater 115/230Vac
OHEH25B	Heater 12Vdc/24Vac
OHEPS22	Wide range power supply IN 100-240Vac - OUT 12Vdc, 1A
OHEPS23	Power supply IN 230Vac - OUT 24Vac, 400mA
OAVTPSTA	Tamper switch

## SPARE PARTS

OSER1B	Individual spare key/lock (AVTPSKOA000B)
OSER2B	Universal spare key/lock (AVTPSKOA101B)
OVET2TPSKB	Polycarbonate glass

## PACKAGE

Code	Unit weight		Package weight		Package dimensions (WxHxL)		Master carton unit
	kg	lb	kg	lb	cm	in	
AVTPSKB	6.3	13.9	6.7	14.8	22.0x20.0x44.0	8.7x7.9x17.3	5