

Color Video Camera

Operating Instructions

Before operating the unit, please read this manual thoroughly and retain it for future reference.

Инструкция по эксплуатации

Перед началом работы с устройством внимательно прочитайте данное руководство и сохраните его для обращения за справкой в будущем.

SSC-G813 SSC-G818



Sony Corporation © 2010 Printed in China <http://www.sony.net/>

English

WARNING

To reduce a risk of fire or electric shock, do not expose this product to rain or moisture.

To avoid electrical shock, do not open the cabinet. Refer servicing to qualified personnel only.

The apparatus shall not be exposed to dripping or splashing and no objects filled with liquid, such as vases, shall be placed on the apparatus.

WARNING (SSC-G818 only)

The mains plug must be used to disconnect mains power. Please ensure that the socket outlet is installed near the equipment and shall be easily accessible.

WARNING

This unit has no power switch. When installing the unit, incorporate a readily accessible disconnect device in the fixed wiring, or connect the power plug to an easily accessible socket-outlet near the unit. If a fault should occur during operation of the unit, operate the disconnect device to switch the power supply off, or disconnect the power plug.

For the customers in Europe

The manufacturer of this product is Sony Corporation, 1-7-1 Konan, Minatoku, Tokyo, Japan. The Authorized Representative for EMC and product safety is Sony Deutschland GmbH, Hedelfinger Strasse 61, 70327 Stuttgart, Germany.

For any service or guarantee matters please refer to the addresses given in separate service or guarantee documents.

For the customers in Europe, Australia and New Zealand

WARNING
This is a Class A product. In a domestic environment, this product may cause radio interference in which case the user may be required to take adequate measures. In the case that interference should occur, consult your nearest authorized Sony Service facility.

This apparatus shall not be used in the residential area.

WARNING

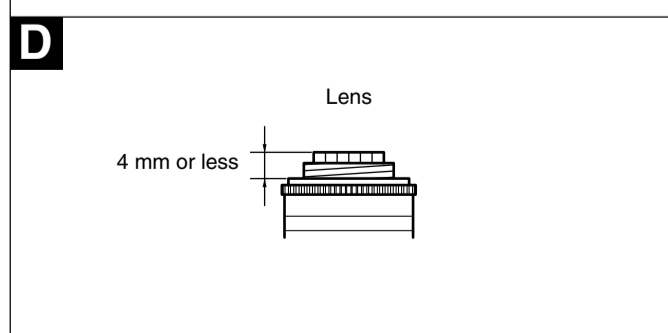
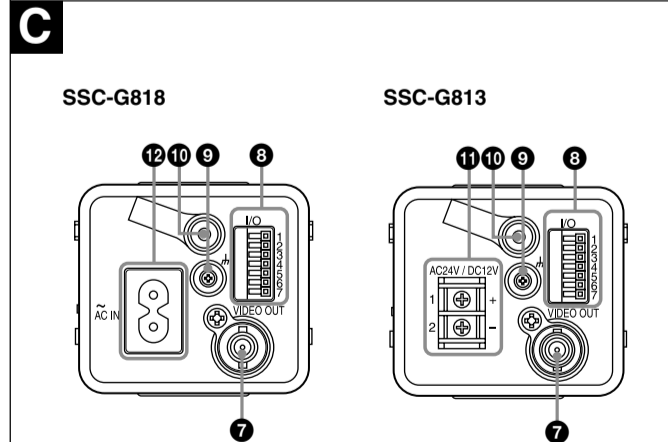
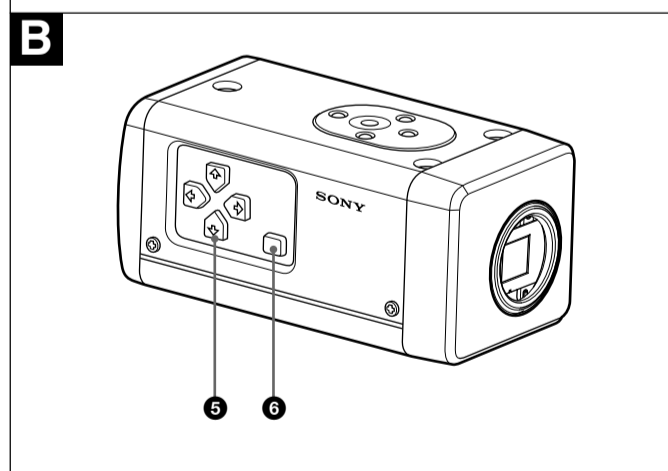
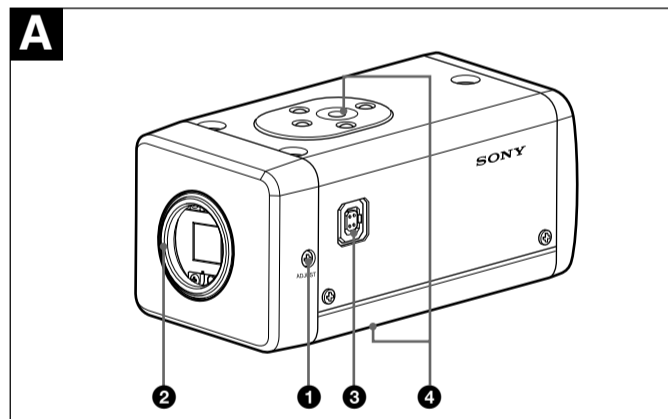
This installation should be made by a qualified service person and should conform to all local codes.

ATTENTION

The electromagnetic fields at the specific frequencies may influence the picture of this unit.

IMPORTANT

The nameplate is located on the top.



E

Lens Connector (not supplied)

Rib (If the cable is thick, cut this off.)		
Pin 4	Video signal control	Ground
	DC control	Drive - (Ground)
Pin 2	Video signal control	Not used
	DC control	Control +
Pin 1	Video signal control	Power supply (+DC 9 V, 50 mA)
	DC control	Control -
Pin 3	Video signal control	Video signal
	DC control	Drive +

F

Lens mount
Use to mount an appropriate CS-mount lens. To use a C-mount type lens, attach the supplied C-mount adaptor.

Lens connector (4-pin socket)
Supplies power and control signals to an auto-iris lens (not supplied).

Tripod screws
The screw holes for attaching the tripod are located on both the top and bottom of the camera. Use a 1/4" 20 UNC screw to attach a tripod to the camera. The tripod must be set up on a flat surface and tightened firmly by hand.

G

Fall-prevention wire rope (supplied)

Screw (not supplied)

Screw (supplied)

H

SSC-G818

SSC-G813

Features

The color video camera is equipped with a 1/2 inch Exwave HAD CCD* and also has the following features:

- High resolution
- High sensitivity
- Noise Reduction
- Alarm output using the Motion Detection Function or Face Detection function
- Day/Night function allowing color/monochrome mode switching
- CCD-IRIS** function
- Automatic white balance tracking and adjustment (ATW/ATW-PRO)
- DC controlled auto-iris lens capability.
- Video controlled auto-iris lens capability.
- Backlight compensation through center measurement
- Line lock function for synchronizing through AC power source
- Easy setup using on-screen menu by English and Chinese language

* Exwave HAD CCD is a trademark of Sony Corporation.
** CCD-IRIS** is a trademark of Sony Corporation.

Notes on Use

Power supply

- The SSC-G813 operates on either AC 24 V (50 Hz) or DC 12 V power. The SSC-G813 automatically detects the power.
- When connecting the transformer, be sure to connect each lead to the appropriate terminal. Wrong connection may cause malfunction and/or damage to the video camera.
- Ground the unit or an irregular voltage may be generated in the AC power cable and may cause malfunction and/or damage to the video camera.

• The SSC-G818 must always be operated with an AC 220 V - 240 V (50 Hz) power supply.

Handing of the unit

Be careful not to spill water or other liquids on the unit, or allow combustible or metallic objects to fall inside the body. If used with a foreign object inside, the camera is liable to fail, or be a cause of fire or electric shock.

Operation and storage locations

Avoid aiming the camera at very bright objects such as the sun or electric lights for an extended period. Avoid operating or storing the unit in the following locations.

- Extremely hot or cold places (operating temperature -10°C to + 50°C (14°F to 122°F)) We recommend that the unit be used within a temperature range of 0°C to 35°C (32°F to 95°F).
- Damp or dusty places.
- Where it is exposed to rain.
- Where it is subject to strong vibration and shock.
- Close to generators of powerful electromagnetic radiation such as radio or TV transmitters.
- Where it is subject to fluorescent light reflections.
- Where it is subject to unstable (flickering, etc.) lighting conditions.
- Where it is subject to moisture.
- Where it is subject to fume and sweat.

Care of the unit

- Remove dust or dirt on the surface of the lens or CCD with a blower.
- Use a dry, soft cloth to clean the body. If it is very dirty, use a cloth dampened with a small quantity of neutral detergent, then wipe dry.
- Avoid using volatile solvents such as thinners, alcohol, benzene, and insecticides. They may damage the surface finish and/or impair the operation of the camera.

Other

- When the BLC menu is set to an option other than OFF, "hunting" may occur, that is, the image may get darker and lighter as the camera "hunts" for the optimum exposure level. If hunting occurs, set the BLC menu to OFF.
- If you use the CCD-IRIS function in locations where the camera is exposed to fluorescent light, a slow color change may occur.
- The focus may be less sharp under near infrared light than under visible light.
- The best camera performance may not be obtained under near infrared light due to the lens coating.

In the event of any problems with the operation of the camera, contact your Sony dealer.

Note on laser beams

Laser beams may damage the CCDs. If you shoot a scene that includes a laser beam, be careful not to let a laser beam become directed into the lens of the camera.

Location and Function of Part

Top/Front/Right/Bottom Side

1 Focal length adjustment
Use this screw to adjust the focal length (the distance between the lens mounting plane and the image plane).

2 Lens mount
Use to mount an appropriate CS-mount lens. To use a C-mount type lens, attach the supplied C-mount adaptor.

3 Lens connector (4-pin socket)
Supplies power and control signals to an auto-iris lens (not supplied).

4 Tripod screws
The screw holes for attaching the tripod are located on both the top and bottom of the camera. Use a 1/4" 20 UNC screw to attach a tripod to the camera. The tripod must be set up on a flat surface and tightened firmly by hand.

Caution

Use the mounting screw whose length is 4.5 mm - 7 mm only. Use of other screws may cause improper mounting and damage parts inside the camera.

Left Side

1 1/4"/←/→ buttons
Use these buttons for menu operation. The ↑ and ↓ buttons move the cursor upward and downward. The ← and → buttons change the setting. For details of the use, see the supplied "Menu Operations" manual.

2 MENU/ENTER button
Use for menu operation. Press this button to display the menu or confirm the settings. For details of the use, see the supplied "Menu Operations" manual.

Rear

1 VIDEO OUT (composite video signal output) connector (BNC type)

2 I/O port

Pin No.	Signal	Description
1	REMOTE +	for future system expansion using an RS-485 connection
2	REMOTE -	for future system expansion using an RS-485 connection
3	ALARM OUT	Outputs 5 V potential When Motion Detection (MD) or Face Detection (FD) is enabled and triggered while outputs 0 V normally.
4	COM	common to pins No. 3, 5 and 7
5	EXTERNAL CTRL OUT	H (+5 V) is output between this terminal and COM when the color mode is selected; L (0 V) is output when the B&W mode is selected.
6	COM	common to pins No. 3, 5 and 7
7	EXTERNAL CTRL IN	When H (+5 V) is applied between this terminal and COM, the color mode is selected; when L (0 V) is applied, B&W mode is selected.

3 Ground terminal (screw type)
If there are noises in the connections, connect this terminal to the ground.

4 Fall-prevention wire rope mounting screw hole
When installing the camera to a ceiling or wall, secure the supplied fall-prevention wire rope to this hole using the supplied screw.

5 DC 12 V/AC 24 V (50 Hz) (power input) terminal (DC 12 V ±10% / AC 24 V ±10%) (SSC-G813)

6 Power inlet (AC 220 V - 240 V, 50 Hz) (SSC-G818)

Installation

WARNING

- If you attach the camera in the height such as the wall or the ceiling, etc., entrust the installation to an experienced contractor or installer.
- If you install the camera on the ceiling, ensure that the ceiling is strong enough to withstand the weight (20 Kg) of the camera plus the bracket and then install the camera securely. If the ceiling is not strong enough, the camera may fall and cause serious injury.
- To prevent the camera from falling, make sure to attach the supplied wire rope.
- If you attach the camera to the ceiling, check periodically, at least once a year, to ensure that the connection has not loosened. If conditions warrant, make this periodic check more frequently.

Suitable lens

The lens must be a CS-mount type of less than 1 kg. The protrusion behind the CS mounting surface must be 4 mm or less. To use a C-mount type lens, use the supplied C-mount adaptor.

Installation of an Auto Iris Lens Connector

Install the lens connector (not supplied) when using an Auto Iris Lens. This installation should be done only by qualified service personnel or system installers. A lens connector is not included with this camera package.

- 1 Cut the iris control cable at the edge of the lens connector to remove the existing lens connector and then remove the outer cable cover as shown in the diagram on the left.
- 2 Solder the lens cable to the pins of the lens connector.

Fitting the lens

- 1 Unscrew the lens mount cap.
- 2 Screw in the lens, and turn it until it is secured.

To use a C-mount type lens
Attach the supplied C-mount adaptor before screwing in the lens.

- 3 Insert the lens plug in the LENS connector. When fitting a manual-iris lens, skip 3.
- 4 According to the type of lens, adjust the focal length by turning the focal length adjustment ring.

Caution

- Keep the lens mount cap on the camera when it is not attached the lens.
- Check the lens mount
Check the lens mount at least once a year to ensure it has not become loose. If conditions warrant, make this periodic check more frequently.

Installing the camera

ATTENTION
If installing the camera on the ceiling, be sure it is secure. If not securely installed, the camera may fall and injury may occur. If the camera is installed on the ceiling using equipment such as a bracket, housing and motorized swivel base (pan/tilt), do the following:

- Use tripod screws and securely tighten them with a driver. Order the tripod screws (Sony Part No. 3-174-693-02) from your nearest Sony dealer.
- Install the tripod adaptor on a flat surface.

Attaching the fall-prevention wire rope

When you install the camera on a ceiling or a high position, be sure to attach the supplied fall-prevention wire rope to prevent the camera from falling. Attach the fall-prevention wire rope to the screw hole on the rear of the camera, as in the illustration.

Note
Take care not to short-circuit the power terminal or the cable with the wire rope when you attach it.

- 1 Secure the wire rope to the junction box on the ceiling. Use a screw to match the screw hole of your junction box (not supplied).
- 2 Secure the wire rope to the wire rope mounting screw hole on the rear of the camera using the supplied screw.

Caution

Use the supplied screw for installation. If not, the wire rope may not function properly.

Connecting the Camera

- 1 Connect the video cable to the VIDEO OUT connector.
- 2 Connect the video cable to the VIDEO IN connector of a video monitor, etc.
- 3 Connect to the appropriate power source using a power cable. SSC-G818: to AC 220 V - 240 V (50 Hz) power source. SSC-G813: to a DC 12 V, or an AC 24 V (50 Hz) power source.

Notes

- Be sure to input only the proper voltage to the power terminal of the camera.
- Be sure to push the power cable all the way in.
- 75-ohm coaxial cable.

Phase Adjustment

If the picture may roll vertically, adjust the vertical phase using V PHASE in the SYNC menu. For operating the menu, see the supplied "Menu Operations" manual.

Typical CCD phenomenon

The following phenomena that may appear in images are specific to CCD (Charge Coupled Device) image sensors. They do not indicate malfunctions.

White flecks

Although the CCD image sensors are produced with high-precision technologies, fine white flecks may be generated on the screen in rare cases, caused by cosmic rays, etc. This is related to the principle of CCD image sensors and is not a malfunction. The white flecks especially tend to be seen in the following cases:

- when operating at a high environmental temperature
- when you have raised the gain (sensitivity)
- when using the slow shutter

Vertical smear

When an extremely bright object, such as a strong spotlight or flashlight, is being shot, vertical tails may be produced on the screen, or the image may be distorted.

Aliasing

When fine patterns, stripes, or lines are shot, they may appear jagged or flicker.

Specifications

Image device: 1/2 inch interline transfer CCD
Effective picture elements: 752 (horizontal) × 582 (vertical)
Color: 0.28 lx at F1.2 (50 IRE, AGC ON, Turbo mode)
CS-mount: C-mount is available when the supplied C-mount adaptor is used.
Signal system: PAL color system
Synchronization system: internal/line lock
Horizontal resolution: 540 lines (sharp mode)
Color: 0.28 lx at F1.2 (50 IRE, AGC ON, Turbo mode)
Minimum illumination: B/W: 0.005 lx at F1.2 (50 IRE, AGC ON, Turbo mode)
Video output: 1 Vp-p, 75 ohms, negative sync
Video S/N: 57 dB (AGC OFF, WEIGHT ON)
Electronic shutter: 1/50, 1/120, 1/250, 1/500, 1/1000, 1/2000, 1/4000, 1/10000, 1/20000, 1/40000, 1/80000, 1/100000 (sec)
White balance: ATW-PRO/ATW/3200K/5600K/MANUAL (AGC)
Automatic gain control: OFF/NORMAL/TURBO/MANUAL
Power requirements: SSC-G813: AC 24 V (50 Hz) / DC 12 V
SSC-G818: AC 220 V - 240 V (50 Hz)
Power consumption: SSC-G813: 2.3 W
SSC-G818: 3.1 W
Operating temperature: -10°C to +50°C (14°F to 122°F)
Operating humidity: 20% to 80%
Storage temperature: -40°C to +60°C (-40°F to +140°F)
Storage humidity: 20% to 95%
Mass: SSC-G813: Approx. 400 g (0.88 lb)
SSC-G818: Approx. 420 g (0.93 lb)
Dimensions: 63 mm × 57 mm × 124 mm (Projecting part not included) (w/h/d)
Supplied accessories: Lens mount cap (1)
Power cable (1) (SSC-G818 only)
Menu operations (1)
Operating Instructions (1)
Fall-prevention wire rope (1)
Screw 3 M4 × 8 (1)
C-mount adaptor (1)

Design and specifications are subject to change without notice.

Note
Always verify that the unit is operating properly before use. SONY WILL NOT BE LIABLE FOR DAMAGES OF ANY KIND INCLUDING, BUT NOT LIMITED TO, COMPENSATION OR REIMBURSEMENT ON ACCOUNT OF THE LOSS OF PRESENT OR PROSPECTIVE PROFITS DUE TO FAILURE OF THIS UNIT, EITHER DURING THE WARRANTY PERIOD OR AFTER EXPIRATION OF THE WARRANTY, OR FOR ANY OTHER REASON WHATSOEVER.

Regular parts replacement
Some of the parts that make up this product (electrolytic condenser, for example) need replacing regularly depending on their life expectancies. The lives of parts differ according to the environment or condition in which this product is used and the length of time it is used, so we recommend regular checks. Consult the dealer from whom you bought it for details.

For Customer in China

根据中华人民共和国信息产业部第 39 号令《电子信息产品污染控制管理办法》及标准中要求的“有毒有害物质或元素名称及含量”等信息，本产品相关信息请参考以下链接：
<http://pro.sony.com.cn>

ПРЕДУПРЕЖДЕНИЕ

Для снижения риска возгорания и поражения электрическим током не допускайте воздействия на устройство влаги и сырости.

Чтобы исключить риск поражения электрическим током, не вскрывайте корпус. Обслуживание устройства должны выполнять только квалифицированные специалисты.

Не допускайте попадания на устройство влаги или брызг, а также не помещайте на него предметы, наполненные жидкостью, например вазы.

ПРЕДУПРЕЖДЕНИЕ (только модели SSC-G818)

Для отключения от электрической сети необходимо использовать кабель питания. Убедитесь, что электрическая розетка находится рядом с устройством в легкодоступном месте.

ПРЕДУПРЕЖДЕНИЕ

Данное устройство не имеет переключателя питания. При установке устройства используйте легкодоступный прерыватель питания с фиксированной проводкой или подключите провод питания к легкодоступной настенной розетке, расположенной рядом с устройством. Если в процессе эксплуатации блока возникнет неисправность, с помощью прерывателя отключите питание, или отсоедините провод питания.

Для покупателей в Европе

Производителем данного устройства является Sony Corporation, 1-7-1 Konan, Minato-ku, Tokyo, Japan. Авторизованным представителем по вопросам электромагнитной совместимости и безопасности данного изделия является компания Sony Deutschland GmbH, расположенная по адресу: Hedelfinger Strasse 61, 70327 Stuttgart, Germany.

По всем вопросам, связанным с гарантийными обязательствами в отношении настоящего изделия или с его обслуживанием, обращайтесь по адресу, указанному в отдельной сервисной или гарантийной документации.

Для покупателей в Европе, Австралии и Новой Зеландии

ПРЕДУПРЕЖДЕНИЕ

Это изделие относится к Классу А. При эксплуатации в домашних условиях оно может создавать помехи радиовещания, и в этом случае пользователю, возможно, потребуется принять соответствующие меры.

При появлении помех обратитесь в ближайший сервисный центр компании Sony.

Данное устройство не предназначено для использования в домашних условиях.

ПРЕДУПРЕЖДЕНИЕ

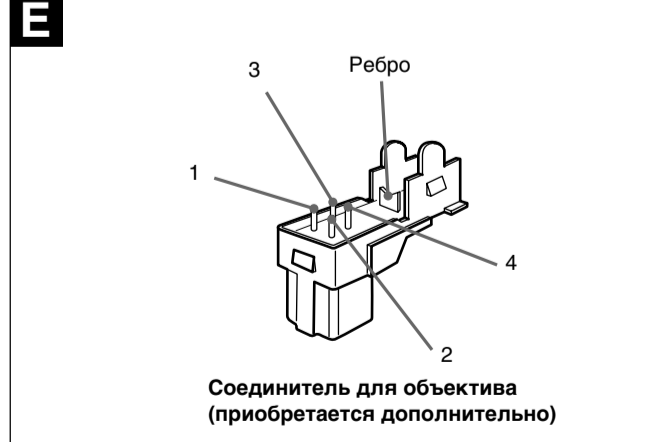
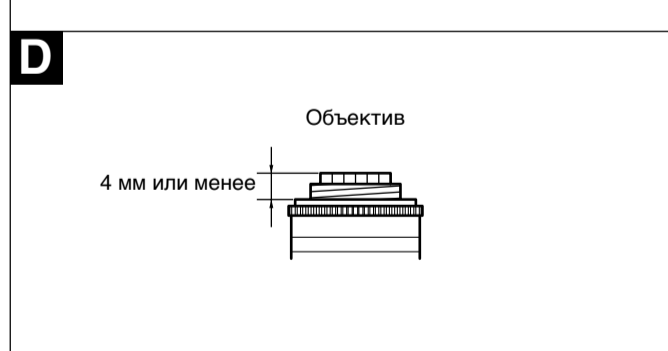
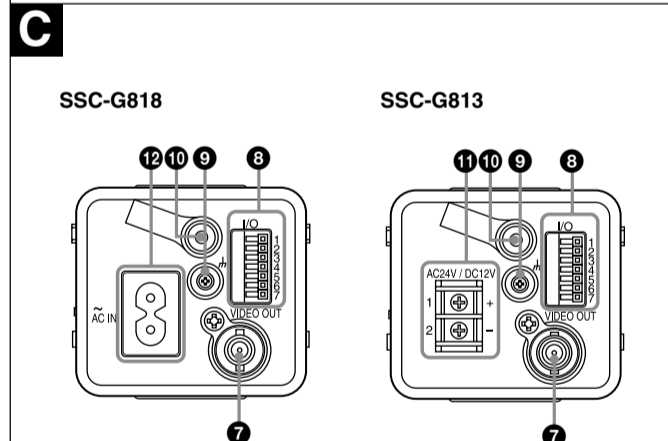
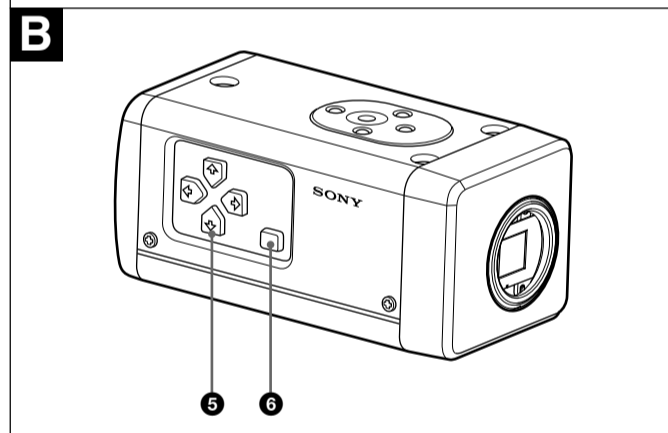
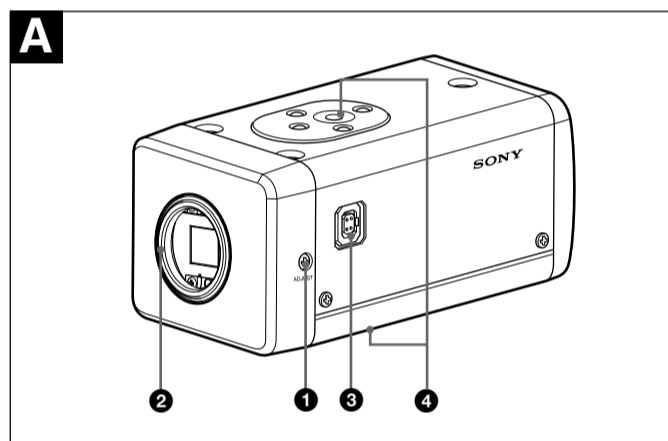
Установку должен проводить квалифицированный специалист в соответствии со всеми местными указаниями и правилами.

ВНИМАНИЕ

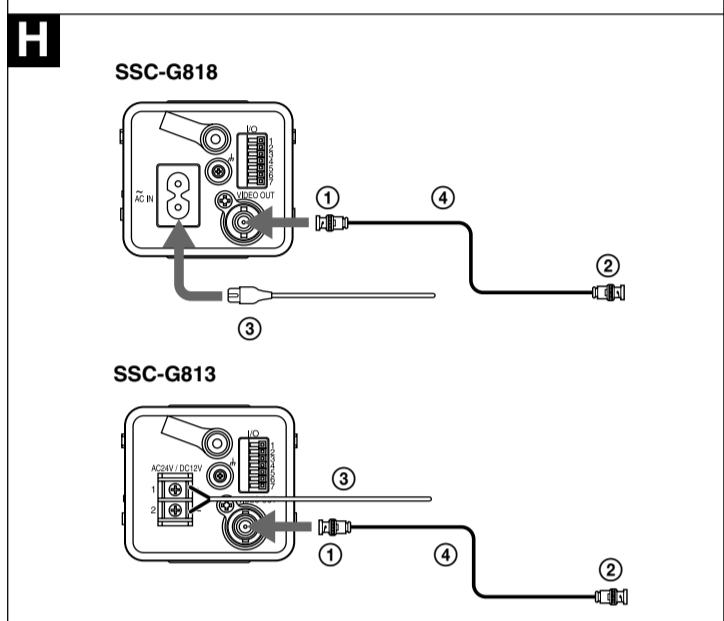
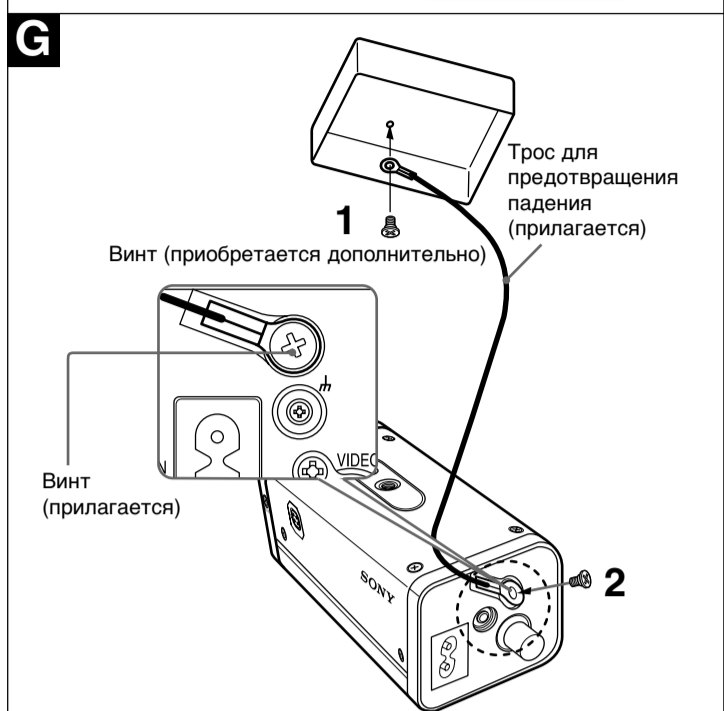
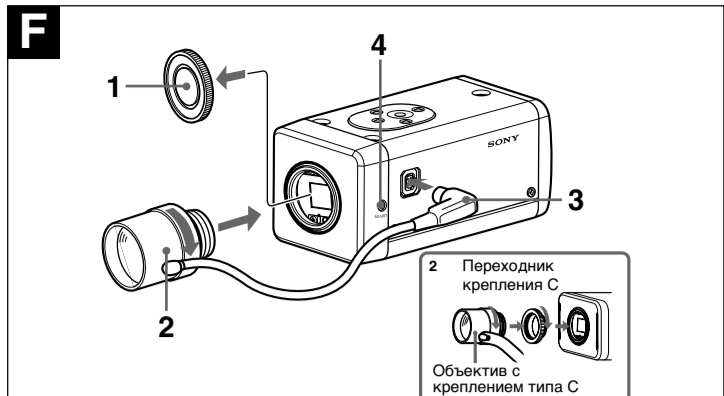
Электромагнитные поля определенных частот могут влиять на изображение данного устройства.

ВАЖНО

Информационная табличка расположена сверху.



Резбо (если кабель толстый, обрежьте его.)		
Контакт 4	Управление видеосигналом	Земля
	Регулировка пост. тока	Привод - (земля)
Контакт 2	Управление видеосигналом	Не используется
	Регулировка пост. тока	Контроль +
Контакт 1	Управление видеосигналом	Источник питания (+9 В постоянного тока, 50 мА)
	Регулировка пост. тока	Контроль -
Контакт 3	Управление видеосигналом	Видеосигнал
	Регулировка пост. тока	Привод +



Возможности изделия

Цветная видеокамера оснащена 1/2-дюймовой матрицей Exwave HAD CCD* Цветная видеокамера и обладает следующими функциями:

- Высокое разрешение
- Высокая чувствительность
- Подавление шумов
- Вывод сигнала с помощью функций определения движения или распознавания лиц
- Функция дневной/ночной съемки, позволяющая выбирать цветной/монохромный режимы
- Функция CCD-IRIS (ПЗС-диафрагма)**
- Автоматическая регулировка и подстройка баланса белого (ATW/ATW-PRO)
- Функция автоматической регулировки диафрагмы сигналом постоянного тока
- Функция автоматической регулировки диафрагмы видеосигналом
- Компенсация контрового освещения путем замера по центру
- Функция захвата частоты линии для синхронизации по источнику питания переменного тока
- Быстрая настройка с помощью экранного меню на английском и китайском языках

* Exwave HAD CCD является товарным знаком Sony Corporation.
** CCD-IRIS™ является товарным знаком корпорации Sony Corporation.

Примечания по эксплуатации

Питание

- Модель SSC-G813 работает от напряжения 24 В переменного тока (50 Гц) или 12 В постоянного тока. Видеокамера SSC-G813 автоматически определяет напряжение.
- При подсоединении к трансформатору убедитесь, что все провода подсоединяются к соответствующим контактам. Неправильное подсоединение может привести к неисправности и/или повреждению видеокамеры.
- Необходимо выполнить заземление устройства, иначе в кабеле питания переменного тока может возникнуть anomalous напряжение, которое может привести к неисправности и/или повреждению видеокамеры.
- Для питания видеокамеры SSC-G818 необходимо использовать только источник переменного тока напряжением 220 В - 240 В (50 Гц).

Обращение с устройством

Соблюдайте осторожность и не допускайте попадания воды и других жидкостей, а также легковоспламеняемых и металлических предметов внутрь устройства. Использование видеокамеры с посторонним предметом внутри может привести к поломке, а также вызвать возгорание или поражение электрическим током.

Места использования и хранения

Не оставляйте видеокамеру наведенной на очень яркие объекты, например на солнце или электрические лампы, в течение длительного периода. Не используйте и не храните устройство в следующих местах.

- Места с повышенной или пониженной температурой (рабочая температура составляет от -10°C до +50°C) Рекомендуется использовать устройство в диапазоне температур от 0°C до 35°C.
- Влажные или запыленные места
- Места, в которых устройство будет подвержено воздействию дождя.
- Места, в которых устройство будет подвержено сильным вибрациям и механическим воздействиям.
- Вблизи от источников сильного электромагнитного излучения, например радио- и телепередатчиков.
- В местах, в которых устройство будет подвержено отражению от флуоресцентных ламп.
- Места с нестабильным освещением (мерцание и т.п.).
- В местах, в которых устройство будет подвержено воздействию влаги.
- В местах, в которых устройство будет подвержено воздействию дыма и пара.

Уход за устройством

- Удаляйте пыль и грязь с поверхности объектива или ПЗС струей воздуха.
- Для очистки корпуса используйте сухую мягкую ткань. В случае сильного загрязнения используйте ткань, смоченную в небольшом количестве нейтрального чистящего средства, затем вытрите насухо.
- Не используйте летучие растворители, например разбавители, спирты, бензин и инсектициды. Они могут повредить покрытие корпуса и/или нарушить работу видеокамеры.

Прочее

- Если для меню компенсации переотраженного света установлено любое значение, кроме OFF (Выкл.), может начаться "блуждание", т.е. изображение будет то темнеть, то светлеть во время поиска видеокамерой оптимального уровня экспозиции. Если наблюдается блуждание, установите для меню компенсации переотраженного света значение OFF (Выкл.).
- При использовании функции CCD-IRIS (ПЗС-диафрагма) в местах, в которых видеокамера подвержена воздействию флуоресцентных ламп, изменение цвета может происходить медленно.
- При инфракрасном свете фокусировка может быть менее четкая, чем при использовании видимого света.
- При инфракрасном свете вследствие особенностей покрытия объектива рабочие характеристики видеокамеры могут снизиться.

При возникновении каких-либо неисправностей в работе видеокамеры обратитесь к своему дилеру компании Sony.

Примечание относительно лазерных лучей

Лазерные лучи могут стать причиной повреждения ПЗС. При съемке сцены с лазерными лучами соблюдайте осторожность, чтобы лазерный луч не попал непосредственно в объектив видеокамеры.

Расположение и функции деталей

Верхняя/передняя/правая/нижняя сторона

1 Регулировка фокусного расстояния
С помощью этого винта отрегулируйте фокусное расстояние (расстояние между плоскостью объективодержателя и плоскостью изображения).

2 Крепление для объектива

Используется для установки объектива с резьбой типа CS. Чтобы использовать объектив с креплением типа C, установите прилагаемый переходник крепления C.

3 Соединитель для объектива (4-контактный разъем)

Используется для подачи питания и сигналов управления на объектив с автодиафрагмой (приобретается дополнительно).

4 Винты штатива

Отверстия под винты для подсоединения штатива расположены в верхней и нижней части видеокамеры.

Для подсоединения штатива к видеокамере используйте винт 20 UNC 1/4 дюйма. Штатив необходимо установить на ровную поверхность и крепко затянуть от руки.



Предупреждение

Используйте только крепежные винты длиной 4,5 мм - 7 мм. При использовании других винтов крепеж может быть выполнен неправильно, а также могут быть повреждены внутренние детали видеокамеры.

Левая сторона

1 Кнопки ↑/↓/←/→

Используются для перемещения курсора вверх и вниз. Кнопки ← и → используются для изменения настройки.

Для получения дополнительной информации об использовании см. прилагаемое руководство "Работа с меню".

2 Кнопка MENU/ENTER

Используется для работы с меню. Нажмите эту кнопку, чтобы отобразить меню или подтвердить настройки.

Для получения дополнительной информации об использовании см. прилагаемое руководство "Работа с меню".

Вид сзади

1 Разъем VIDEO OUT (вывод композитного видеосигнала) (тип BNC)

2 Разъем ввода/вывода

Номер контакта	Сигнал	Описание
1	REMOTE +	Для последующего расширения системы с помощью соединения RS-485
2	REMOTE -	Для последующего расширения системы с помощью соединения RS-485
3	ALARM OUT	Вывод потенциала 5 В при включенной функции определения движения (MD) или распознавания лиц (FD), а в обычном режиме вывод потенциала 0 В.
4	COM	Общий для контактов 3, 5 и 7
5	EXTERNAL CTRL OUT	Между этой клеммой и портом COM выводится сигнал H (+5 В), если выбран цветной режим; сигнал L (0 В) выводится, если выбран черно-белый режим.
6	COM	Общий для контактов 3, 5 и 7
7	EXTERNAL CTRL IN	Если между этой клеммой и портом COM выводится сигнал H (+5 В), то выбран цветной режим; если выводится сигнал L (0 В), то выбран черно-белый режим.

3 Заземляющий контакт ⚡ (винтового типа)

Если при подсоединении возникают помехи, соедините этот контакт с землей.

4 Установочное отверстие троса для предотвращения падения

При установке видеокамеры на потолок или стену закрепите прилагаемый трос для предотвращения падения в установочном отверстии с помощью прилагаемого винта.

5 Контакт 12 В постоянного тока/24 В переменного тока (50 Гц) (потребляемая мощность) (12 В постоянного тока ±10% / 24 В переменного тока ±10%) (SSC-G813)

6 Ввод питания (220 В - 240 В переменного тока, 50 Гц) (SSC-G818)

Установка

ПРЕДУПРЕЖДЕНИЕ

- Установка видеокамеры на высоте, например на стене, на потолке и т.п., должен выполнять опытный подрядчик или монтажник.
- При установке видеокамеры на потолке убедитесь, что потолок достаточно прочен, чтобы выдержать вес видеокамеры (20 кг) и кронштейна, после чего надежно установите камеру. Если потолок недостаточно прочен, видеокамера может упасть и причинить тяжелые травмы.
- Для предотвращения падения видеокамеры закрепите ее прилагаемым тросом.
- При установке видеокамеры на потолке необходимо периодически, не реже одного раза в год, проверять надежность крепления. В зависимости от условий проводите периодические проверки чаще.

Подходящий объектив

Объектив должен весить менее 1 кг и иметь тип крепления CS. Выступ сзади поверхности крепления CS должен быть 4 мм или менее. Чтобы использовать объектив с креплением типа C, прикрепите прилагаемый переходник крепления C.

Установка соединителя для объектива с автодиафрагмой

При использовании объектива с автодиафрагмой установите соединитель для объектива (приобретается дополнительно). Установку должны выполнять только квалифицированные специалисты или установщики системы. Соединитель для объектива не входит в комплект поставки видеокамеры.

- 1 Обрежьте кабель управления диафрагмой у края соединителя объектива для удаления имеющегося соединителя, а затем снимите внешнюю крышку кабеля, как показано на рисунке слева.
- 2 Прикрепите кабель объектива к штырям соединителя для объектива.

Установка объектива

- 1 Откройте крышку крепления объектива.
- 2 Вкрутите объектив до фиксации. Чтобы использовать объектив с креплением типа C Перед прикручиванием объектива установите прилагаемый адаптер крепления C.
- 3 Вставьте штепсель объектива в соединитель для объектива. При установке объектива с ручной регулировкой диафрагмы пропустите шаг 3.
- 4 В соответствии с типом объектива отрегулируйте фокусное расстояние, повернув кольцо для регулировки фокусного расстояния.

Предупреждение

- Если объектив не установлен на видеокамеру, надавите на видеокамеру крышку крепления объектива.
- Проверьте крепление для объектива Проверьте крепление для объектива не реже раза в год. В зависимости от условий проводите периодические проверки чаще.

Установка видеокамеры

ВНИМАНИЕ

- При установке видеокамеры на потолке убедитесь, что она надежно закреплена. Если видеокамера закреплена ненадежно, она может упасть, что приведет к получению травм. Если видеокамера установлена на потолке с помощью оборудования, например кронштейна, корпуса и моторной поворотной основы (панорамирование/наклон), выполните следующие действия.
- Надежно закрутите винты штатива отверткой. Винты штатива можно заказать (номер в списке запчастей Sony: 3-174-693-02) у ближайшего дилера компании Sony.
- Установите головку штатива на ровной поверхности.

Подсоединение троса для предотвращения падения

При установке видеокамеры на потолке или на высоте во избежание падения видеокамеры обязательно подсоедините прилагаемый трос для предотвращения падения. Закрепите трос для предотвращения падения в резьбовом отверстии с задней стороны видеокамеры, как показано на рисунке.

Примечание

- Соблюдайте осторожность, чтобы при креплении троса не замкнуть его на клемму питания или на кабель.
- 1 Прикрепите трос к распределительной коробке на потолке. Вставьте винт в резьбовое отверстие распределительной коробки (приобретается дополнительно).
- 2 Прикрепите трос к резьбовому отверстию с задней стороны видеокамеры с помощью прилагаемого винта.

Предупреждение

Используйте для установки прилагаемый винт. В противном случае трос может функционировать ненадежным образом.

Подсоединение видеокамеры

- 1 Подсоедините видеокабель к разьему VIDEO OUT.
- 2 Подсоедините видеокабель к разьему VIDEO IN монитора и т.д.
- 3 Подсоедините монитор к надлежащему источнику питания с помощью кабеля питания.

SSC-G818: к источнику питания переменного тока 220 В - 240 В (50 Гц)
SSC-G813: к источнику питания постоянного тока 12 В или источнику питания переменного тока 24 В (50 Гц)

Примечания

- Убедитесь, что на клемму питания видеокамеры подается только надлежащее напряжение.
- Кабель питания вставляйте до упора.
- Коаксиальный кабель 75 Ом.

Регулировка фазы

Если на изображении появляются вертикальные полосы, отрегулируйте вертикальную фазу с помощью параметра V PHASE в меню SYNC.

Для работы с меню см. прилагаемое руководство "Работа с меню".

Явления, характерные для датчиков изображения ПЗС

Следующие явления, которые могут появиться на изображениях, характерны для датчиков изображения приборов с зарядовой связью (ПЗС). Их появление не является неисправностью.

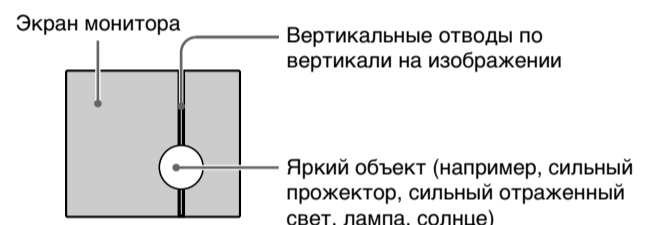
Белые пятна

Датчики изображения ПЗС изготовлены по высокоточной технологии, однако в редких случаях на экране могут появляться отчетливые белые пятна, которые являются следствием влияния космического излучения и т.д. Это является следствием принципа устройства датчиков изображения ПЗС и не является неисправностью. Белые пятна могут с большей вероятностью появляться в следующих случаях:

- при работе под воздействием высоких температур;
- при высоком уровне усиления (чувствительность);
- при использовании медленного затвора.

Смазывание по вертикали

При съемке очень яркого объекта, например сильного прожектора или лампы, на экране могут появиться отводы по вертикали или изображение может быть искаженным.



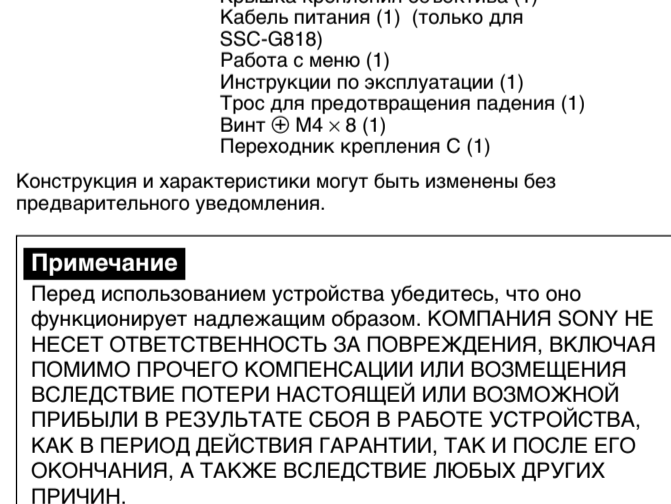
Наложение

При съемке четких изображений, полос или линий они могут выглядеть неровными или могут появиться блики.

Технические характеристики

Формирователь изображения	ПЗС 1/2 дюйма с построчным переносом
Эффективные элементы изображения	752 (по горизонтали) × 582 (по вертикали)
Тип крепления объектива	Резьба типа CS
	Крепление типа C можно применять только при использовании прилагаемого переходника крепления C.
Система сигнала	Система ТВ PAL
Система синхронизации	внутренняя синхронизация/захват частоты линии
Разрешение по горизонтали	540 строк (режим Turbo)
Минимальная освещенность	Цветной: 0,28 лк при F1.2 (50 IRE, AGC ON, режим Turbo) Ч/Б: 0,005 лк при F1.2 (50 IRE, AGC ON, режим Turbo)
Видеовывод	1 Вp-p, 75 Ом, отрицательная синхронизация
Видео (сигнал/шум)	57 дБ (AGC ВЫКЛ., WEIGHT ВКЛ.)
Электронный затвор	1/50, 1/120, 1/250, 1/500, 1/1000, 1/2000, 1/4000, 1/10000, 1/20000, 1/40000, 1/80000, 1/100000 (сек.)
Баланс белого	ATW-PRO/ATW/3200K/5600K/MANUAL
Автоматическая регулировка усиления (AGC)	OFF/NORMAL/TURBO/MANUAL
Электропитание:	SSC-G813: 24 В переменного тока (50 Гц)/12 В постоянного тока SSC-G818: 220 В - 240 В переменного тока (50 Гц)
Потребляемая мощность	SSC-G813: 2,3 W SSC-G818: 3,1 W
Рабочая температура	-10°C - +50°C
Рабочая влажность	20% - 80%
Температура хранения	-40°C - +80°C
Влажность при хранении	20% - 95%
Вес	SSC-G813: прибл. 400 г SSC-G818: прибл. 420 г
Размеры	63 мм × 57 мм × 124 мм (не включая выступающие детали) (Ш/В/Г)
Принадлежности, входящие в комплект поставки	Крышка крепления объектива (1) Кабель питания (1) (только для SSC-G818) Работа с меню (1) Инструкции по эксплуатации (1) Трос для предотвращения падения (1) Винт Ⓞ M4 × 8 (1) Переходник крепления C (1)

Конструкция и характеристики могут быть изменены без предварительного уведомления.



Примечание

Перед использованием устройства убедитесь, что оно функционирует надлежащим образом. КОМПАНИЯ SONY НЕ НЕСЕТ ОТВЕТСТВЕННОСТЬ ЗА ПОВРЕЖДЕНИЯ, ВКЛЮЧАЯ ПОМИМО ПРОЧЕГО КОМПЕНСАЦИИ ИЛИ ВОЗМЕЩЕНИЯ В СЛЕДСТВИЕ ПОТЕРИ НАСТОЯЩЕЙ ИЛИ ВОЗМОЖНОЙ ПРИБЫЛИ В РЕЗУЛЬТАТЕ СБОЯ В РАБОТЕ УСТРОЙСТВА, КАК В ПЕРИОД ДЕЙСТВИЯ ГАРАНТИИ, ТАК И ПОСЛЕ ЕГО ОКОНЧАНИЯ, А ТАКЖЕ В СЛЕДСТВИЕ ЛЮБЫХ ДРУГИХ ПРИЧИН.

Замена запасных частей

В зависимости от ожидаемого срока службы некоторых деталей этого устройства (например, электролитический конденсатор) необходимо регулярно выполнять их замену. Срок службы деталей зависит от среды, условий или продолжительности использования устройства, поэтому рекомендуется регулярно выполнять проверку. Обратитесь к дилеру, у которого была произведена покупка устройства.