

SSC-CB565R/CB564R/CB575R/CB574R

Analog Color Fixed Cameras

SONY
make.believe

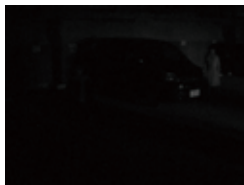
700 TV Line Security Cameras with IR Illuminators and IP66 Housing

- Horizontal resolution of 700 TV lines (sharp mode)
- High sensitivity
- Built-in IR illuminators
- Optical Day/Night function
- IP66-rated waterproof and dust-tight feature



KEY FEATURES

- Built-in IR (infrared) illuminators to assist capturing objects in the dark even under 0 lx, up to 30 m (98 feet) away



OFF



ON

- High resolution (700 horizontal TV lines in sharp mode) and high sensitivity (Color: 0.06 lx, B/W: 0 lx, F1.2, 50 IRE) achieved by an 1/3-type "EXview HAD CCD II" sensor and Sony's new digital signal processor, "Effio-E"
- IP66-rated waterproof and dust-tight feature for outdoor surveillance, or indoor where water ingress may pose an issue
- Optical Day/Night function to switch to Day or Night mode depending on the light level
- Dip SW Control for easy mode setting

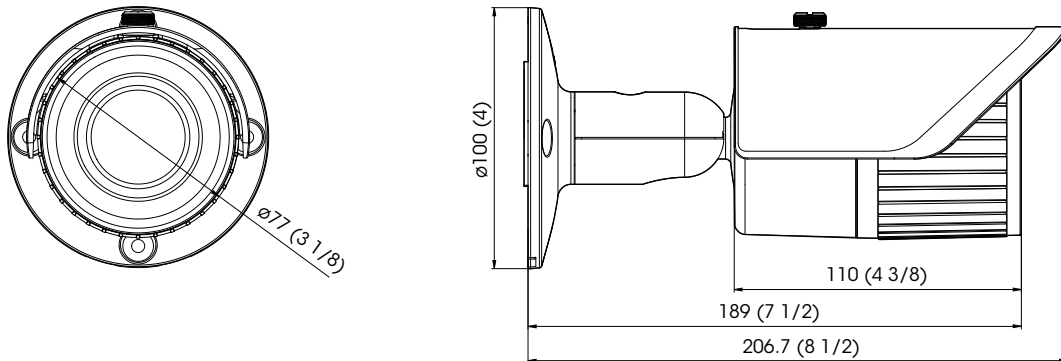
EXview HAD CCD II™

- ATR-Lite (Adaptive Tone Reproduction Lite) to compensate for gradation of subjects to an optimum level
- iBLC to compensate for exposure levels in dark scenes to improve subject visibility
- ATW (Automatic Tracing White) balance which automatically adjusts the camera's white balance to adapt to sudden changes in lighting conditions
- Internal lock, and line lock selectable
- 2D noise reduction employed
- AC 24 V/DC 12 V operation ($\pm 10\%$)

SPECIFICATIONS

	SSC-CB565R	SSC-CB564R	SSC-CB575R	SSC-CB574R
Camera				
Image device	1/3-type EXview HAD CCD II			
Number of effective pixels (H x V)	570,000 pixels (976 x 582)	480,000 pixels (976 x 494)	570,000 pixels (976 x 582)	480,000 pixels (976 x 494)
Signal system	PAL standard	NTSC standard	PAL standard	NTSC standard
Horizontal resolution	700 TV lines (sharp mode)			
S/N ratio	More than 55 dB (AGC Off)			
Minimum illumination	Color: 0.06 lx, B/W: 0 lx (F1.2, 50 IRE) Color: 0.04 lx, B/W: 0 lx (F1.2, 30 IRE)			
Video output	VBS: 1.0 Vp-p			
Synchronization	Internal/AC line lock selectable			
Gain control	Auto (On/Off)			
White balance	ATW (2000K to 10000K), ATW-PRO (2500K to 6000K)			
Lens type	Built-in variable focal lens			
Zoom ratio	Optical 3.7x		Optical 2.4x	
Horizontal viewing angle	101.8 degrees to 27.4 degrees		32.1 degrees to 13.1 degrees	
Focal length	f=2.8 mm to 10.5 mm		f=9 mm to 22 mm	
F number	F1.2 (Wide), F2.7 (Tele)		F1.4 (Wide), F1.6 (Tele)	
Minimum object distance	300 mm (11 7/8 inches)		1000 mm (39 3/8 inches)	
Camera Features				
Day/Night	Yes (removable IRC filter)			
Noise reduction	Yes (2D NR)			
IR working distance	30 m (98 feet) (50 IRE)			
Back light compensation	Yes (iBLC, On/Off)			
Automatic tone reproduction	Yes (ATR-Lite, On/Off)			
General				
Mass	650 g (1 lb 6.9 oz)			
Dimensions	ø77 mm x 110 mm (ø3 1/8 inches x 4 3/8 inches)			
Power requirement	AC 24 V ±10%, DC 12 V ±10%			
Power consumption	Max. 5.5 W			
Operating temperature	-10 °C to +50 °C (14 °F to 122 °F)			
Storage temperature	-40 °C to +60 °C (-40 °F to +140 °F)			
Operating humidity	20% to 80%			
Storage humidity	20% to 95%			
Ingress Protection	IP66			
Supplied accessories	Template x1, Fall-prevention rope x1, Screw (M4 x 8) x1, Wrench x1, Installation manual x1			

DIMENSIONS



Unit: mm (inches)

Distributed by

© 2011 Sony Corporation. All rights reserved.
 Reproduction in whole or in part without written permission is prohibited.
 Features and specifications are subject to change without notice.
 The values for weight and dimension are approximate.
 "SONY", "make.believe", "Effio-E", and "EXview HAD CCD II" are
 trademarks of Sony Corporation.
 All other trademarks are the property of their respective owners.