

Capture Critical Security Incidents in Clear and Bright HD Images

The SNC-RH124 and SNC-RH164 are network HD rapid dome cameras, supporting H.264, MPEG-4, and JPEG compression formats, that deliver excellent picture quality at HD resolution (1280 x 720, 30 fps) in 16:9 aspect ratio. With a total tilt range of 210° and a 360° endless high-speed panning capability, they can cover a wide monitoring area. Incorporating state-of-the-art image-enhancement technologies in a compact body, they allow users to capture clear and bright images in challenging environments.

These industry-leading new HD cameras open up a whole new world of video security applications, such as border/airport/port surveillance, town monitoring, and transportation.



SNC-RH124



SNC-RH164

HD

Network Rapid Dome Cameras **SNC-RH124** **SNC-RH164**

FEATURES

- Excellent HD picture quality at 30 fps



HD

(Actual images)

- Visibility Enhancer for sharper, clearer images and higher level of visibility



(Actual images)

- XDNR (eXcellent Dynamic Noise Reduction) for clear images without blur under low illumination.



(Actual images)

- Three codecs (H.264/MPEG-4/JPEG) and dual streaming capability

- DEPA Advanced - Intelligent Video and Audio Analytics - trigger an alarm based on user defined rules

- Intelligent Motion Detection
- Tamper Alarm
- Advanced Audio Detection*1



- Superior audio functions

- Voice alert
- Ambient sound filter
- Dynamic range compressor*1
- Echo cancellation

- Above-the-horizon tilt - 15° tilt-up, total tilt range of 210°

- High-speed 360° endless panning

- Quick-release mechanism

- hPoE support - compliant with IEEE802.3*2 (SNC-RH124)

- Local storage/wireless capability

- Support for IPv6

- ONVIF conformance



- Designed for outdoor monitoring (SNC-RH164)

- IP66 rating
- Impact-resistant polycarbonate lower dome cover
- Integrated sunshade and ventilation mechanism

*1 Available with version 1.1 or later

*2 Available with version 1.2 or later

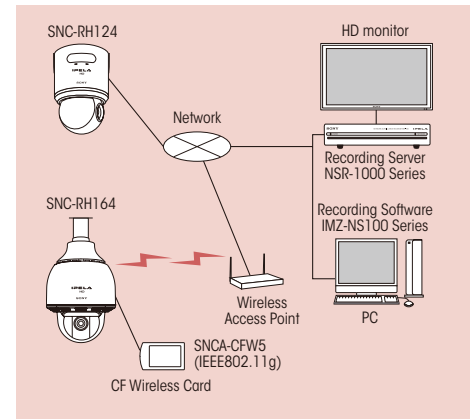
SPECIFICATIONS

	SNC-RH124	SNC-RH164
Camera		
Image device	1/3 HD CMOS	
Minimum illumination	Day : 1.9 lx (XDNR ON VE ON Slow Shutter OFF 50 IRE IP/Analog) Night : 0.17 lx (XDNR ON VE ON Slow Shutter OFF 50 IRE IP/Analog)	Day : 2.1 lx (XDNR ON VE ON Slow Shutter OFF 50 IRE IP/Analog) Night : 0.19 lx (XDNR ON VE ON Slow Shutter OFF 50 IRE IP/Analog)
Number of effective pixels (H x V)	Approx. 2 Megapixel	
Electronic shutter speed	1/2 to 1/10,000 s	
Auto gain control	Auto/Manual (-3 to +18 dB)	
Exposure control	Auto, Full auto, Shutter-priority, Iris-priority, Manual, EV compensation, Backlight compensation	
White balance mode	Auto, Indoor, Outdoor, One-push WB, Manual	
Lens type	Auto-focus zoom lens	
Zoom ratio	10x	
Horizontal viewing angle	5.4 to 50 degrees	
Focal length	f=5.1 to 51 mm	
F-number	F1.8 (wide), F2.1 (tele)	
Minimum object distance	10 mm (wide) to 800 mm (tele)	
Pan angle	360 degrees endless rotation	
Pan speed	400 degrees/s (max.)	
Tilt angle	210 degrees (with e-flip)	
Tilt speed	400 degrees/s (max.)	
Preset position	256 position	
Tour	5 preset tours*, 4 shadow tours *16 presets per one preset tour.	
Camera Features		
Day/Night *1	Yes	
Wide-D	No	
Image enhancement	Visibility Enhancer	
Noise reduction	XDNR	
Image		
Codec image size (H x V)	1280x720, 1024x576, 800x480, 768x576, 640x480, 640x368, 384x288, 320x240, 320x192	
Video compression format	H.264, MPEG-4, JPEG	
Maximum frame rate	H.264/MPEG-4/JPEG: 30 fps (1280 x 720)	
Audio		
Audio compression	G.711/G.726	
Scene analytics		
Intelligent motion detection	Yes (with built-in Post Filter)	
Intelligent object detection	No	
Advanced audio detection	Yes*2	
Network		
Protocols	IPv4, IPv6, TCP, UDP, ARP, ICMP, IGMP, HTTP, HTTPS, FTP (client/server), SMTP, DHCP, DNS, NTP, RTP/RTCP, RTSP, SNMP (MIB-2)	
ONVIF conformance	Yes	
Wireless network	Yes (With Optional*)	
Number of clients	10	
Authentication	IEEE802.1X	
Analog video output		
Signal system	NTSC/PAL	
Horizontal resolution	480 TVL	
S/N ratio	more than 50 dB	
Interface		
Ethernet	10BASE-T/100BASE-TX (RJ-45)	
Serial interface	RS-232C, RS-422/RS-485 (PELCO D protocol)	
Card slots	CF card x1	
Analog video output	Composite video (1Vp-p)	
Sensor input	x 4	
Alarm output	x 2	
External microphone input	Mini-jack (Monaural), MIC IN/LINE IN: 2.2k ohm, 2.45VDC plug-in power	
Audio line output	Mini-jack (Monaural), Max output level: 1 Vrms	
General		
Mass	Approx. 2.0 kg (4 lb 6 oz)	Approx. 4.3 kg (9 lb 8 oz)
Dimensions (ø x H)	154 x 226 mm (6 1/8 x 9 inches)	238 x 344 mm (9 3/8 x 13 5/8 inches)
Power requirements	hPoE** AC24V, DC12V	
Power consumption	25 W max.	
Operating temperature	0 to 50 °C	
Storage temperature	-20 to +60 °C	
System requirements		
Operating system	Windows XP, Windows Vista	
Processor	CPU: Intel Core2 Duo 2GHz or higher	
Memory	1GB or more	
Web browser	Microsoft Internet Explorer Ver6.0, Ver7.0	
Supplied accessories		
	Base unit, Mounting bracket, Screws, Cables (Power input, BNC, I/O, Serial), Installation manual, CD-ROM (User's guide, SNC toolbox), Mounting template, Wire rope	Top sunshade, Rotate-and-lock coupling, Waterproof covers, Bolts, Installation manual, CD-ROM (User's guide, SNC toolbox), Wire fixing belt, Cables

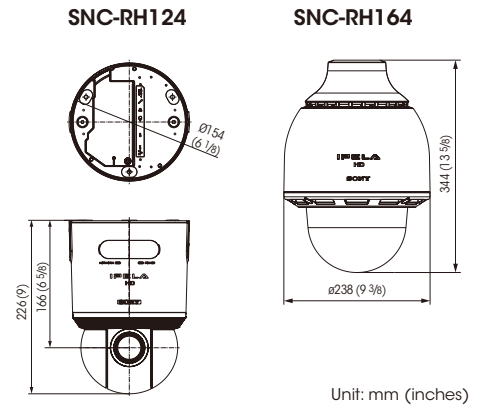
*1 Removable IR Cut Filter *2 Available with software version 1.1 or later *3 With optional SNCA-CFW5

*4 Available with software version 1.2 or later

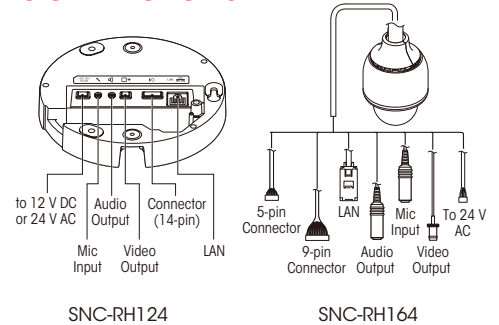
SYSTEM CONFIGURATIONS



DIMENSIONS



CONNECTORS



* SNC-RH124 and SNC-RH164 include software developed by the OpenSSL Project for use in the OpenSSL Toolkit. (<http://www.openssl.org>)

Distributed by

© 2009 Sony Corporation. All rights reserved. Reproduction in whole or in part without written permissions is prohibited. Features and specifications are as of version 1.1 or later and subject to change without notice. The values for weight and dimension are approximate. Sony is a registered trademark of Sony Corporation. IPELA is trademark of Sony Corporation. Windows, XP, and Vista are trademarks of Microsoft Corporation. Core is a trademark of Intel Corporation. All other trademarks are the property of their respective owners.