

SNC-EP580

Network PTZ Camera — E Series

SONY
make.believe

High-Quality 1080p HD PTZ Camera

- Excellent 1080p HD picture quality, supporting 30 fps at H.264 (1920 x 1080 maximum resolution)
- The “Exmor” CMOS sensor incorporated to realize high image quality and low noise
- Powerful 20x optical zoom capability



KEY FEATURES

- Excellent 1080p HD picture quality at 30fps. (H.264)
- The “Exmor” CMOS sensor realizes high quality and low noise images.
- Three codecs (H.264, MPEG-4, JPEG) and dual-streaming capability.
- 20x optical and total zoom ratio of 240x with 12x digital zoom.
- DynaView— Wide-D technology to handle various lighting conditions in a scene.

Exmor™



Normal Shutter Speed



High Shutter Speed



With Wide-D Technology
(Simulated images)

DynaView

* When using Wide-D technology, the maximum frame rate will be 15fps.

- Optical Day/Night function to switch to Day or Night mode depending on the light level.
- DEPA Intelligent Video Analytics system can be set up with a DEPA-enabled recorder.
- Powered by HPoE for simple installation.
- SD memory card slot for an on-board recording capability.*1*2
- Recording Software (RealShot Manager Lite) is bundled to start recording and monitoring instantly.
- Smartphone viewer for accessing the camera from a smartphone.*3
- ONVIF (Open Network Video Interface Forum) Version 1.02 conformance.



*1 The on-board recording function cannot be used simultaneously with the intelligent motion detection function and the tamper alarm function.

*2 In rare cases, the recorded data might disappear or be damaged. No guarantee is given against damage (including passive damage) resulting from this.

*3 For details, please contact your local Sony office.

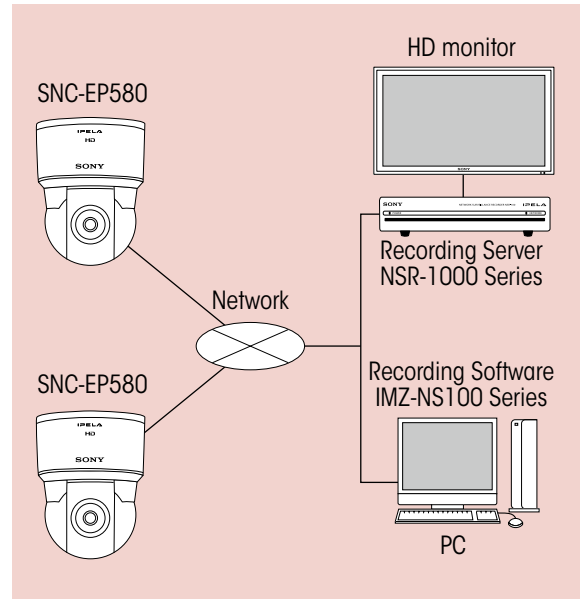
SPECIFICATIONS

SNC-EP580	
Camera	
Image device	1/2.8-type Exmor CMOS
Number of effective pixels	Approx. 3.27 Megapixel
Minimum Illumination	Color: 1.7lx (F1.6, shutter 1/30sec, AGC ON, 50IRE[IP]) B/W: 0.3lx (F1.6, shutter 1/30sec, AGC ON, Night Mode, 50IRE[IP]) Color: 1.2lx (F1.6, shutter 1/30sec, AGC ON, 30IRE[IP]) B/W: 0.18lx (F1.6, shutter 1/30sec, AGC ON, Night Mode, 30IRE[IP])
Electronic shutter speed	1/1 to 1/10,000 s
Gain control	Auto/Manual (-3 to 28 dB)
Exposure control	Full auto, Shutter priority, Iris priority, Manual
White balance mode	Auto, ATW, Indoor, Outdoor, One-push, Manual, Sodium vapour lamp
Lens type	Auto-focus Zoom Lens
Zoom ratio	Optical zoom 20x, Digital zoom 12x, Total zoom 240x
Horizontal viewing angle	55.4 to 2.9 degrees
Focal length	f=4.7 to 94.0 mm
F-number	F1.6 to F3.5
Minimum object distance	10mm (wide) to 800mm (tele)
Pan angle	340 degrees
Pan Speed	300 degrees/s (max)
Tilt angle	105 degrees
Tilt speed	300 degrees/s (max)
Preset position	256 positions
Tour	5
Camera Features	
Day/Night	Yes
Wide-D	Yes*1 (86 dB)
Noise Reduction	Yes
Image	
Codec image size (H x V)	1920x1080, 1680x1056, 1280x1024, 1440x912, 1280x960, 1376x768, 1280x800, 1280x720, 1024x768, 1024x576, 800x600, 800x480, 768x576, 720x576, 704x576, 720x480, 640x480, 640x368, 384x288, 320x240, 320x192
Video compression format	H.264, MPEG-4, JPEG
Codec streaming capability	Dual streaming
Maximum frame rate	30 fps (H.264) / 20 fps (MPEG-4) / 16 fps (JPEG)
Audio	
Audio compression	G.711/G.726
Scene Analytics	
Intelligent motion detection	Yes
Network	
Protocols	IPv4, IPv6, TCP, UDP, ARP, ICMP, IGMP, HTTP, HTTPS, FTP (client/server), SMTP, DHCP, DNS, NTP, RTP/RTCP, RTSP, SNMP (MIB-2)
ONVIF conformance	Yes (Ver. 1.02)
Number of clients	5
Authentication	IEEE802.1X
Interface	
Ethernet	10BASE-T / 100BASE-TX (RJ-45)
Card slots	SD memory card x 1 (Compatible with the SD/SDHC standards)
Sensor input	x2
Alarm output	x1
External microphone input	Mini-jack (monaural)
Audio line output	Mini-jack (monaural), Max output level: 1 Vrms
General	
Mass	1.7 kg (3 lb 12 oz) (including sealing bracket)
Dimensions (ø x H mm)	ø147.4 x 190.9 mm (5 7/8 x 7 5/8 inches)
Power requirements	HPoE (IEEE802.3at compliant), AC24V
Power consumption	Approx. 25W
Operating temperature	-5 to +50 °C (23 to 122°F)
Starting temperature	0 to 50 °C (32 to 122°F)
Storage temperature	-20 to +60 °C (-4 to +140°F)
Safety regulation	UL2044, FCC 15B Class A, IC Class A, IEC60950-1, EN55022(A)+EN55024+EN50130-4, VCCI Class A, C-Tick Class A
System Requirements	
Operating system	Microsoft Windows XP(32bit) - Professional Edition Microsoft Windows Vista(32bit) - Ultimate, Business Edition Microsoft Windows 7 (32/64bit) - Ultimate, Professional Edition
Processor	Intel Core2 Duo 2.33 GHz or higher
Memory	2 GB or more
Web browser	Microsoft Internet Explorer Ver. 6.0, Ver. 7.0, Ver. 8.0 Firefox Ver.3.5 (Plug-in free viewer only) Safari Ver.4.0 (Plug-in free viewer only) Google Chrome Ver.4.0 (Plug-in free viewer only)
Supplied Accessories	
	CD-ROM (User's guide, supplied programs), Installation manual, Ceiling bracket, Screws(2), Template, 24V AC Connector, I/O Connector

*1 When using Wide-D technology, the maximum frame rate will be 15fps.

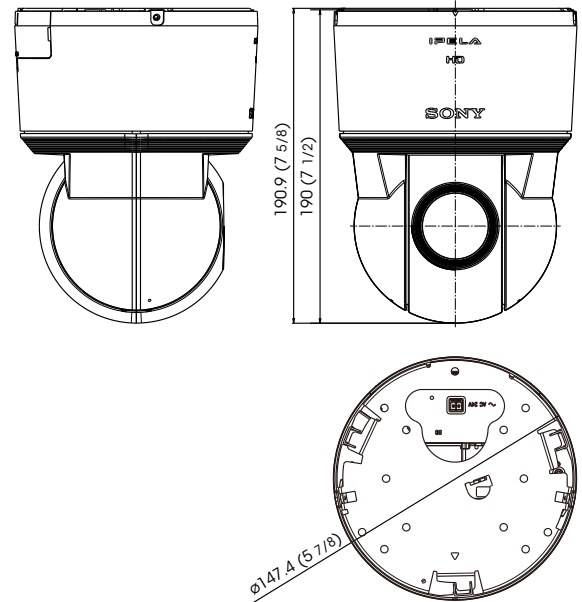
*The SNC-EP580 includes software developed by the OpenSSL Project for use in the OpenSSL Toolkit (<http://www.openssl.org/>).

SYSTEM CONFIGURATION



DIMENSIONS

Unit: mm (inches)



Distributed by

© 2011 Sony Corporation. All rights reserved.
 Reproduction in whole or in part without written permission is prohibited.
 Features and specifications are subject to change without notice.
 The values for weight and dimension are approximate.
 SONY, "make.believe", IPELA, and "Exmor" are trademarks of Sony Corporation.
 Windows, XP and Vista are trademarks of Microsoft Corporation.
 Core is a trademark of Intel Corporation.
 All other trademarks are the property of their respective owners.