

SNC-EB520

IP Fixed Camera

SONY
make.believe

High-Quality Security Camera

- SVGA (800 x 600) maximum resolution
- Three codecs (H.264, MPEG-4, JPEG) and dual streaming capability
- Exmor® CMOS sensor incorporated to deliver high image quality and low noise



Key Features

- Easy Focus function allows camera to automatically focus at the touch of a button
- Optical Day/Night function to switch to Day or Night mode depending on the light level
- Streamed Squared function allows simultaneous streaming of two 4:3 aspect ratio videos in user selectable SD resolutions. User can select the entire image or a portion of the image from the original field of view and resize to SD resolution or lower for each stream. With this feature the SNC-EB520 can replace two SD cameras installed in the same line of view.

Example



Dual Streaming



1st Streaming
SVGA video of a whole



2nd Streaming
Cropped area (up to VGA resolution)

- DEPA™ Intelligent Video Analytics system enables cameras to send not only video images, but related metadata, including object data (size and position) to the DEPA-enabled recorder. Since part of the image processing is done on the camera side, the load to the recorder can be reduced enabling camera expansion.



- Analog monitor output (phono jack) allows installer to see or adjust field of view with hand-held monitor
- Powered by PoE (Power over Ethernet) for simple installation
- ONVIF™ (Open Network Video Interface Forum) software that ensures greater interoperability.

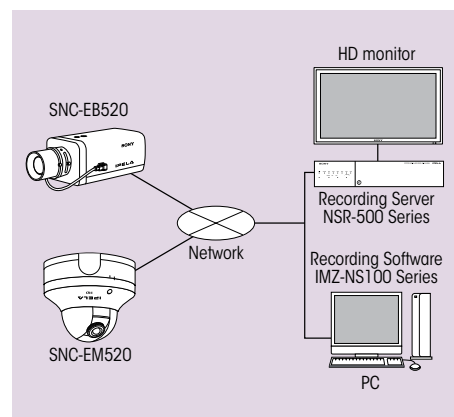


IPELA™

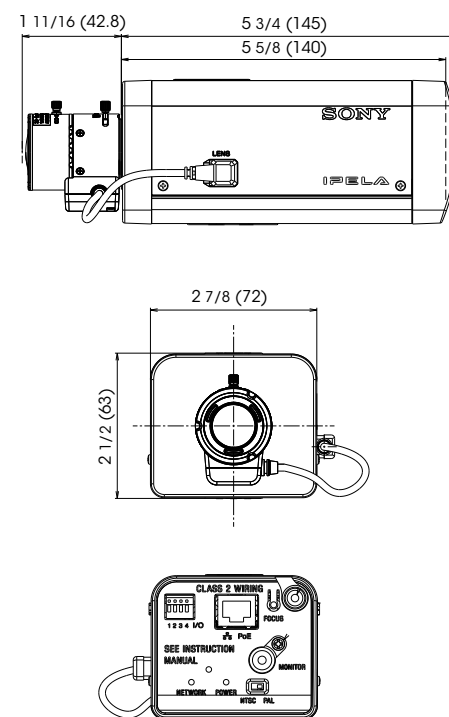
SPECIFICATIONS

SNC-EB520	
Camera	
Image sensor	1/3-type Exmor® CMOS sensor
Number of effective pixels (H x V)	Approx. 1.4 Megapixel (1329 x 1049)
Minimum illumination	Color: 0.47 lx, B/W: 0.27 lx (F1.0, shutter 1/30 sec., AGC 42dB, 50IRE by IP)
Gain control	Auto
Electronic shutter speed	1/1 to 1/10,000 s
Exposure control	Auto, EV Compensation, Auto Slow Shutter
White balance mode	Auto (ATW, ATW-PRO), Preset, One-push WB, Manual
Lens type	CS Mount Vari-focal lens
Zoom ratio	Optical 2.6x
Powered focus	Yes (Easy Focus)
Horizontal viewing angle	89.2 to 34.6 degrees
Focal length	f = 3.0 to 8.0 mm
F-number	F1.0 (Wide), F1.65 (Tele)
Minimum object distance	200 mm
Camera Features	
True Day/Night	Yes
Noise reduction	Yes
Image	
Codec image size (H x V)	800 x 600 (SVGA), 720 x 576 (PAL D1), 720 x 480 (NTSC D1), 704 x 576 (4CIF) 640 x 480 (VGA), 352 x 288 (CIF), 320 x 240 (QVGA)
Video compression format	H.264, MPEG-4, JPEG
Codec streaming capability	Dual streaming, any combination
Maximum frame rate	30 fps (H.264, MPEG-4, JPEG) @ SVG resolution (800 x 600)
Scene Analytics	
Intelligent motion detection	Yes
Network	
Protocols	IPv4, IPv6, TCP, UDP, ARP, ICMP, IGMP, HTTP, HTTPS, FTP (client only), SMTP, DHCP, DNS, NTP, RTP/RTCP, RTSP, SNMP (MIB-2)
ONVIF software	Yes
Number of clients	5
Authentication	IEEE802.1X
Interface	
Analog monitor output	Phono jack x 1 (1.0Vp-p, 75 ohms, unbalanced, sync negative) for camera setup
Network port	10BASE-T / 100BASE-TX (RJ-45)
Sensor input	x1, make or break contact selectable
Alarm output	x 1, 24V AC/DC, 1A (mechanical relay outputs electrically isolated from the camera)
General	
Power requirements	PoE (IEEE802.3af compliant)
Power consumption	5.0 W max.
Operating temperature	14 to 122°F (-10 to +50 °C)
Starting temperature	32 to 122°F (0 to +50 °C)
Storage temperature	-4 to +140°F (-20 to +60 °C)
Operating humidity	20 to 80%
Storage humidity	20 to 95%
Dimensions (W x H x D)	2 7/8 inches x 2 1/2 inches x 5 3/4 inches (72 mm x 63 mm x 145 mm) not including the projecting parts 2 7/8 inches x 2 1/2 inches x 7 7/8 inches (72 mm x 63 mm x 187.8 mm) with lens not including the projecting parts
Weight	Approx. 1 lb 7 oz (530 g) with lens
Safety regulations	UL2044, FCC Class A Digital Device, IC Class A Digital Device, IEC60950-1, EN55022(A)+EN55024+EN50130-4, VCCI Class A, AN/NZS CISPR22
System Requirements	
Operating system	Microsoft Windows XP™, Windows Vista™ (32 bit), Windows 7 (32 bit)
Processor	Intel Core2 Duo 2 GHz or higher
Memory	1 GB or more
Web browser	Microsoft Internet Explorer® Ver. 6.0, Ver. 7.0, Ver. 8.0 Firefox® Ver.3.5 (Plug-in free viewer only) Safari® Ver.4.0 (Plug-in free viewer only) Google® Chrome Ver.4.0 (Plug-in free viewer only)
Supplied accessories	
	CD-ROM (Users Guides, and supplied programs) (1). Wire rope (1). Screw M4 (1). Installation Manual (1)

SYSTEM CONFIGURATION



DIMENSIONS



Unit: inches (mm)